

Jib Crane RFQ

Save your form and email it to your sales representative or sales@factorysupply.com or print and fax it to +1(727) 347-4830

Quotation Type

Budgetary (project Funding)

Firm (funded project)

Customer Information

Company Name

Street Address

City

Contact Name

E-Mail

State

Zip Code

Phone

Cell

Project Information

What are we picking up?

What is the lifting surface like?
i.e. smooth, rough, porous, etc.

Lifting Specifications

Min Width

in

Min Length

in

Min Height

in

Min Weight

in

Max Width

in

Max Length

in

Max Height

in

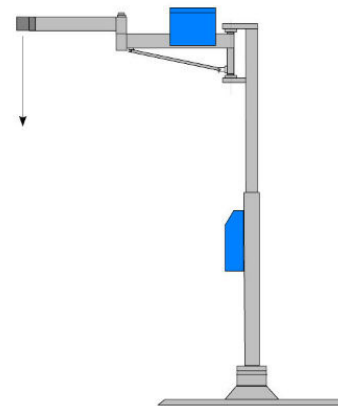
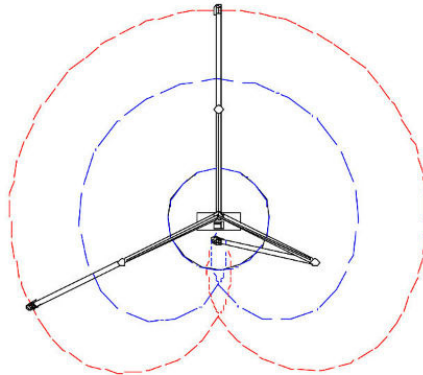
Max Weight

in

Type of Lift Required

Operational Method

Maximum Swing Arm Length



Notes



A Division of Liftsafe Group of Companies

P: +1(727) 347-4820 | TF: +1(888) 242-3045 | F: +1(727) 347-4830 | E: sales@factorysupply.com | W: www.liftsafegroup.com