

401 Series Articulating Jib Crane



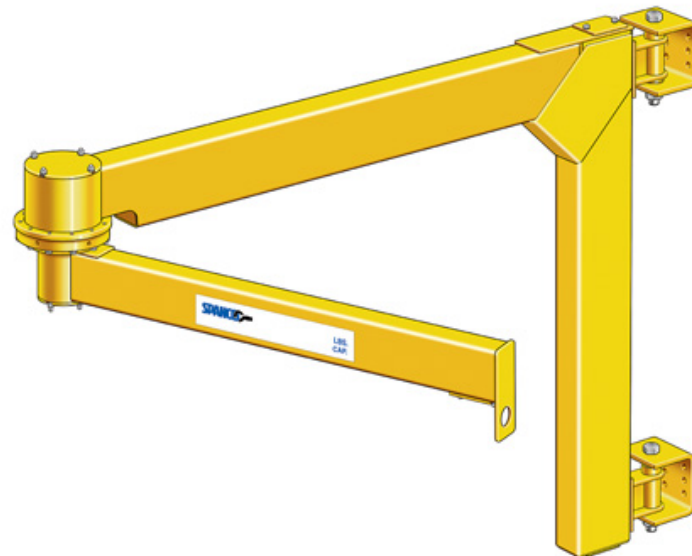
FACTORY SUPPLY INC.
3412 49th Street North
Saint Petersburg, FL 33710

Designed For

The Articulating Jib Crane offers 360-degree rotation for the outer arm and 180-degree rotation for the inner arm which is perfect for individual workstations where each worker needs complete access to one jib crane.

Movement

It also provides a clear work area without floor obstructions and requires minimal overhead clearance for installation. The Articulating Jib Crane can support nearly any type of manipulator, balancer or hoist, and can be mounted on your floor, wall, ceiling, or bridge crane to best suit your needs.



+1 (888) 242-3045



factorysupply.com



sales@factorysupply.com



3412 49th Street North
Saint Petersburg, FL 33710

Technical Specifications



FACTORY SUPPLY INC.
3412 49th Street North
Saint Petersburg, FL 33710

Part Number	Capacity	Spans	Crane Rotation
401 SERIES	150 to 2,000 lbs.	Up to 16'	180° for Inner Arm, 360° for Outer Arm



+1 (888) 242-3045



factorysupply.com



sales@factorysupply.com



3412 49th Street North
Saint Petersburg, FL 33710

Request a Quote



FACTORY SUPPLY INC.
3412 49th Street North
Saint Petersburg, FL 33710

Save your form and email it to your sales representative or sales@factorysupply.com or print and fax it to +1 (727) 347-4830

Quotation Type

Budgetary (project funding)

Firm (funded project)

Time Frame (When Do You Require Your Stand?)

Less Than 3 Months

3 to 6 Months

6 to 9 Months

9 to 12 Months

Other

Customer Information

Company Name

Street Address

City

Contact Name

E-Mail

State/Province

Zip Code/Postal Code

Phone

Cell

Where Did You Hear About Us?

Email Campaign

Social Media

Search Engine i.e. Google

Other

Additional Information

Please attach any related images or files to your email or fax.



+1 (888) 242-3045



factorysupply.com



sales@factorysupply.com



3412 49th Street North
Saint Petersburg, FL 33710