

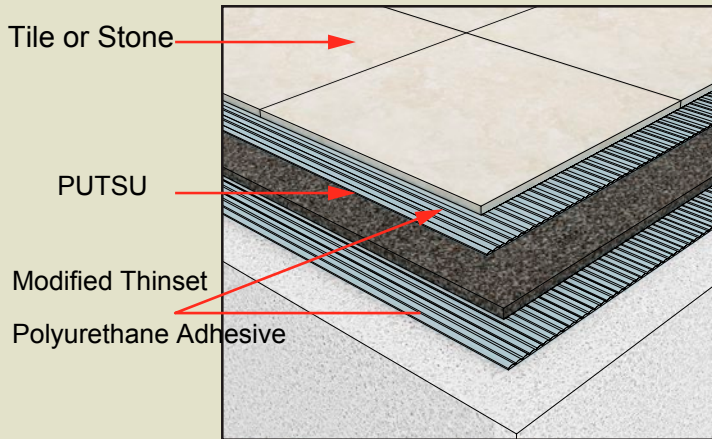
PRIVACY ULTIMATE TILE /STONE UNDERLAY

PREMIUM FLOOR SOUNDPROOFING

FLOOR UNDERLAYMENT THAT WILL
IMPROVE IIC AND STC RATINGS

EASY INSTALL WITH APPROVED ADHESIVE

GREEN PRODUCT, MADE FROM 93% POST-
CONSUMER RECYCLED CONTENT



Privacy Ultimate Tile/Stone Underlay™ is applied with urethane adhesive. Finished floor is installed directly on the underlay with modified thinset- no CMU required.

Simple to install product for all stone and tile floors, that will meet IIC requirements. Floor Score Certified, eligible for LEED points, and approved for use in all commercial or residential projects.



SOUND [ISOLATION] COMPANY

Soundproofing Made Simple

(888) 666-5090 | Fax: (704) 504-1115
info@soundisolationcompany.com
www.soundisolationcompany.com

Privacy Ultimate Tile/Stone Underlay™

Introducing Privacy Ultimate Tile/Stone Underlay™, the most effective and longest performing underlayment for use under hard floor coverings. Privacy Ultimate Tile/Stone Underlay™ can be used over any sub floor to create truly measurable footstep noise reduction. By installing a resilient layer directly below ceramic and stone floors, the actual vibration from footsteps is captured before it reaches the structure.

Privacy Ultimate Tile/Stone Underlay™ will not absorb water, preventing rot, mold, mildew and shrinkage. PUTSU requires no concrete backerboard, saving time and money.

Among the many benefits derived from this truly remarkable product:

- ▶ You will get a higher IIC Rating (footstep blocking)
- ▶ You will get a higher STC Rating (sound blocking)
- ▶ Finished floor will feel softer under foot
- ▶ Requires no mechanical fasteners or tape

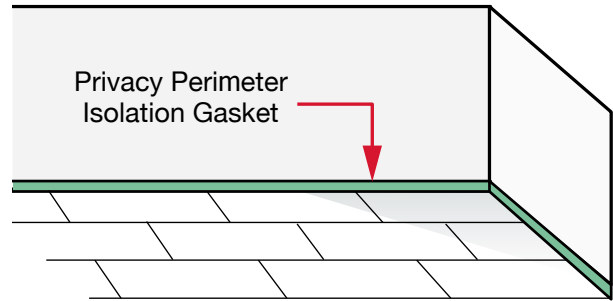
Solve your noise problem. Call now to get it right the first time 888-666-5090

With Sound Isolation Company you will get the help you need: expert design, product selection and installation instruction. We have the

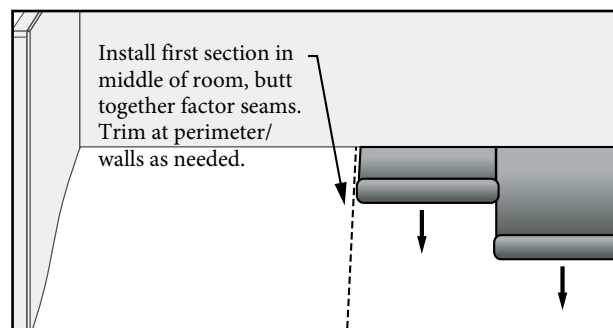
PRIVACY ULTIMATE TILE/STONE UNDERLAY™ INSTALLATION GUIDE

Subfloor must be plywood, not OSB. Privacy Eco Urethane Adhesive is required to install underlay

1 Install Privacy Perimeter Isolation Strip™ along all walls and any protrusions, flush to floor and tall enough to meet with finished floor

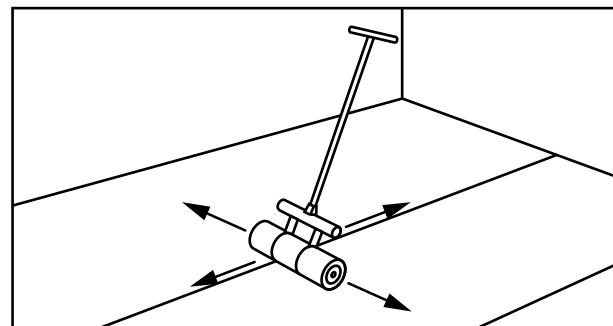


2 Create chalk line at center of room and install first section of PUTS using urethane adhesive with factory edges butted together; do not overlap seams. Trimming takes place at walls. Apply only enough Privacy Adhesive to cover area that can be worked in 20 minutes.



Use 50 lb. roller to insure a complete bond. Roll in both directions.

3 **Prior to installing finished floor, apply a flash coat of thinset to underlay and allow to dry completely. Flexible grout is required to complete the installation**



4 Do not trim perimeter gasket until tile floor has been completely installed. Trim level with with tile and caulk at entire perimeter.

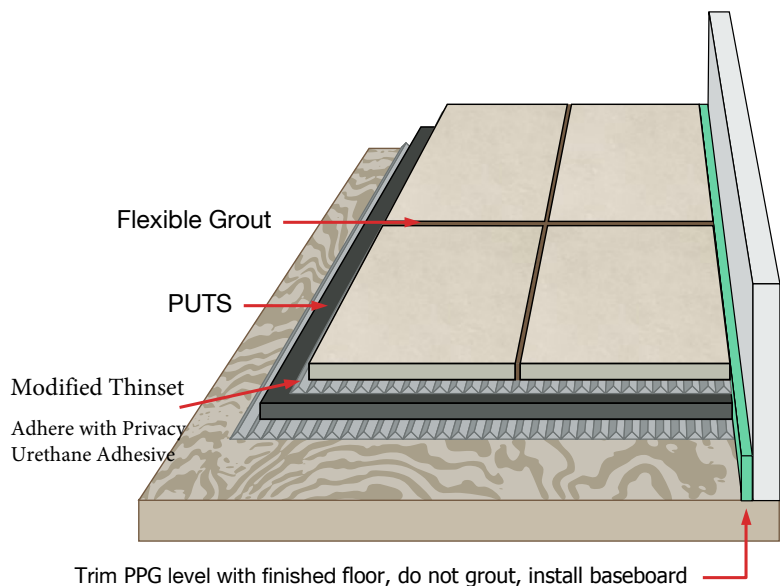
PUU can be used over radiant heat systems, or below min. 1" thick LWC

Roll Sizes In-Stock

3mm	4' x 40'	52 lbs
5mm	4' x30'	90 lbs
10mm	4' x15'	90 lbs
12mm	4' x15'	108 lbs

DISCLAIMER: This installation guide represent generally accepted procedures for successful installation. Sound Isolation Company reserves the right to alter these suggestions and encourages contact with the factory to review any possible modification to this guide prior to commencing installation.

PRIVACY ULTIMATE TILE/STONE UNDERLAY™ is a trademark of Sound Isolation Company™



Trim PPG level with finished floor, do not grout, install baseboard

PRIVACY ULTIMATE TILE UNDERLAY™

Privacy Ultimate Tile Underlay™ is manufactured in the US from 92% recycled tire rubber. Backed by over 100 Independent Lab and Field Test, Eligible for up to 5 LEED Points, and Floor Score Certified, you will greatly improve IIC values in your project. Privacy Ultimate Tile Underlay™ is available in thicknesses from 2-15mm and approved for use under ceramic tile, stone, and large format products

Distributed nationwide by Sound Isolation Company. Privacy Ultimate Tile Underlay™ will provide measurable soundproofing every time it is used.

Call us today to discuss your project 888-666-5090



Floor Structure	Ceiling	Finish	PRIVACY ULTIMATE UNDERLAY™	IIC	STC
6" Concrete Slab	No	Bare	None	31	55
6" Concrete Slab	No	Tile	PUU-3	54	53
6" Concrete Slab	Yes	Tile	PUU-3	71	72
6" Concrete Slab	No	Tile	PUU-5	51-F	
6" Concrete Slab	No	Tile	Delta IIC 3mm	16	
6" Concrete Slab	No	Tile	Delta IIC 5mm	19	
6" Concrete Slab	No	Tile	Delta IIC 10mm	22	
6" Concrete Slab	Yes	Wood	PUU-10	51	54
6" Concrete Slab	No	Wood	5mm	44-F	
6" Concrete Slab	No	Wood	Delta IIC 3mm	25	
6" Concrete Slab	Yes	Wood	Delta IIC 5mm	24	
6" Concrete Slab	Yes	Wood	Delta IIC 10mm	24	

Other test available upon request.

Product	Thickness	Roll Dimension	Weight/Roll	Type A Hardness (ASTM D2204)
PUU-2	2mm (1/8")	4'x75'	115 lbs.	40 durometer
PUU-3	3mm (1/8")	4'x25'	105 lbs.	40 durometer
PUU-5	5mm (1/4")	4'x30'	105 lbs.	40 durometer
PUU-10	10mm (3/8")	4'x15'	100 lbs.	40 durometer
PUU-12	12mm (1/2")	4'x15'	125 lbs.	40 durometer
PUU-15	15mm (5/8")	4'x15'	150 lbs.	50 durometer



so quiet, it's sic™

2900 Westinghouse Blvd. Suite 106 ■ Charlotte, NC 28273

Phone: (704) 504-1127 ■ Toll Free (888) 666-5090 ■ Fax (704) 504-1115 ■ www.soundisolationcompany.com