

RESILMOUNT

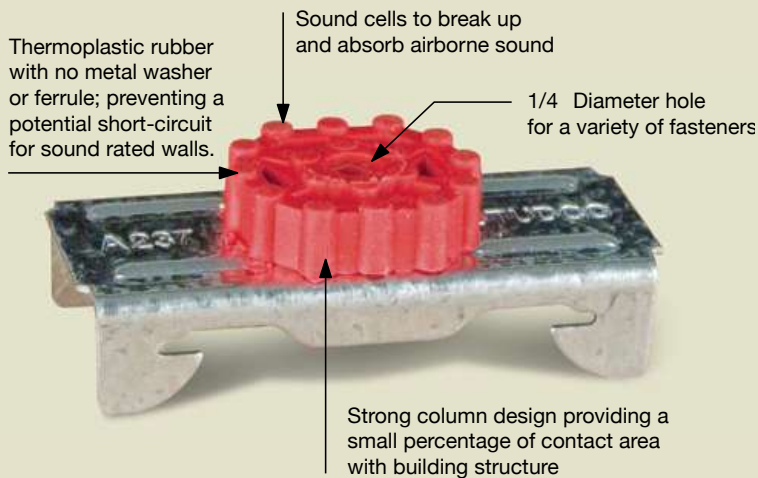
SOUND ISOLATION SOLUTIONS

PROVEN, RELIABLE SOUND CONTROL
 COST EFFECTIVE SOLUTION FOR WALLS/CEILINGS
 MULTI-FAMILY, SINGLE FAMILY, HOME THEATER

STC
63



Model A237R



Unique patented thermoplastic rubber with sound cell design

Sound Isolation Company and Studco Building Systems have released a new range of patented sound isolation products for your walls and ceilings.

Acoustic control for airborne sound has become a major issue for architects and interior designers for high density apartment living, condos, townhouses, studios & theaters.

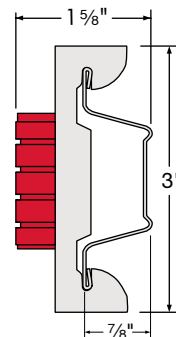
Resilmount soundproofing clips are compatible with standard drywall furring channel available locally. The common practice of using metal channel to improve wall and ceiling STC is dramatically improved with Resilmount by at least 7 STC points. Resilmount clips are the most cost effective noise control system because they isolate the structure from the interior partition.



Install on metal using #10 x 1 5/8" self-tapping screw



Use with 7/8" or 1 1/2" furring channel



US Distributor of all Resilmount Products

- ▶ Dead load 55 lbs each clip (max)
- ▶ Spacing of clip is 48" o.c. (max)
- ▶ Simple installation with screws or masonry anchors to any substrate.
- ▶ Use with 7/8" or 1 1/2" furring channel

Nationwide Distribution of Resilmount Clips

SOUND [ISOLATION] COMPANY

2900 WESTINGHOUSE BLVD. SUITE 106
 CHARLOTTE, NC 28273
 704 / 504 / 1127 PH
 704 / 504 / 1115 FX
 888 / 666 / 5090 TOLL FREE
 WWW.SOUNDISOLATIONCOMPANY.COM



MODEL A237R



MODEL A96R



MODEL A237

www.soundisolationcompany.com



RESILMOUNT A96R

- ▶ Specialty brackets available for large project, with short lead times
- ▶ Model A96R offers a minimal drop in ceiling construction; as little as 1/4"
- ▶ Elimination of both airborne (STC) and footstep (IIC) noise is provided by Resilmount clips
- ▶ Achieve Luxury Ratings for your project, all in one easy step

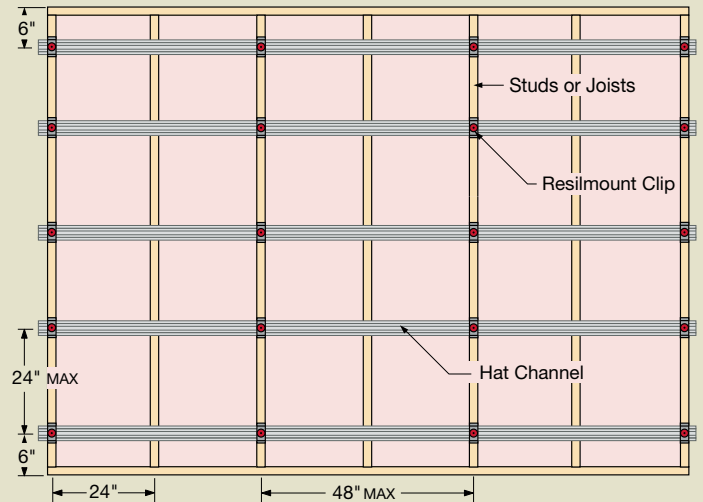
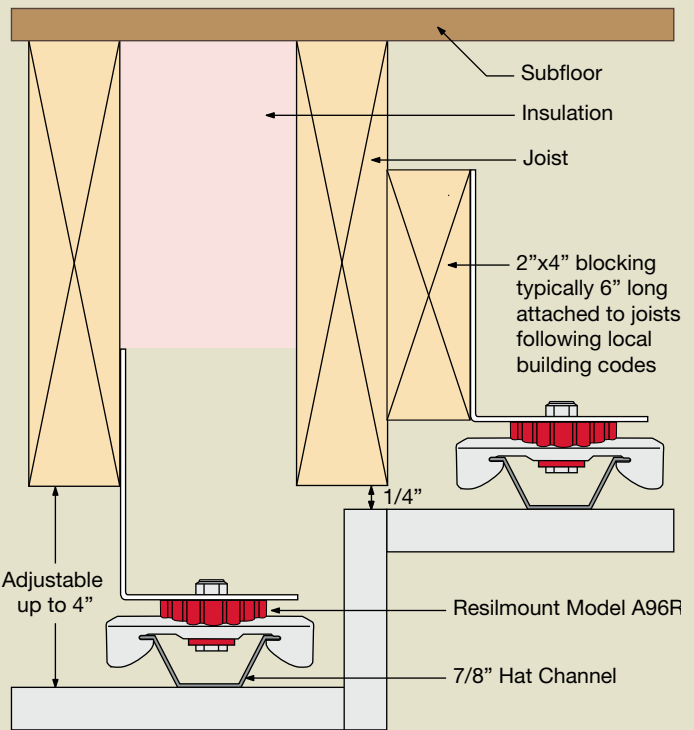


Clips are available for pick-up or shipment from:

- New York City, NY
- Charlotte, NC
- San Francisco, CA

Solve your noise problem. Call now to get it right the first time 888-666-5090

Do you need expert design, product selection and installation instruction? Sound Isolation Company has the experience you need for a partnership that will work. Call Now 888-666-5090



Wall dimensions: 12' wide x 8' tall
Clips Usage: 20 Resilmount Clips

SOUNDPROOFING ACCESSORIES

- SilenSeal Acoustical Sealant
- Electrical Box Extensions
- Sealtight Putty Pads
- Privacy Floor Gasket

PAC International

World Leader in Noise Control Solutions



RSIC 1



RSIC-1-ADM



RSIC V



RSIC-DC04

@AEC DAILY



MASTER DISTRIBUTOR

www.soundisolationcompany.com

888-666-5090

sales@soundisolationcompany.com

RSIC NOISE CONTROL SOLUTIONS

RSIC PRODUCTS

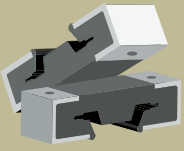
 <p>CLASSIFIED UL US RSIC-1</p>	 <p>RSIC-1 Backer</p>	 <p>RSIC-1 Edge</p>	 <p>RSIC-1 Low Profile</p>
 <p>RSIC-1 Retro</p>	 <p>RSIC-1 ADM</p>	 <p>RSIC-1.5CRC</p>	 <p>RSIC-1 TTC</p>
 <p>RSIC-1 Ext 04</p>	 <p>RSIC-SI-1 Ultra</p>	 <p>RSIC-SI-CRC</p>	 <p>RSIC-SI CRC X2 LP</p>
 <p>RSIC-WHI</p>	 <p>CLASSIFIED UL US RSIC-V</p>	 <p>RSIC-DC04</p>	 <p>RSIC-DC04 X2</p>
 <p>CLASSIFIED UL US RSIC-U RSIC-U HD</p>	 <p>RSIC-2</p>	 <p>RSIC-CWB</p>	 <p>RSIC-GDS Kit</p>

MASTER DISTRIBUTOR

www.soundisolationcompany.com

888-666-5090

sales@soundisolationcompany.com

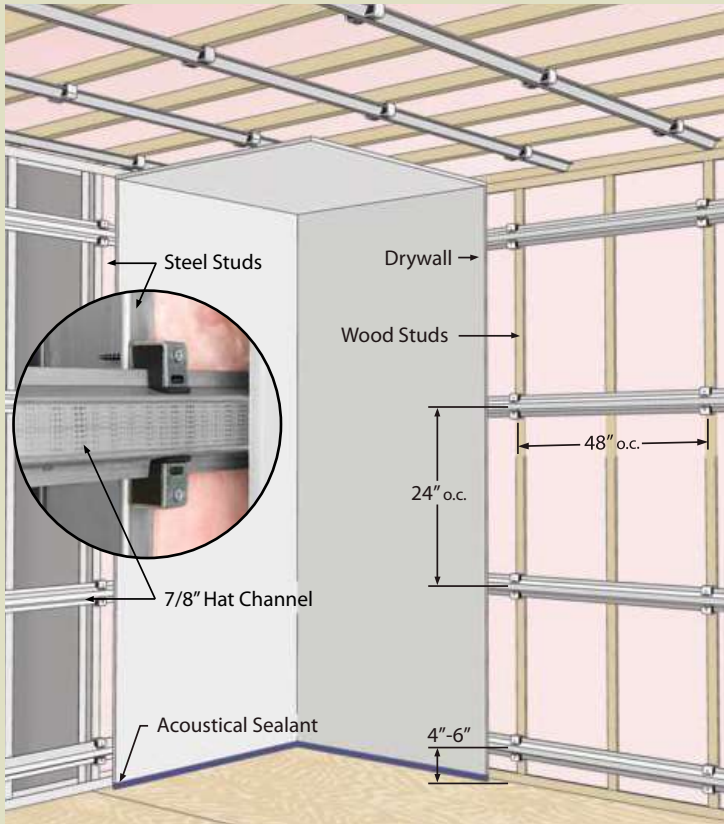
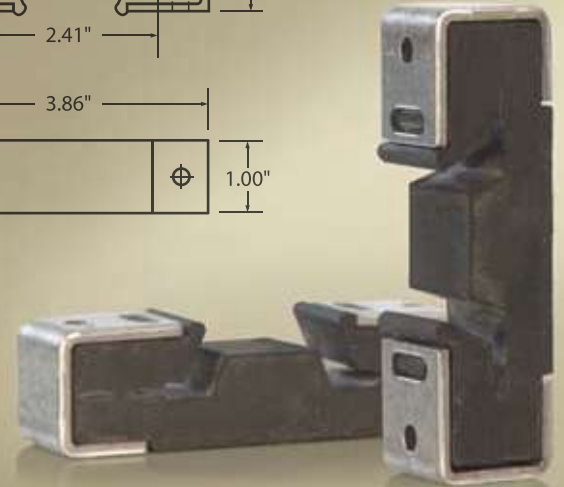
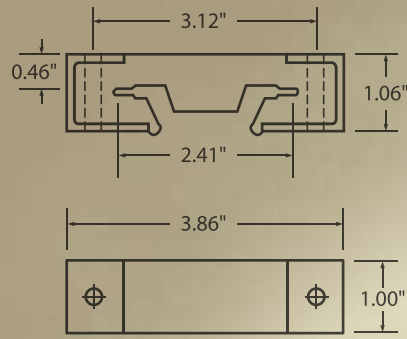


RESILIENT SOUND ISOLATION CLIPS

Soundproof Walls and Ceilings

SOUND ISOLATION CLIPS ALLOW YOU TO “FLOAT” WALLS AND CEILINGS AT THE LOWEST POSSIBLE COST

STC AND IIC RATINGS DON'T TELL THE WHOLE STORY; DECOUPLING IS THE SINGLE MOST IMPORTANT FACTOR



Sound Isolation Clips are the easy and economical way to decouple your wall and ceiling to increase performance without the cost of staggered or double stud wall construction. Benefits include higher STC and IIC results at a lower installed cost and elimination of short circuit risk.

Sound Isolation Clips dramatically improve the privacy and soundproofing of any partition.

Privacy between spaces has become the #1 customer requirement in multi-family, commercial mixed use, and even luxury home projects. People now expect peace and quiet in the home and workplace.

Average performance will not be acceptable in most cases; minimal construction is a thing of the past. Sound Isolation Company has the right products and the expertise to make the creation of privacy a simple, reliable practice with no guesswork.

Soundproofing a ceiling or wall has never been so cost efficient or simple. You won't need any exotic sheetrock or tools. Installation is no different than what is being done already; the real difference is that this method provides a true quiet solution.

How & Why Sound Isolation Clips Work

Sound Isolation Clips break the mechanical connection. Sheetrock is attached to the channel, not the structure; measurable low frequency noise blocking requires this “float”. A one-inch larger airspace, filled with standard fiberglass insulation adds to the STC performance at all frequencies. Sound isolation clips are attached with drywall screws. Locally available 7/8” hat channel, off-the-shelf sheetrock, mud and tape are the only materials you need to complete the job.

SOUND [ISOLATION] COMPANY

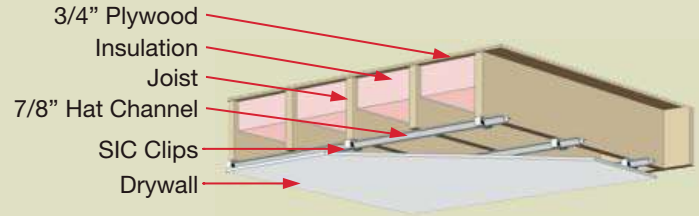
2900 WESTINGHOUSE BLVD. SUITE 106
 CHARLOTTE, NC 28273
 704 / 504 / 1127 PH
 704 / 504 / 1115 FX
 888 / 666 / 5090 TOLL FREE
 WWW.SOUNDISOLATIONCOMPANY.COM

Call now to soundproof your walls/ceiling. (888) 666-5090

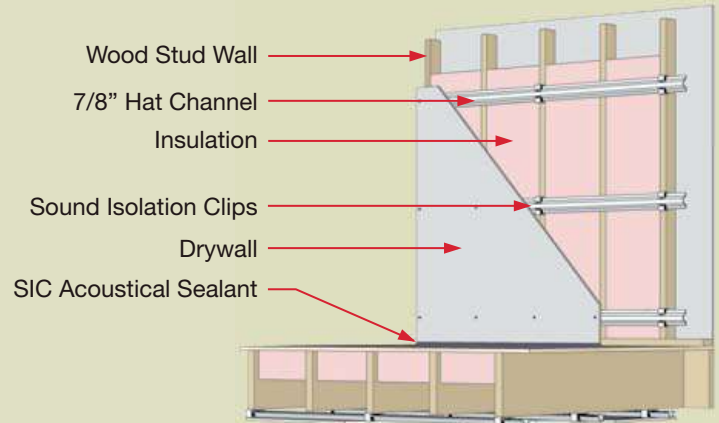
www.soundisolationcompany.com



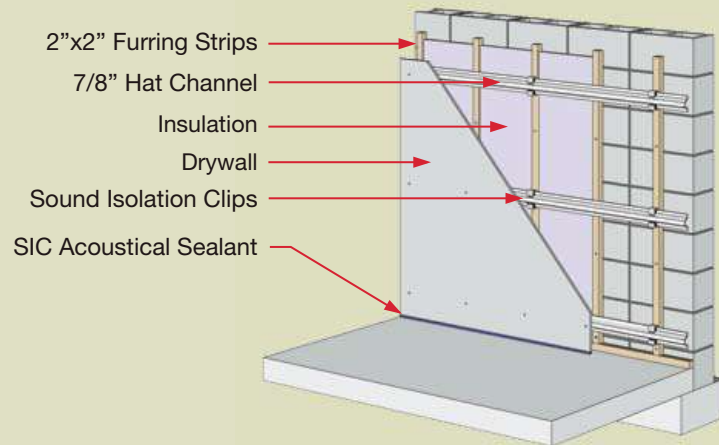
Floated Ceiling Assembly



Multi-Family, Commercial and Residential Floor/Wall Assembly



Masonry Walls Assembly



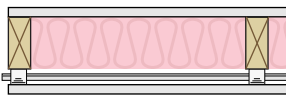
Sound Isolation Clips are the best value for proven, reliable soundproofing results in any wall or ceiling application. Call us today for a quote on your job (888) 666-5090

Benefits of Sound Isolation Clips

- ▶ Used with everyday building products, which are available locally at your home center.
- ▶ Better performance and lower installed cost than any other soundproofing product.
- ▶ No need for double stud, staggered stud, or double wall assemblies.
- ▶ No chance of short circuits that are commonly found in resilient channel installations.
- ▶ Available for immediate shipment to your jobsite.

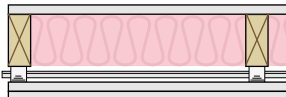
Lab Tested Assemblies:

Wall Assembly 1 - STC: 57



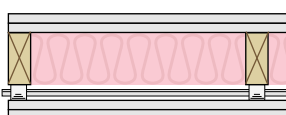
Wood stud partition, 2x4 16" O.C., R-19 insulation, and one layer of 5/8" gypsum on each side. Add Sound Isolation Clips (SIC Clips) and 7/8" hat channel on one side only.

Wall Assembly 2 - STC: 61



Adding one more layer of drywall on the Sound Isolation Clips side improves your sound isolation performance by 50%.

Wall Assembly 3 - STC: 64



One additional layer of 5/8" sheetrock, opposite SIC Clips side, outperforms double wall construction.