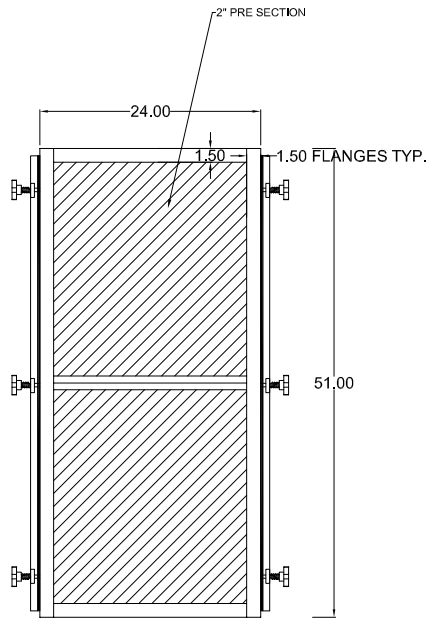
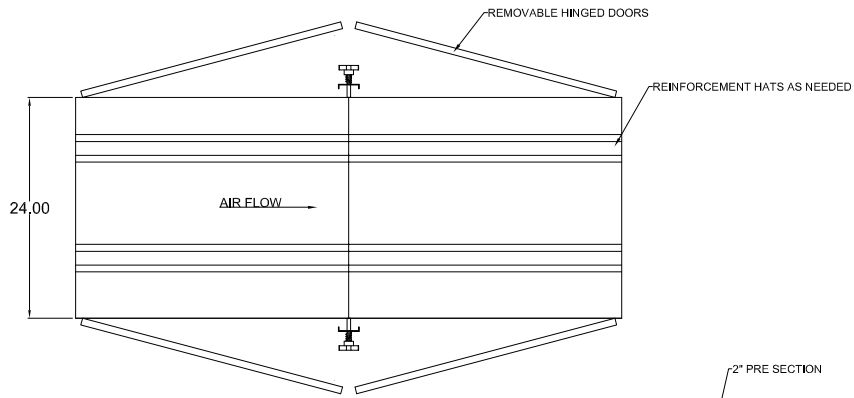
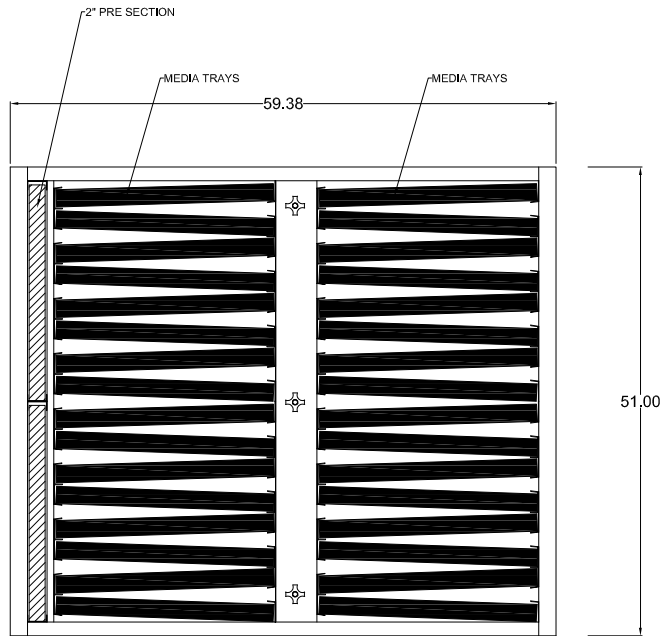


TOP VIEW



INLET VIEW



SIDE VIEW TRAY LOADING

SPECIFICATIONS

DIMENSIONS ARE FOR REFERENCE ONLY
DO NOT USE FOR CONSTRUCTION UNLESS MARKED APPROVED

DIMENSIONS: 51H X 24W X 59 3/8 D +/- 1/8

UNIT HOLDS:

- 2- 23 3/8 X 23 3/8 X 1 3/4 PRE FILTERS
- 16- 23 11/16 X 23 11/16 X 1 7/8 TRAYS FILLED WITH CARBON
- 16- 23 11/16 X 23 11/16 X 1 7/8 TRAYS FILLED WITH CARBON

MADE FROM ALUMINIZED STEEL 16. GA
STITCH WELLED CONSTRUCTION
ALL SEAMS CAULKED

SIZED FOR 4000 CFM

TITLE:

2X1 2P-2T-2T

SCALE: NTS	DWG NO.		
DRAWN: MLF	APPROVED:	DATE:	5/17/17
CHECKED:	CUSTOMER:		

PURE EFFECT