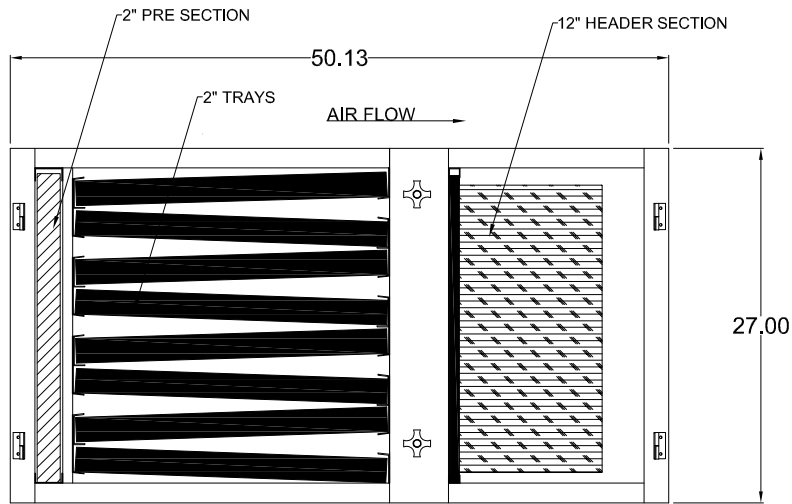
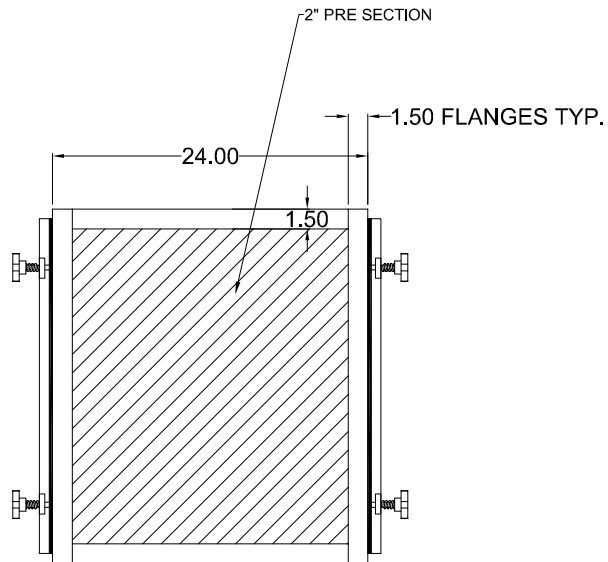
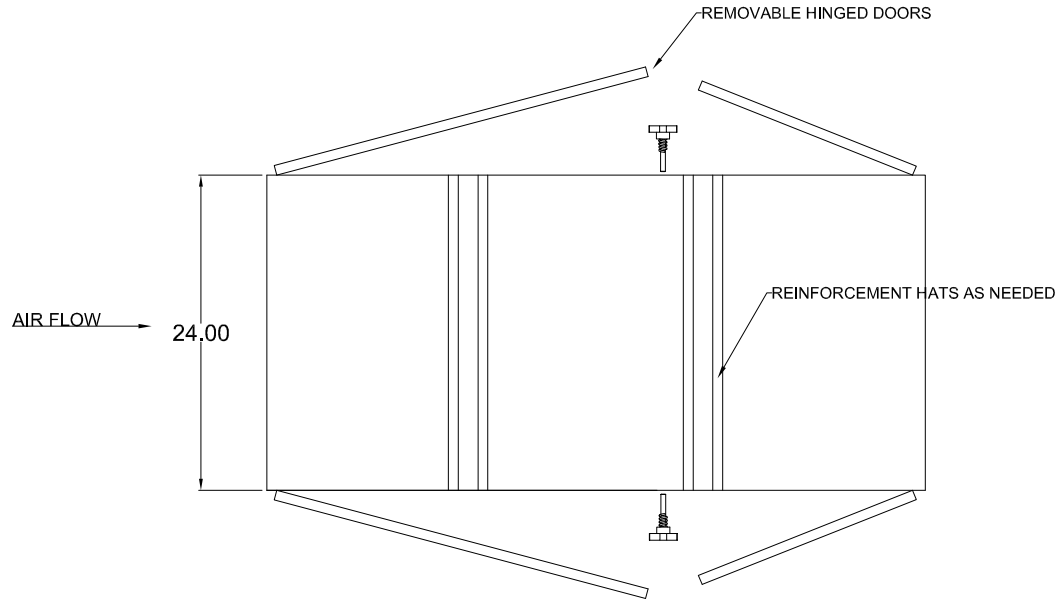


TOP VIEW



SIDE VIEW TRAY LOADING

INLET VIEW

SPECIFICATIONS

DIMENSIONS ARE FOR REFERENCE ONLY
DO NOT USE FOR CONSTRUCTION UNLESS MARKED APPROVED

27H X 24W X 50 1/8 D +/- 1/8

UNIT HOLDS:

- 1- 23 3/8 X 23 3/8 X 1 3/4 PRE FILTER
- 8- 23 11/16 X 23 11/16 X 17/8 MEDIA TRAYS
TRAYS FILLED WITH CARBON
- 1- 23 3/8 X 23 3/8 X 11 1/2 HEADER FILTER

MADE FROM ALUMINIZED STEEL 16. GA
STITCH WELLED CONSTRUCTION
ALL SEAMS CAULKED

SIZED FOR 2000 CFM

TITLE:

1X1 2P-2T-12HD

SCALE: NTS	DWG NO.		
DRAWN: MLF	APPROVED:	DATE: 2/12/18	
CHECKED:	CUSTOMER:		

PURE EFFECT