

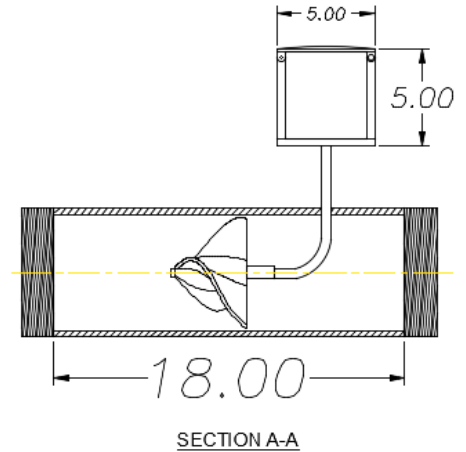


PE-FLOWMETER-6INCH

Product Specification Sheet

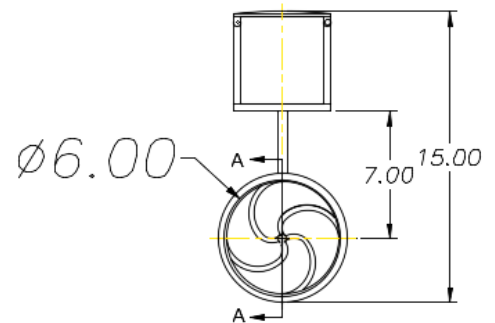
DESCRIPTION

- Pure Effect's PE-FLOWMETER-6inch is a propeller style flowmeter that is dependable and economical and works well in diverse water treatment system applications.
- Designed to operate in real-world environments, these flowmeters can measure turbulent flows and fluids containing debris, suspended solids, and other contaminants with an accuracy superior to other technologies.
- These flowmeters offer a simple and efficient design. They are easy to install, use, and maintain.



FEATURES

- Easy to install and operate
- Easy to service in the field
- Accuracy of +/- 2% of reading
- Repeatability of +/- 0.25%
- Self-cleaning design
- Instantaneous flow rate



TECHNICAL

- 6" diameter pipe flow meter
- Flow range: 90-1,200 gpm
- Approximate head loss at max flow: 17"
- Max operating temperature: 160° F
- Max pressure: 150 psi

Adhere to all applicable health & safety regulations when using this product.