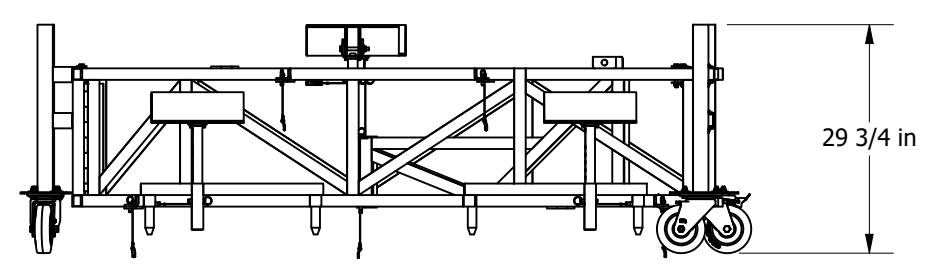
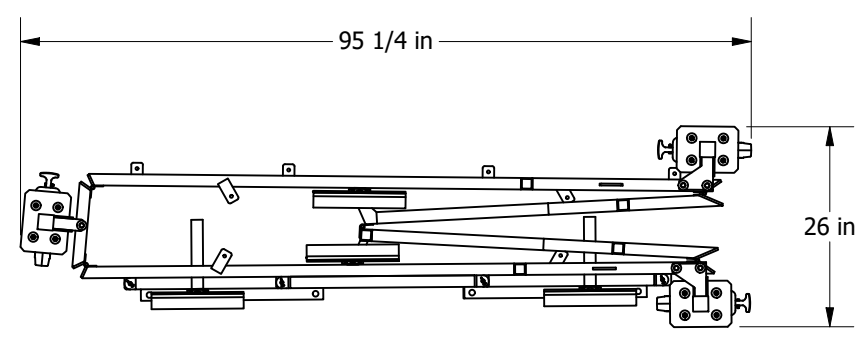
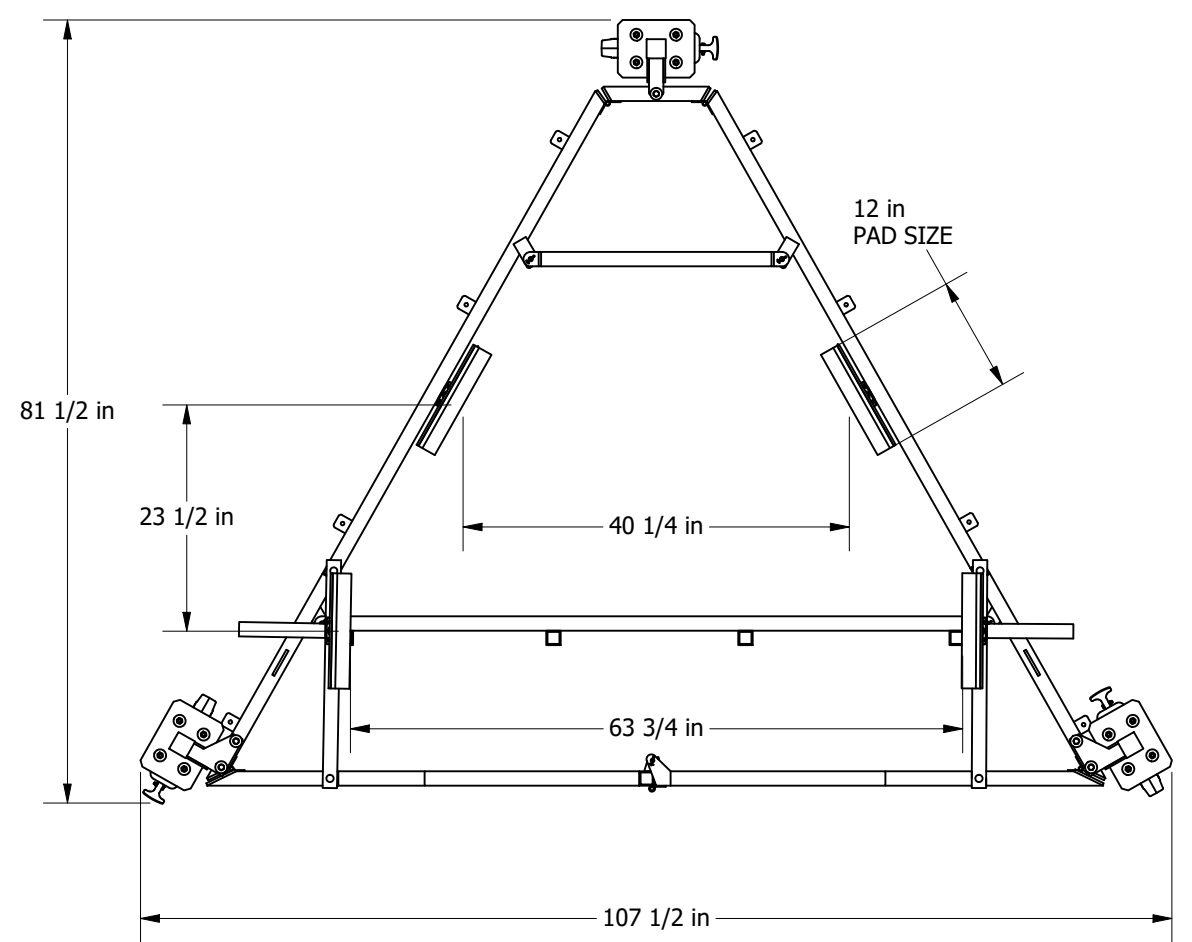
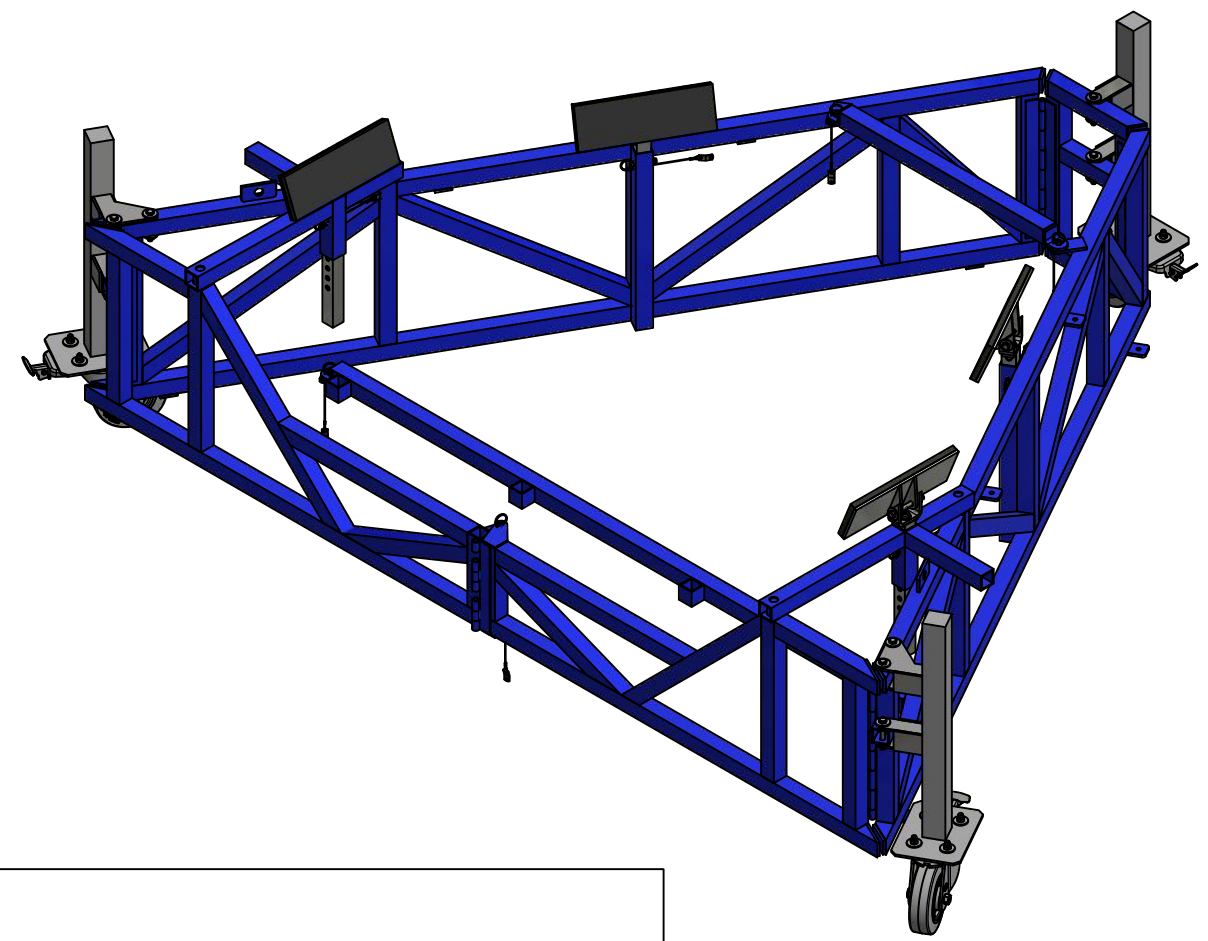
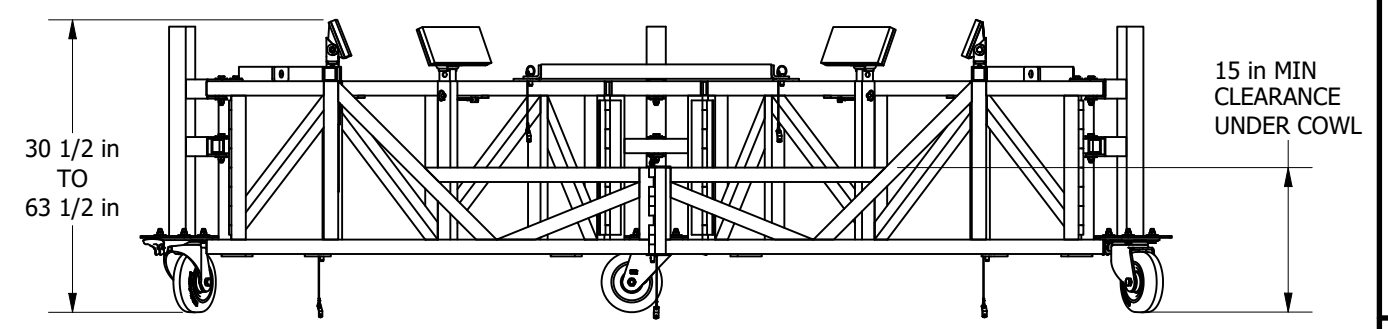


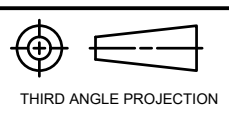
REVISION HISTORY			
REV	DESCRIPTION	DATE	APPROVED
AA	ISSUED FOR FABRICATION	9/23/2019	R.B



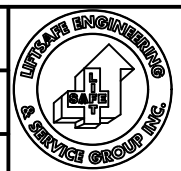
\*SHOWN COLLAPSED



THIS DRAWING AND THE INTELLECTUAL INFORMATION ON THIS DRAWING ARE THE PROPERTY OF LIFTSAFE ENGINEERING & SERVICE GROUP INC. AND MAY NOT BE REPRODUCED OR USED IN ANY MANNER WITHOUT OUR WRITTEN CONSENT



Tolerance Unless Noted Otherwise					
ANGLE	FRACTION	DECIMAL PLACES	INCHES	MILLIMETRES	
± 12°	± 1/16	.XXX	± .005	± 0.1	
		.XX	± .010	± 0.3	
		.X	± .020	± 0.5	

Part No. : <b>DF071560-01</b>		LIFTSAFE ENGINEERING & SERVICE GROUP INC.		
Materials:		<a href="http://www.liftsafeinspections.com">www.liftsafeinspections.com</a> T. (519) 896-2430/1-800-977-2005, Email: info@liftsafeinspections.com F. (519) 896-2085		
Weight: 150 lb	Customer & Location:	Project: DF071560-01 NOSE COWL DOLLY		
Work Order No:	Checked By: R.B.	Date: 10/23/2019	Description: DF071560-01 NOSE COWL DOLLY	
	Designed By: E.D.	Date: 2/26/2016	SIZE: B	SCALE: 1/20
	Drawn By: E.D.	Date: 10/23/2019	SHEET 1 OF 1	DWG NO: <b>DF071560-01</b>
				REV AA