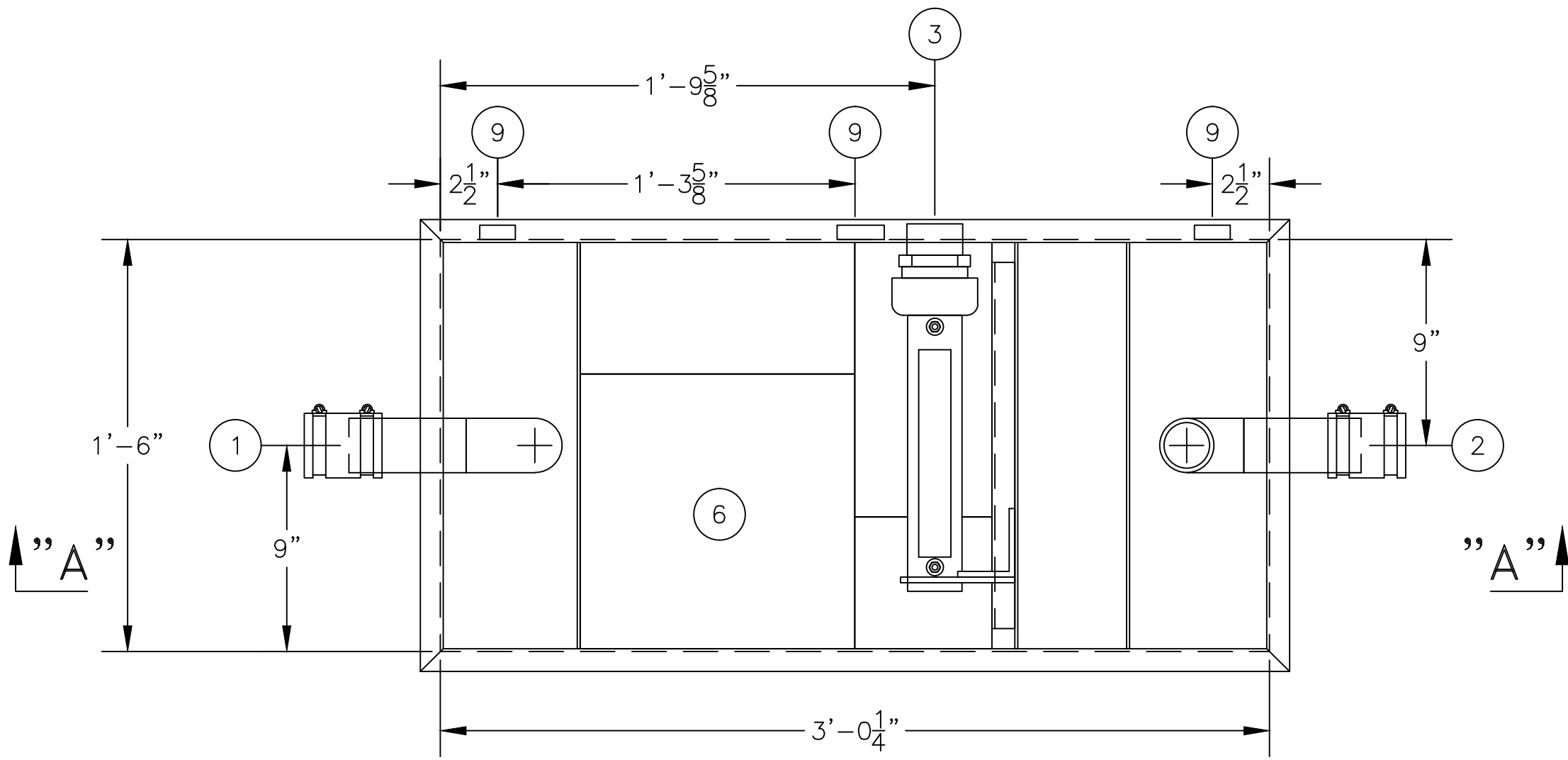
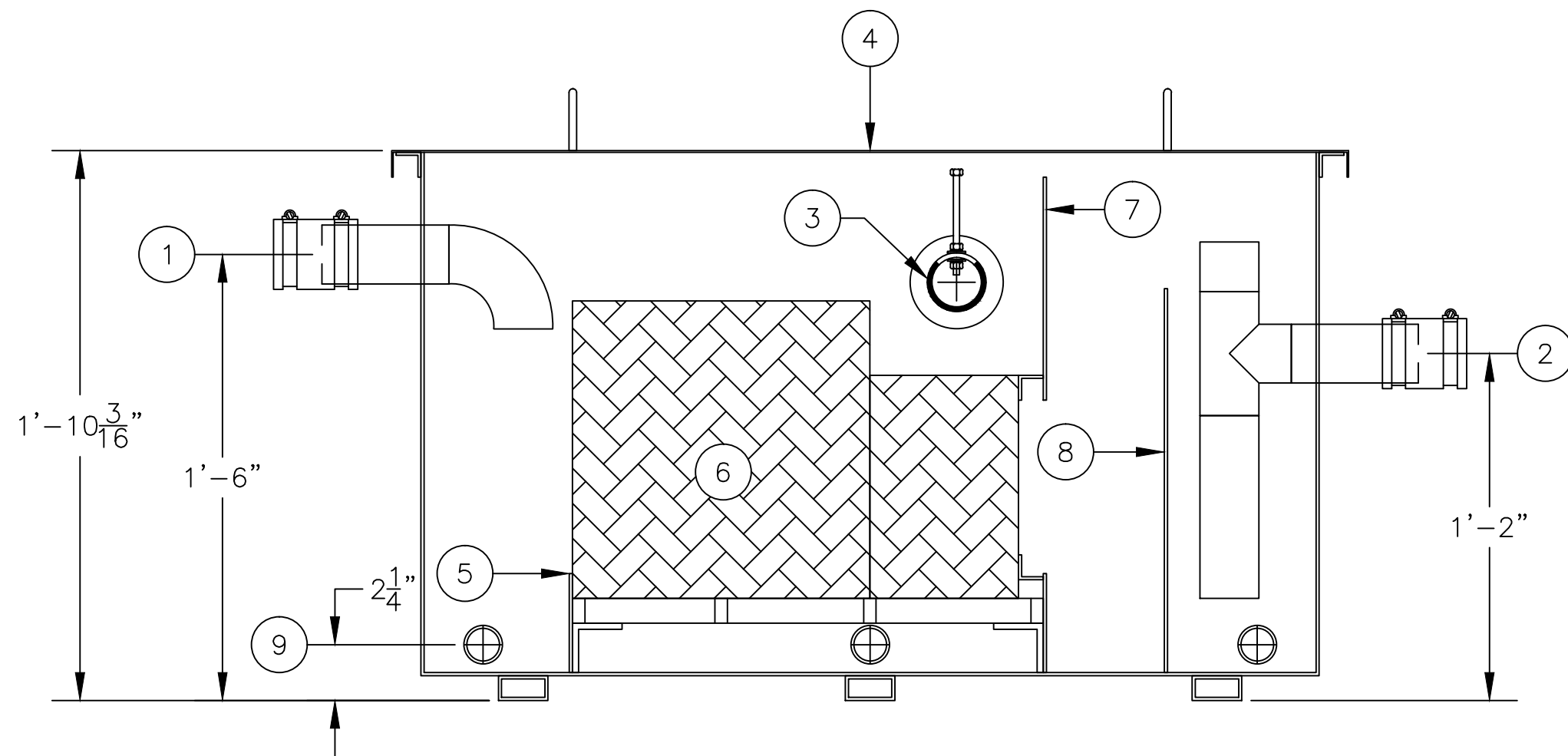


### ASSEMBLY LIST

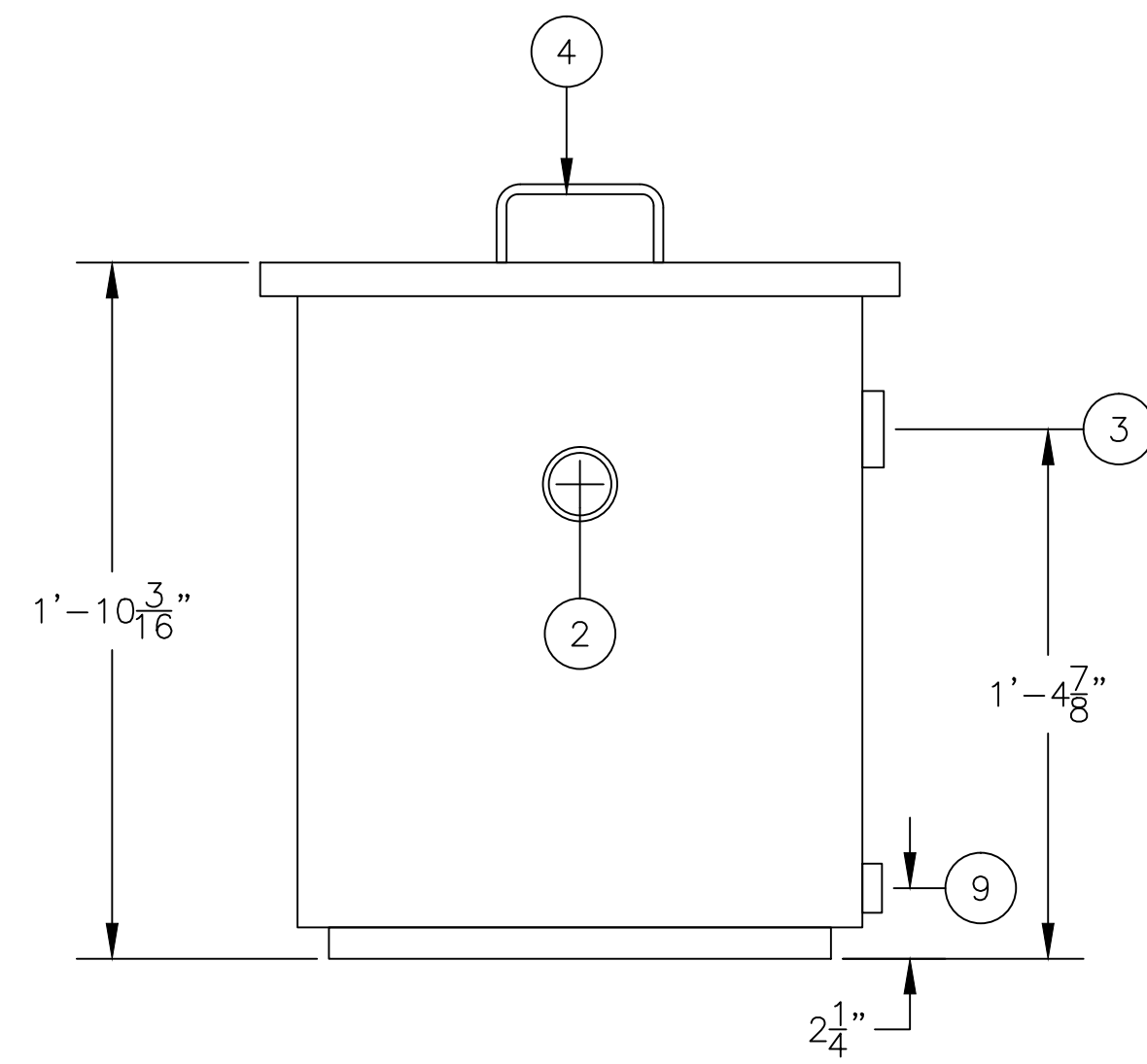
- ① 2"Ø INLET, PIPE STUB W/ FLEX CONNECTOR
- ② 2"Ø OUTLET, PIPE STUB W/ FLEX CONNECTOR
- ③ 2" ROTARY PIPE SKIMMER W/ OIL OUTLET
- ④ REMOVABLE LID
- ⑤ INLET BAFFLE
- ⑥ COALESCING MEDIA
- ⑦ OIL RETENTION BAFFLE
- ⑧ WEIR WALL
- ⑨ 1"Ø DRAIN CPLG., FPT W/ PLUG(3 REQ'D.)



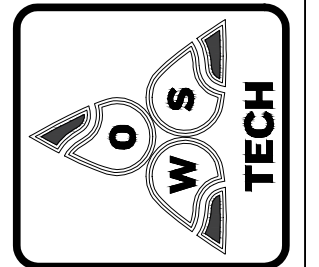
PLAN W/O LID



SECTION "A-A"



END VIEW



**OIL WATER SEPARATOR**  
**TECHNOLOGIES, LLC**  
 1109 25TH STREET W.P.B., FL. 33407

THIS DRAWING AND SPECIFICATION IS THE PROPERTY OF OWS TECHNOLOGIES, 1109 25TH STREET WEST PALM BEACH, FL. 33407. IT IS TO BE USED ONLY FOR THE PROJECT AND SHALL NOT BE REPRODUCED WITHOUT WRITTEN PERMISSION.

SCALE: 1=6  
 DATE: 7/30/13

DRAWN BY: TMB  
 CHECKED BY:

MODEL: SA-LF-SS-5 G.P.M.  
 OWS TECHNOLOGIES  
 OWS JOB No. -  
 DRAWING No. 355044  
 FILE: SA-LF-SS-5 7/30/13