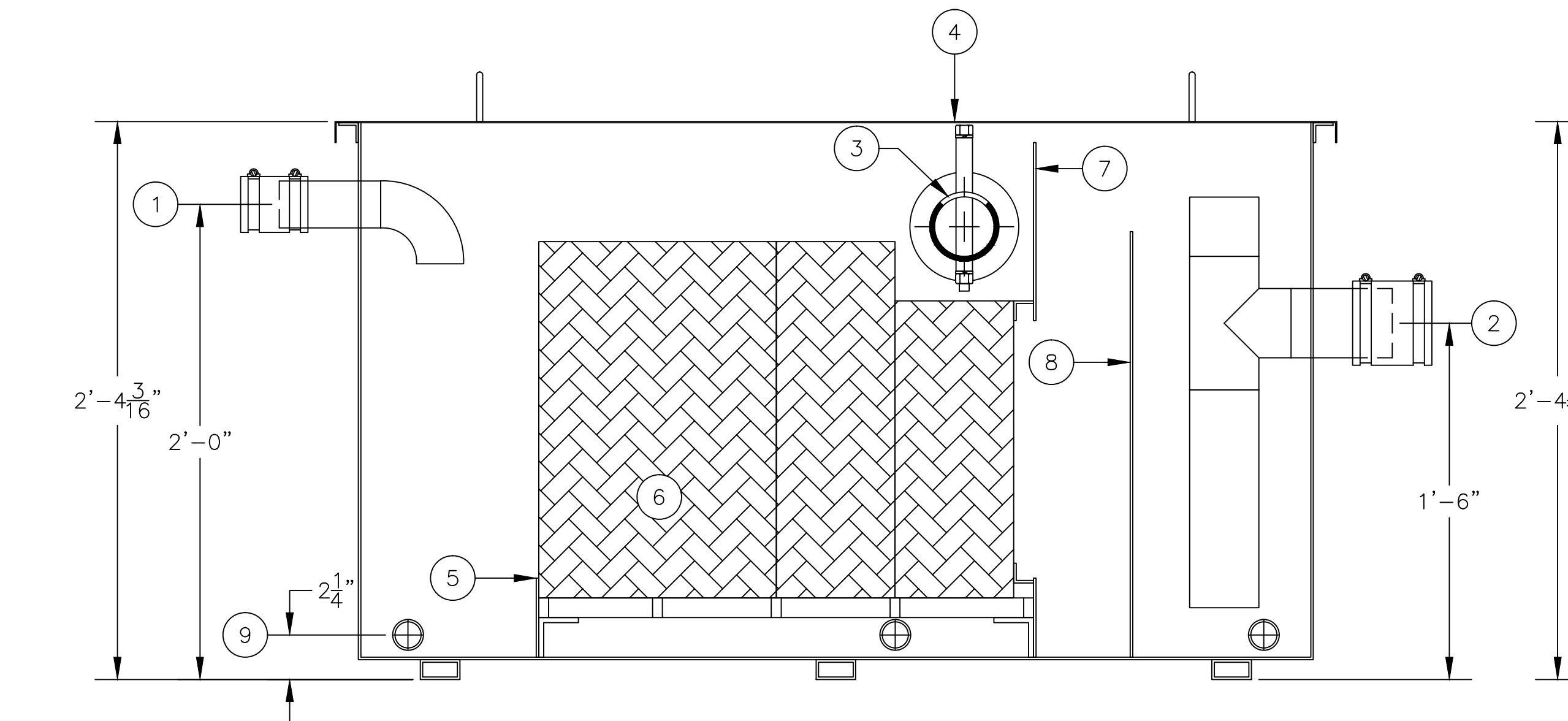
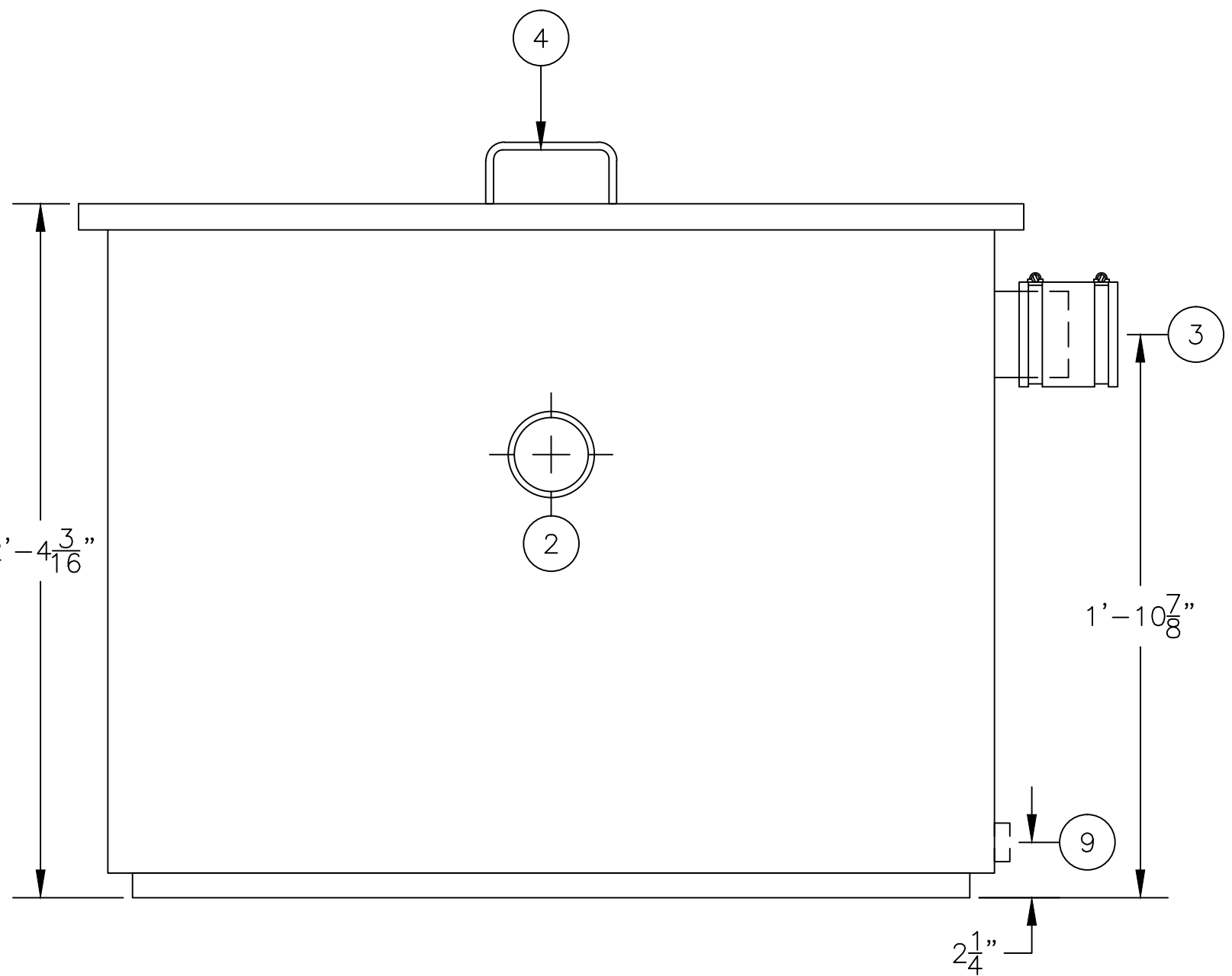


PLAN W/O LID



SECTION "A-A"



END VIEW

**ASSEMBLY LIST**

- ① 2"Ø INLET, PIPE STUB W/ FLEX CONNECTOR
- ② 3"Ø OUTLET, PIPE STUB W/ FLEX CONNECTOR
- ③ 3" ROTARY PIPE SKIMMER W/ OIL OUTLET & FLEX CONNECTOR
- ④ REMOVABLE LID
- ⑤ INLET BAFFLE
- ⑥ COALESCING MEDIA
- ⑦ OIL RETENTION BAFFLE
- ⑧ WEIR WALL
- ⑨ 1"Ø DRAIN CPLG., FPT W/ PLUG(3 REQ'D.)

	<b>OIL WATER SEPARATOR</b> <b>TECHNOLOGIES, LLC</b>	1109 25TH STREET W.P.B., FL. 33407
	OWS JOB No. —	DRAWING No. 3S5046 FILE: SA-LF-SS-15 7/30/13
MODEL: SA-LF-SS-15 G.P.M.	THIS DRAWING AND SPECIFICATION IS THE PROPERTY OF OWS TECHNOLOGIES, 1109 25TH STREET WEST PALM BEACH, FL. 33407. IT IS TO BE USED ONLY FOR THE PROJECT AND SHALL NOT BE REPRODUCED WITHOUT WRITTEN PERMISSION.	
JOB: OWS TECHNOLOGIES	SCALE: 1"=6"	DATE: 7/30/13
DRAWN BY: TMB		CHECKED BY: