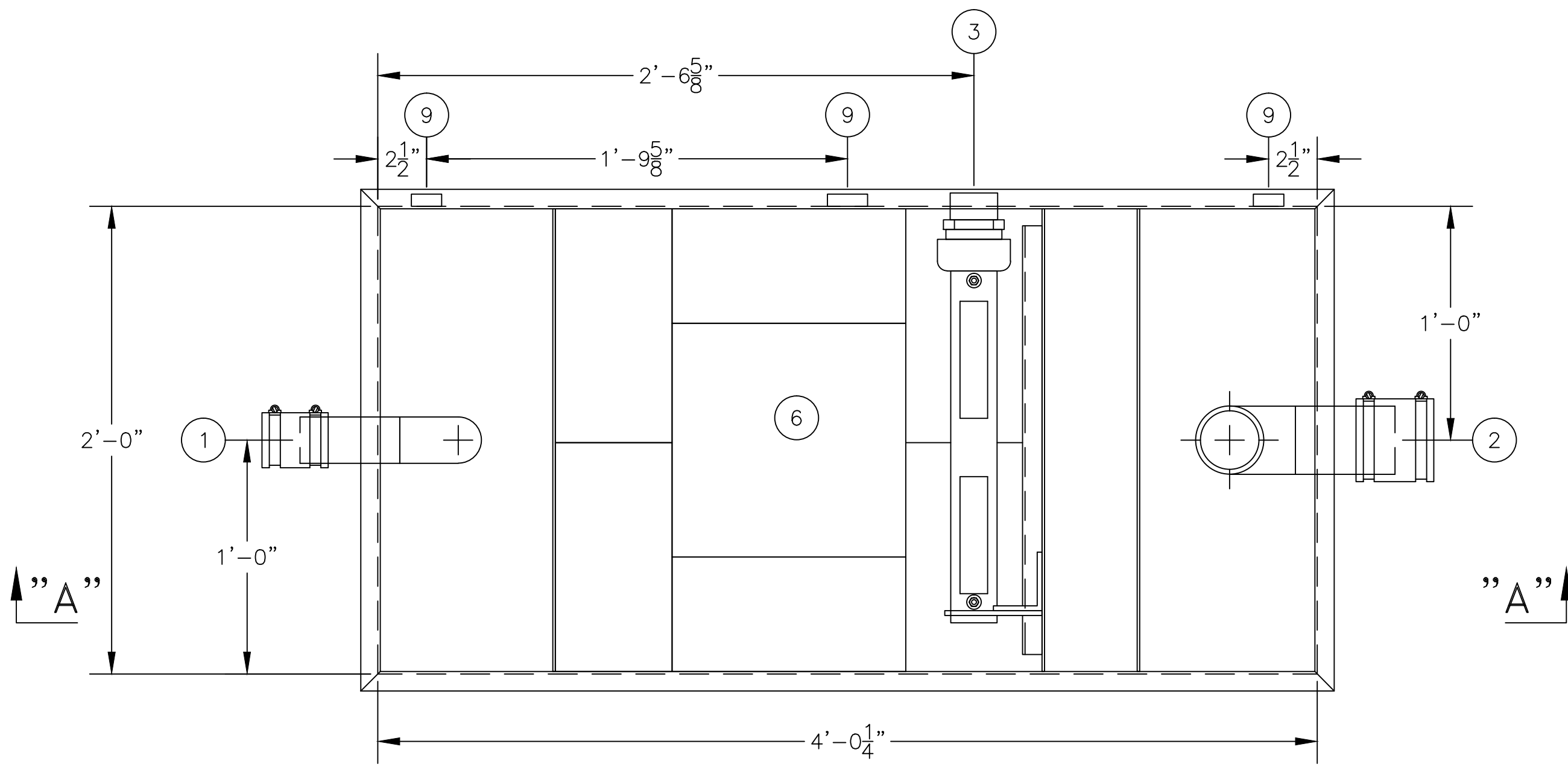
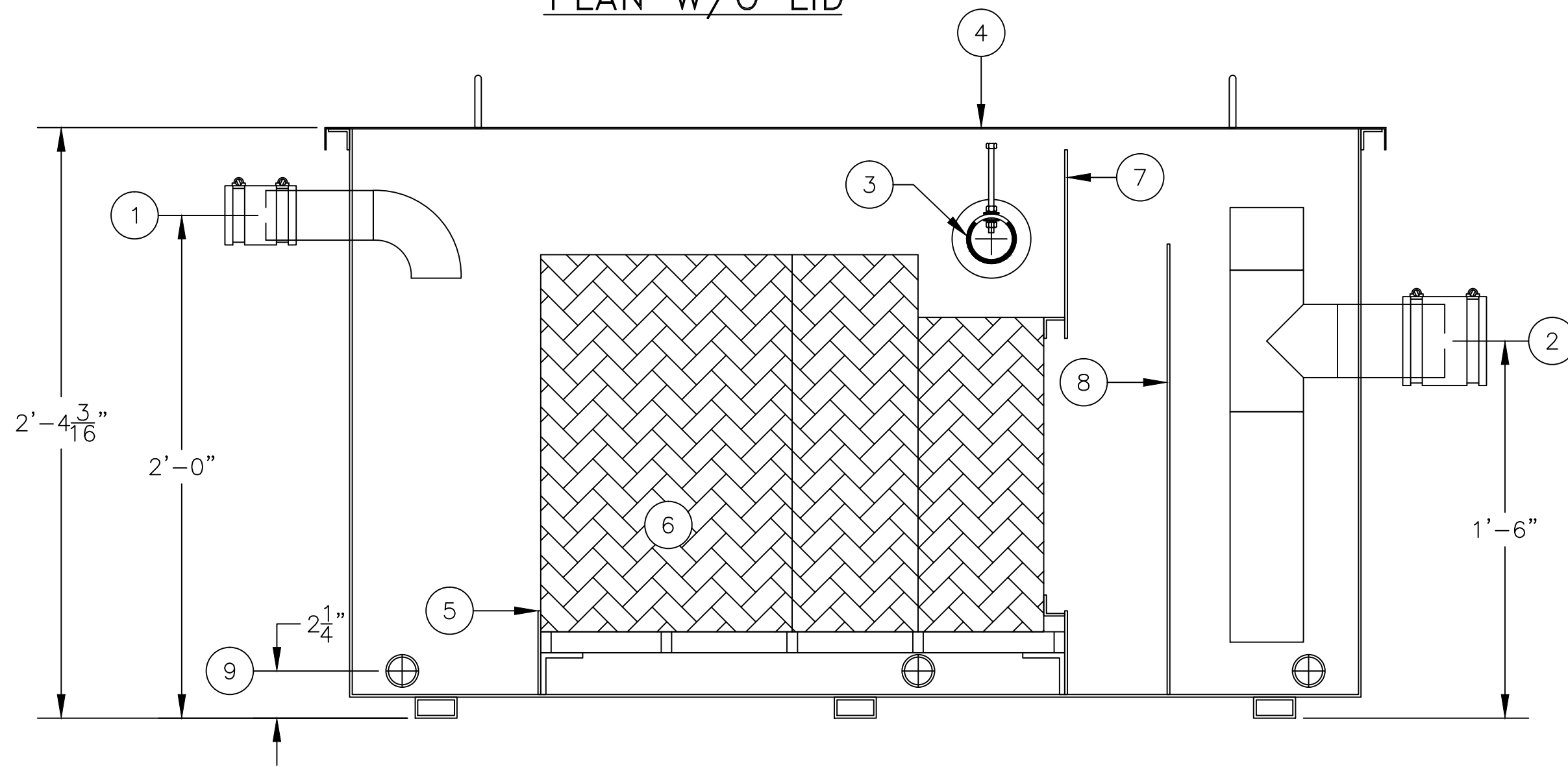


ASSEMBLY LIST

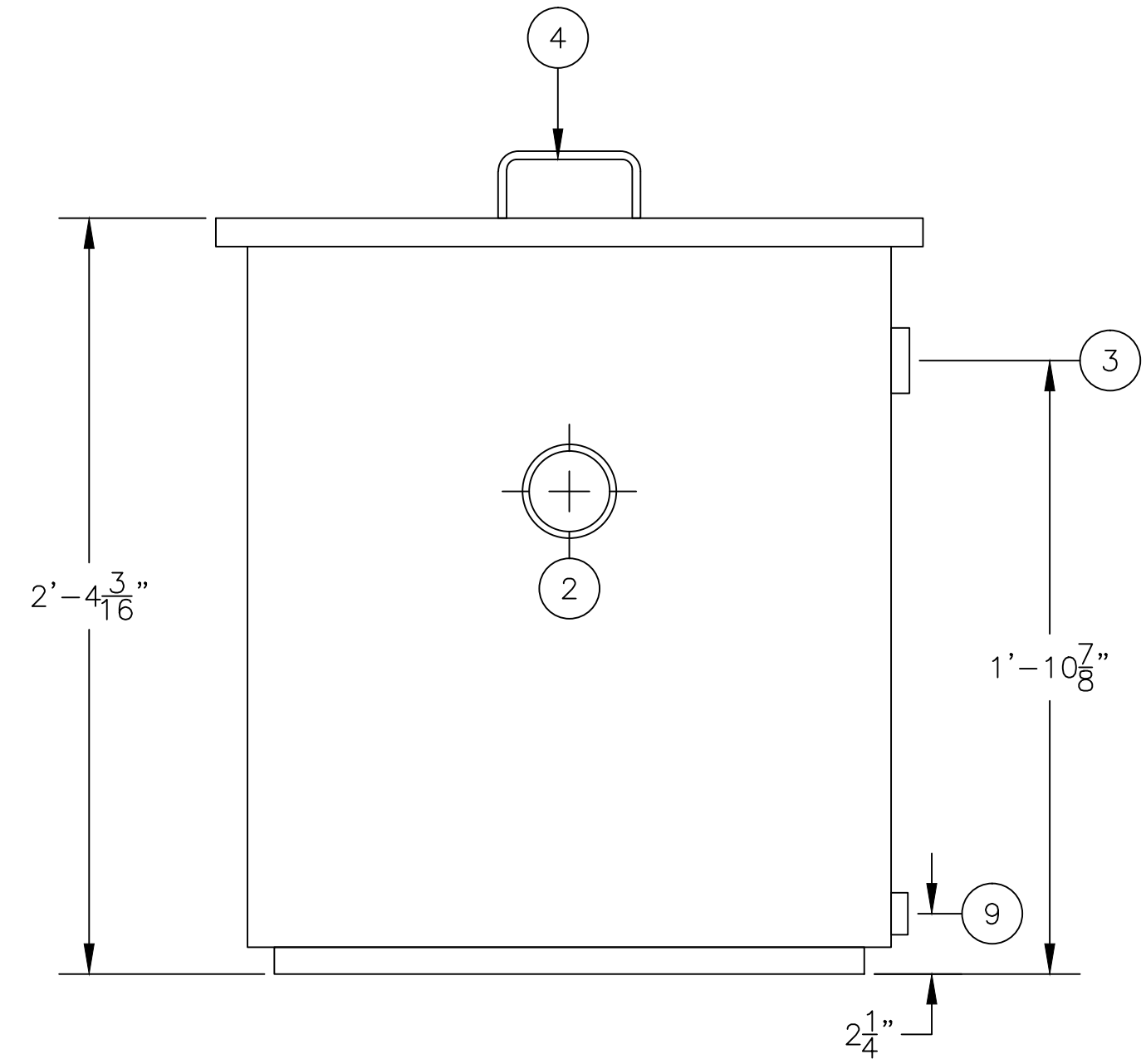
- ① 2"Ø INLET, PIPE STUB W/ FLEX CONNECTOR
- ② 3"Ø OUTLET, PIPE STUB W/ FLEX CONNECTOR
- ③ 2" ROTARY PIPE SKIMMER W/ OIL OUTLET
- ④ REMOVABLE LID
- ⑤ INLET BAFFLE
- ⑥ COALESCING MEDIA
- ⑦ OIL RETENTION BAFFLE
- ⑧ WEIR WALL
- ⑨ 1"Ø DRAIN CPLG., FPT W/ PLUG(3 REQ'D.)



PLAN W/O LID

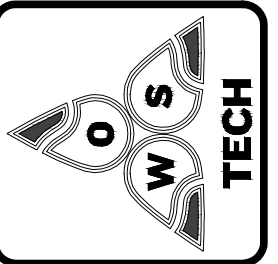


SECTION "A-A"



END VIEW

OIL WATER SEPARATOR
TECHNOLOGIES, LLC
 1109 25TH STREET W.P.B., FL. 33407



OWS JOB No. -

MODEL: SA-LF-SS-10 G.P.M.

DRAWING No. 355045
 FILE: SA-LF-SS-10 7/30/13

JOB: OWS TECHNOLOGIES

DRAWN BY: TMB

THIS DRAWING AND SPECIFICATION IS THE PROPERTY OF OWS TECHNOLOGIES, 1109 25TH STREET WEST PALM BEACH, FL. 33407. NO PART OF THIS DRAWING OR SPECIFICATION SHALL BE REPRODUCED WITHOUT WRITTEN PERMISSION.

SCALE: 1 = 6

DATE: 7/30/13

CHECKED BY: