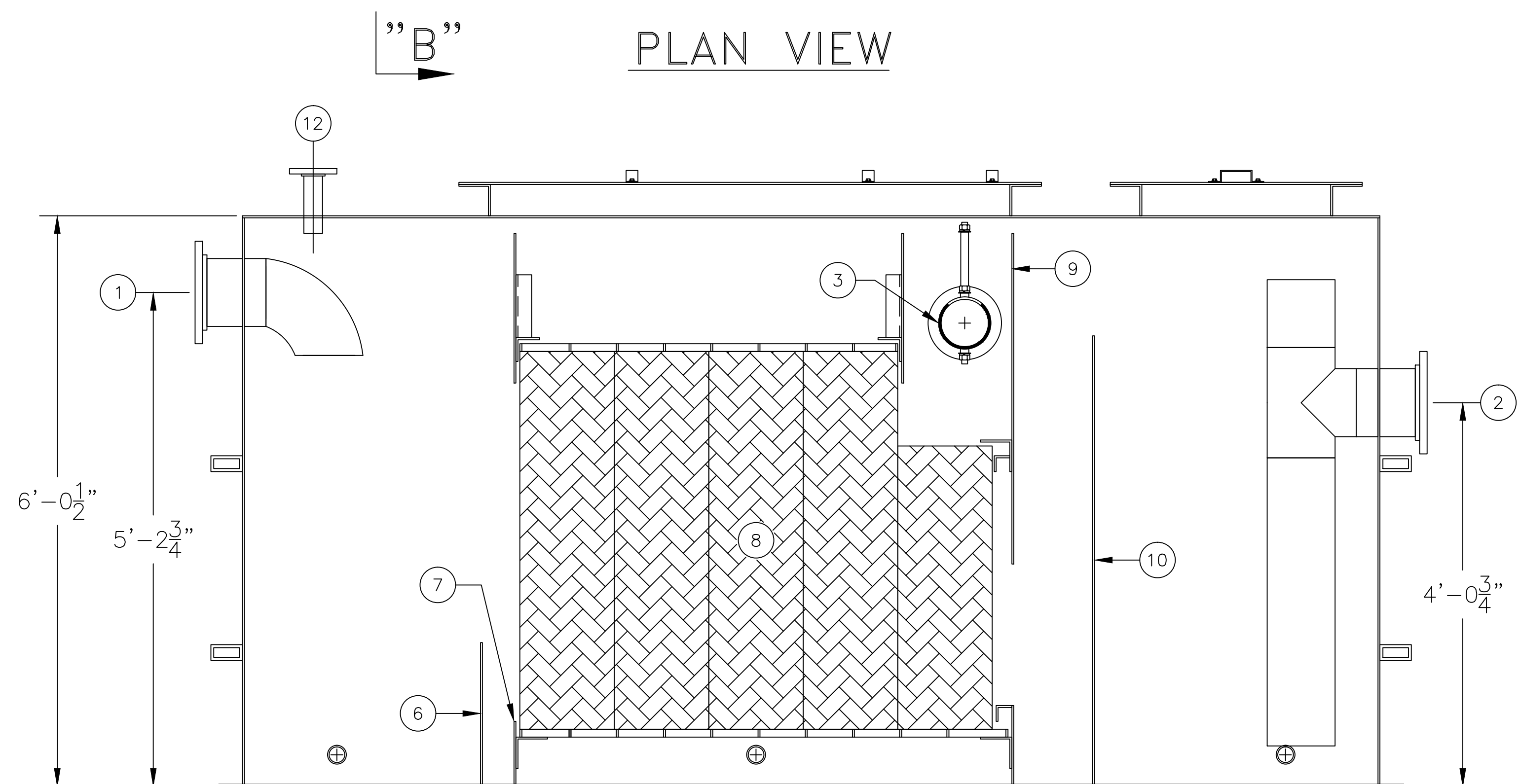
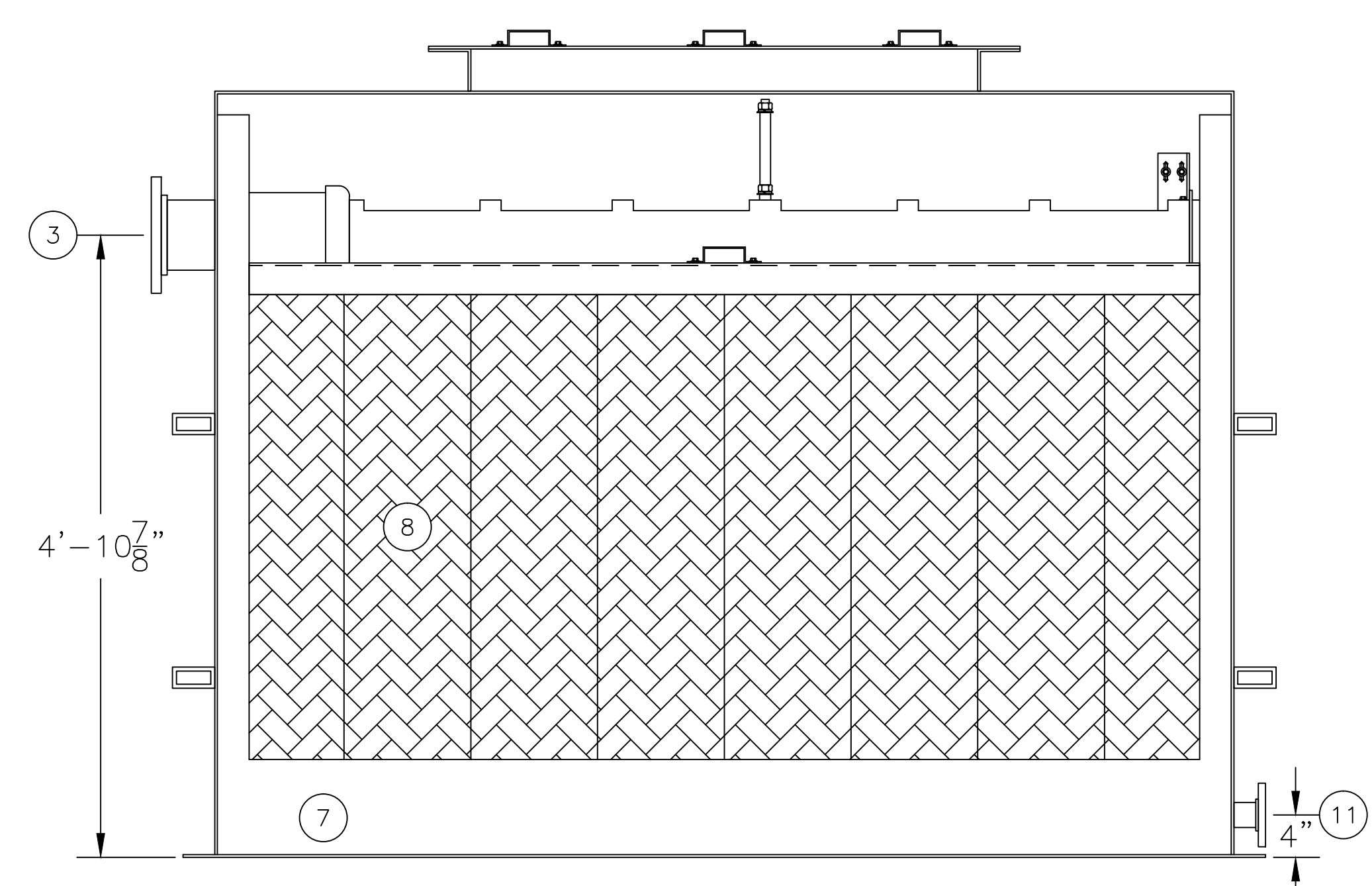


PLAN VIEW



SECTION "A-A"



SECTION "B-B"

ASSEMBLY LIST

- ① 8"Ø INLET, FLANGED
- ② 8"Ø OUTLET, FLANGED
- ③ 6" ROTARY PIPE SKIMMER/OIL OUTLET, FLANGED
- ④A 4'-0" x 5'-6" MANWAY
- ④B 4'-0" x 2'-0" MANWAY
- ⑤ INSPECTION/SKIMMER HATCH
- ⑥ SLUDGE BAFFLE
- ⑦ INLET BAFFLE
- ⑧ COALESCING MEDIA
- ⑨ OIL RETENTION BAFFLE
- ⑩ WEIR WALL
- ⑪ 2"Ø DRAIN, FLANGED(3 REQ'D.)
- ⑫ 2"Ø VENT, FLANGED

MODEL: SA-HF-SS/CS-400 G.P.M. JOB: OWS TECHNOLOGIES	OWS JOB No. — DRAWING No. 4S5011 FILE: SA-HF-SS-400 10/8/13	 OIL WATER SEPARATOR TECHNOLOGIES, LLC 1109 25TH STREET W.P.B., FL. 33407	DRAWN BY: TMB CHECKED BY:
	THIS DRAWING AND SPECIFICATION IS THE PROPERTY OF OWS TECHNOLOGIES 1109 25TH STREET WEST PALM BEACH, FL. 33407 AND SHALL NOT BE REPRODUCED WITHOUT WRITTEN PERMISSION.		SCALE: 1 = 12 DATE: 9/10/13