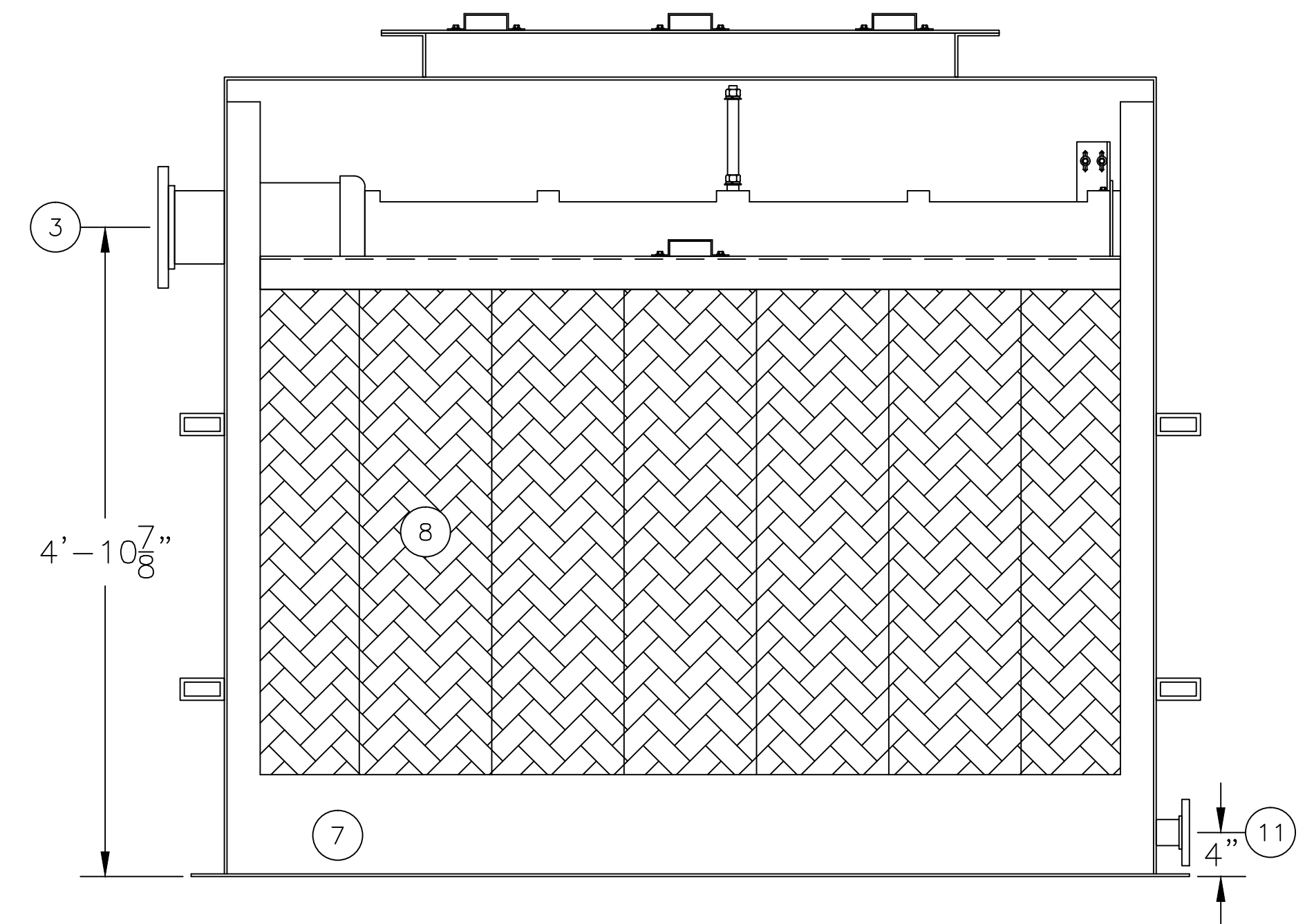
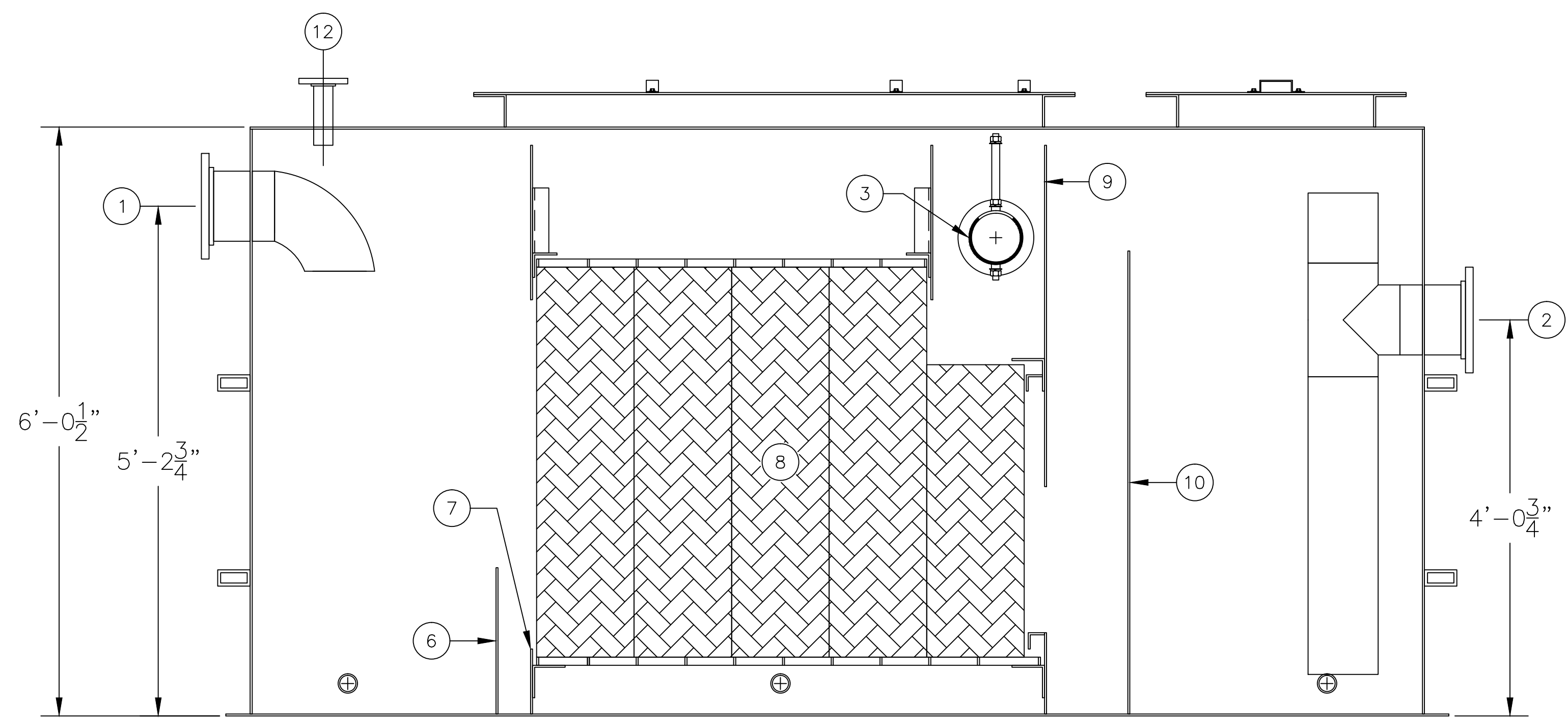


**ASSEMBLY LIST**

- ① 8"Ø INLET, FLANGED
- ② 8"Ø OUTLET, FLANGED
- ③ 6" ROTARY PIPE SKIMMER/OIL OUTLET, FLANGED
- ④A 4'-0" x 5'-6" MANWAY
- ④B 4'-0" x 2'-0" MANWAY
- ⑤ INSPECTION/SKIMMER HATCH
- ⑥ SLUDGE BAFFLE
- ⑦ INLET BAFFLE
- ⑧ COALESCING MEDIA
- ⑨ OIL RETENTION BAFFLE
- ⑩ WEIR WALL
- ⑪ 2"Ø DRAIN, FLANGED(3 REQ'D.)
- ⑫ 2"Ø VENT, FLANGED



|  |  |  |                                |                              |
|--|--|--|--------------------------------|------------------------------|
| MODEL: SA-HF-SS/CS-350 G.P.M.<br>JOB: OWS TECHNOLOGIES | OWS JOB No. —<br>DRAWING No. 4S5010<br>FILE: SA-HF-SS-350 10/8/13  | <br><b>OIL WATER SEPARATOR<br/>TECHNOLOGIES LLC</b><br>1109 25TH STREET W.P.B., FL. 33407 | SCALE: 1 = 12<br>DATE: 9/10/13 | DRAWN BY: TMB<br>CHECKED BY: |
|  | THIS DRAWING AND SPECIFICATION IS THE PROPERTY OF OWS TECHNOLOGIES 1109 25TH STREET WEST PALM BEACH, FL. 33407 AND SHALL NOT BE REPRODUCED WITHOUT WRITTEN PERMISSION. |  |                                |                              |