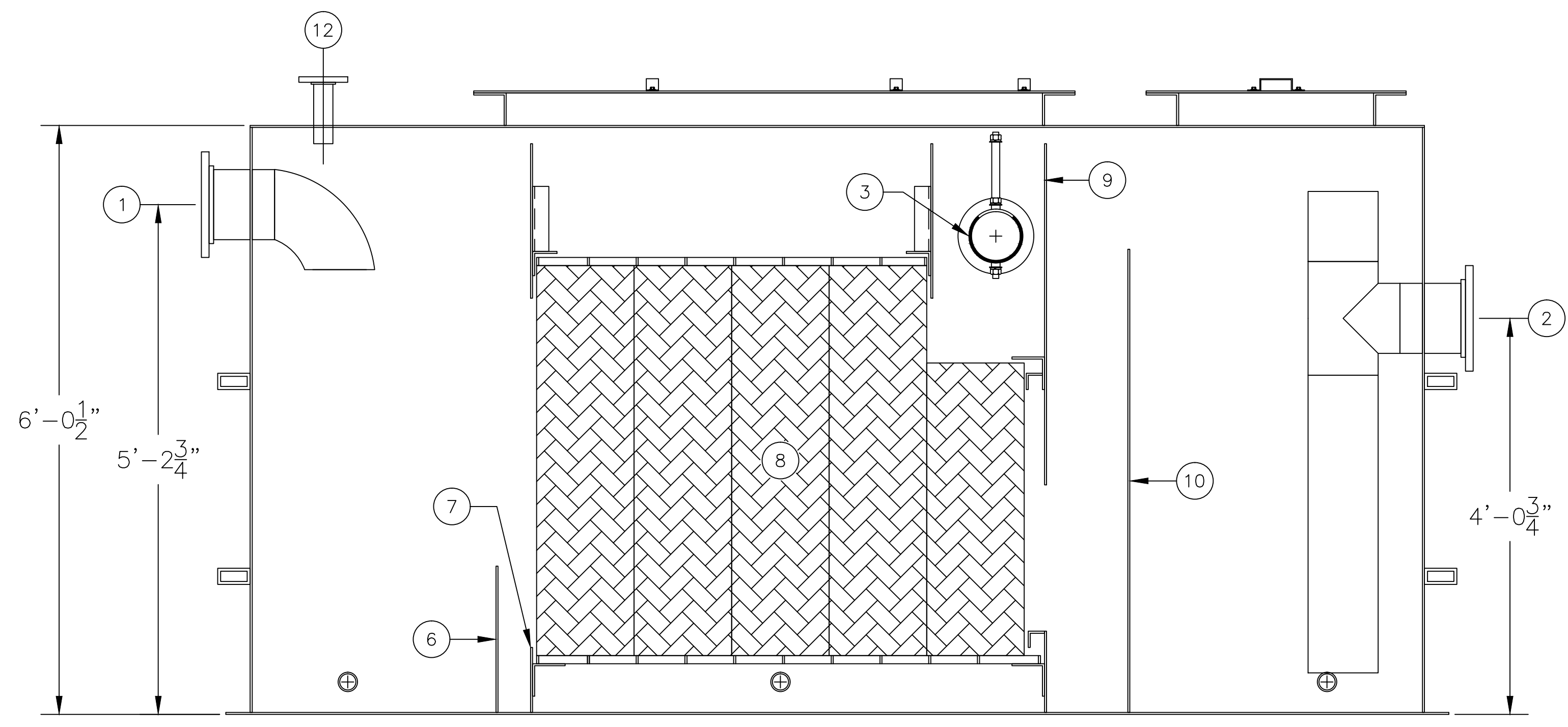


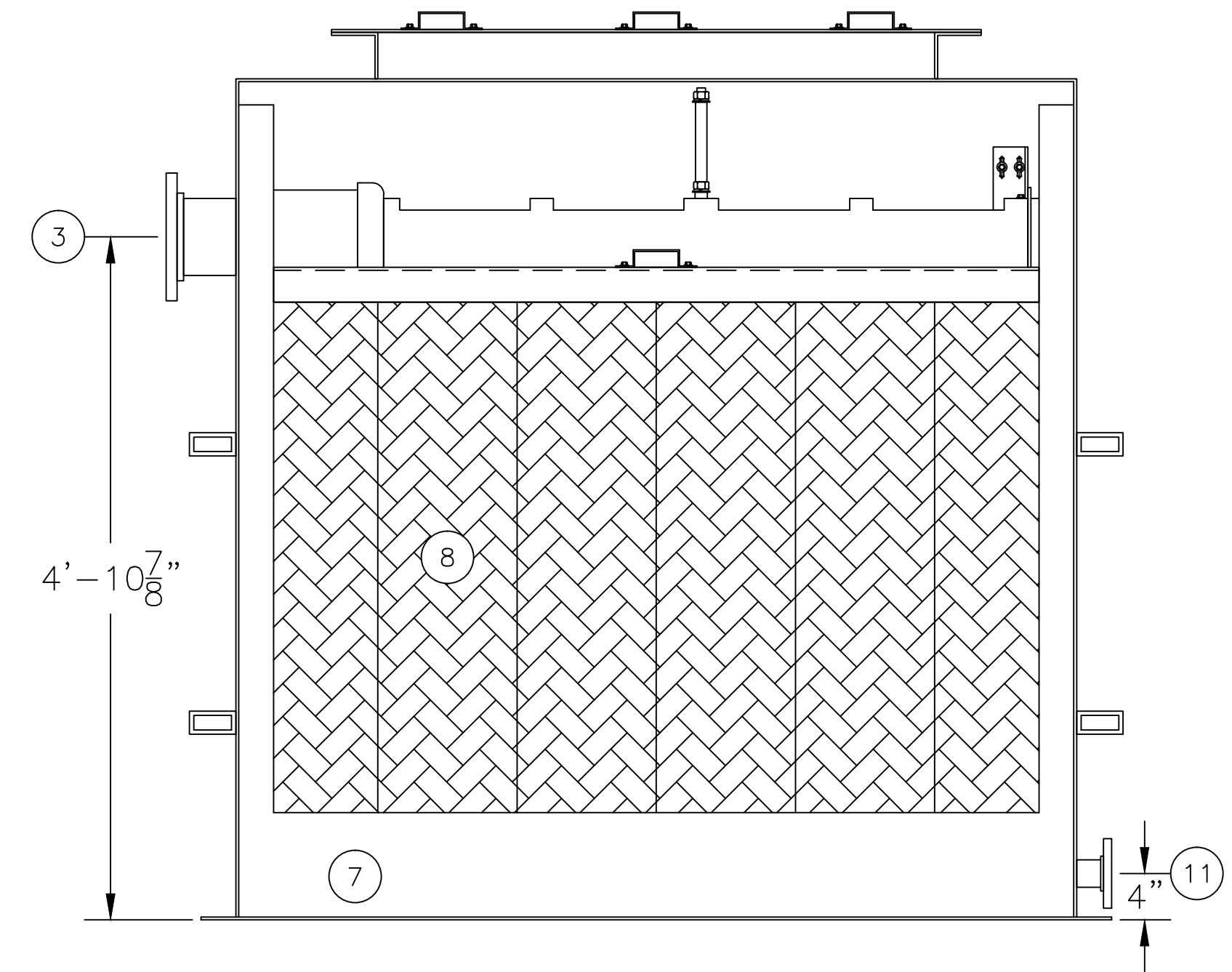
PLAN VIEW

ASSEMBLY LIST

- ① 8"Ø INLET, FLANGED
- ② 8"Ø OUTLET, FLANGED
- ③ 6" ROTARY PIPE SKIMMER/OIL OUTLET, FLANGED
- ④A 4'-0" x 5'-6" MANWAY
- ④B 4'-0" x 2'-0" MANWAY
- ⑤ INSPECTION/SKIMMER HATCH
- ⑥ SLUDGE BAFFLE
- ⑦ INLET BAFFLE
- ⑧ COALESCING MEDIA
- ⑨ OIL RETENTION BAFFLE
- ⑩ WEIR WALL
- ⑪ 2"Ø DRAIN, FLANGED(3 REQ'D.)
- ⑫ 2"Ø VENT, FLANGED

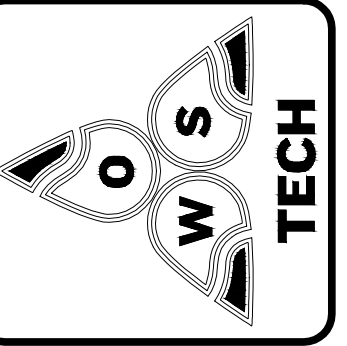


SECTION "A-A"



SECTION "B-B"

**OIL WATER SEPARATOR
TECHNOLOGIES, LLC**
1109 25TH STREET W.P.B., FL. 33407



MODEL:	SA-HF-SS/CS-300 G.P.M.	OWS JOB No.:	-
JOB:	OWS TECHNOLOGIES	DRAWING No.:	4S5009
SCALE:	1 = 12	FILE:	SA-HF-SS-300 9/10/13
DATE:	9/10/13	DRAWN BY:	TMB
		CHECKED BY:	

THIS DRAWING AND SPECIFICATION IS THE PROPERTY OF OWS TECHNOLOGIES 1109 25TH STREET WEST PALM BEACH, FL. 33407 AND SHALL NOT BE REPRODUCED WITHOUT WRITTEN PERMISSION.