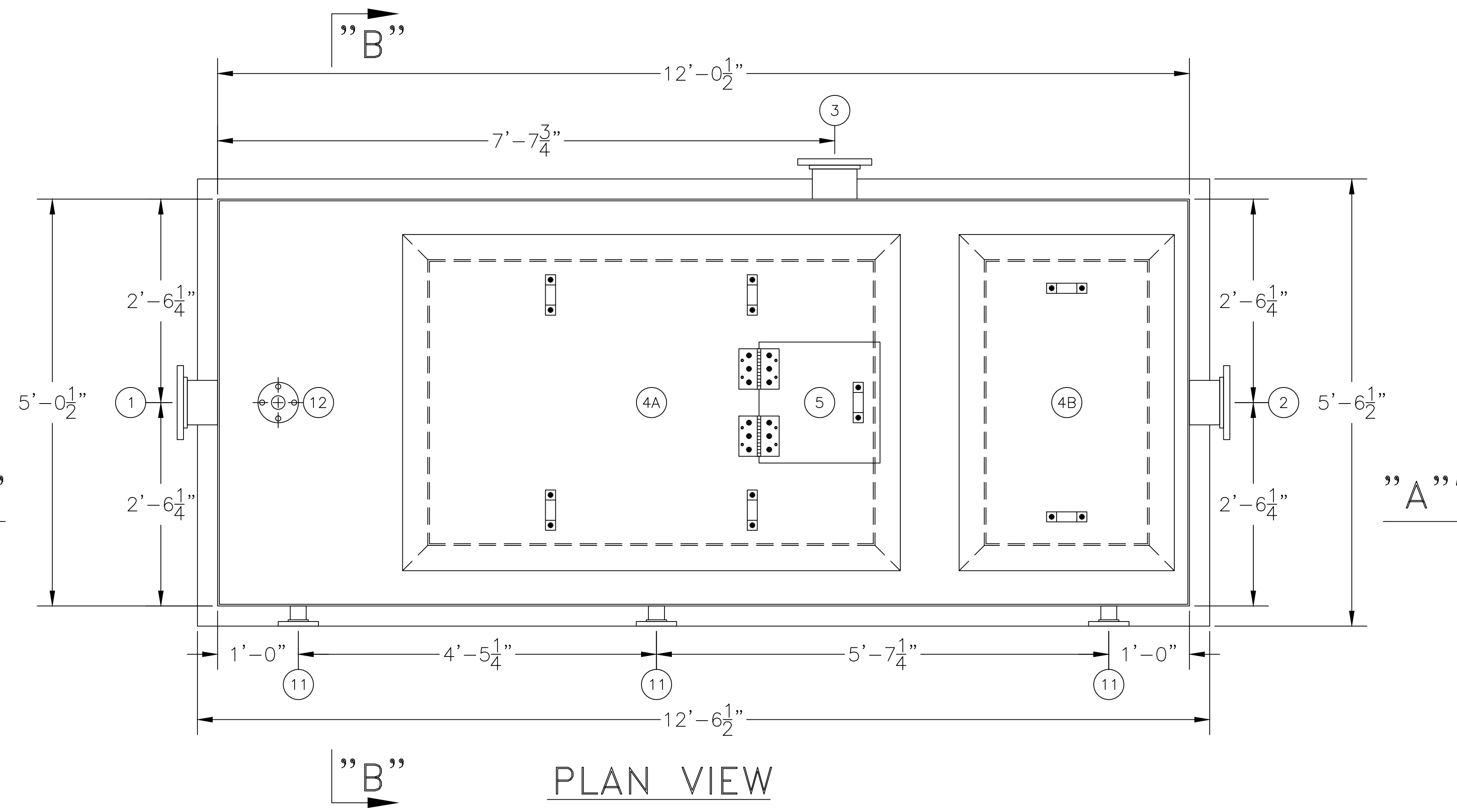
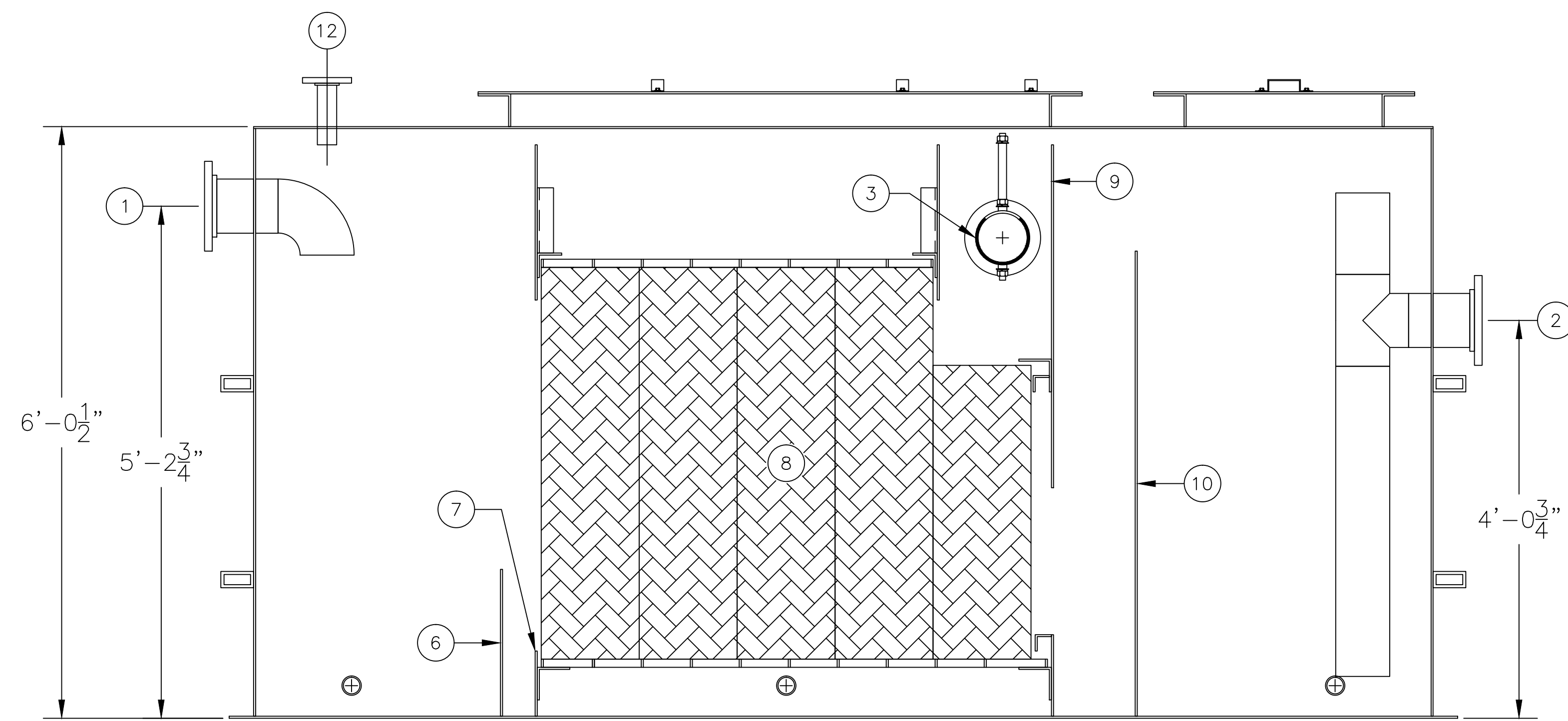


ASSEMBLY LIST

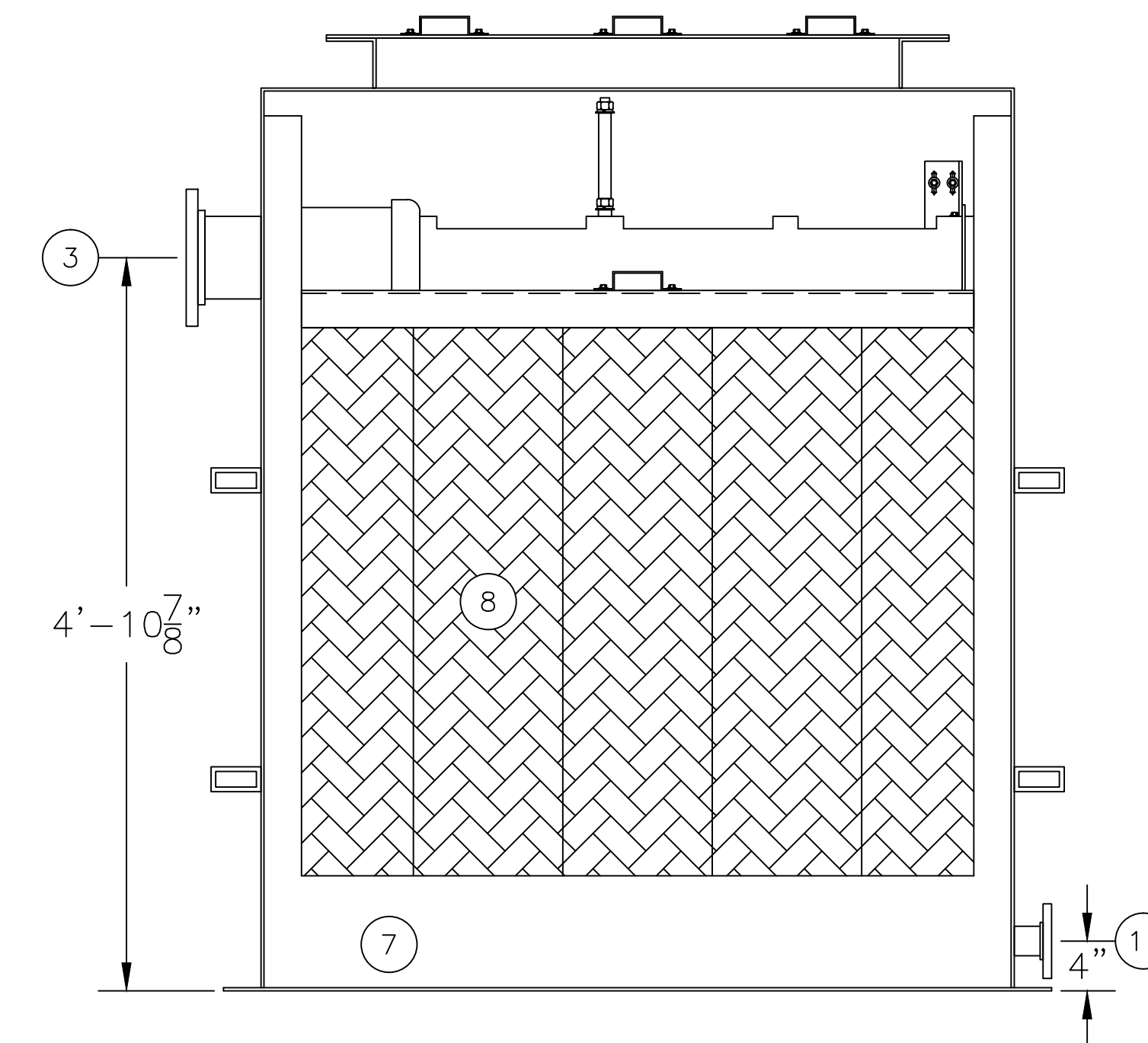
- ① 6"Ø INLET, FLANGED
- ② 6"Ø OUTLET, FLANGED
- ③ 6" ROTARY PIPE SKIMMER/OIL OUTLET, FLANGED
- ④A 3'-6" x 5'-6" MANWAY
- ④B 3'-6" x 2'-0" MANWAY
- ⑤ INSPECTION/SKIMMER HATCH
- ⑥ SLUDGE BAFFLE
- ⑦ INLET BAFFLE
- ⑧ COALESCING MEDIA
- ⑨ OIL RETENTION BAFFLE
- ⑩ WEIR WALL
- ⑪ 2"Ø DRAIN, FLANGED(3 REQ'D.)
- ⑫ 2"Ø VENT, FLANGED



PLAN VIEW



SECTION "A-A"

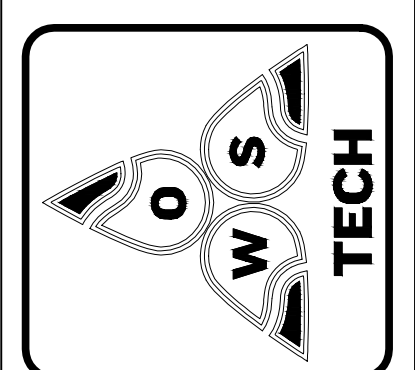


SECTION "B-B"

THIS DRAWING AND SPECIFICATION IS THE PROPERTY OF OWS TECHNOLOGIES, 1109 25TH STREET WEST PALM BEACH, FL. 33407 AND SHALL NOT BE REPRODUCED WITHOUT WRITTEN PERMISSION.

SCALE: 1 = 12
DATE: 9/10/13

OIL WATER SEPARATOR TECHNOLOGIES, LLC
1109 25TH STREET W.P.B., FL. 33407



OWS JOB No. -
DRAWING No. 4S5008
FILE: SA-HF-SS-250 9/10/13

MODEL: SA-HF-SS/CS-250 G.P.M.
JOB: OWS TECHNOLOGIES

DRAWN BY: TMB
CHECKED BY: