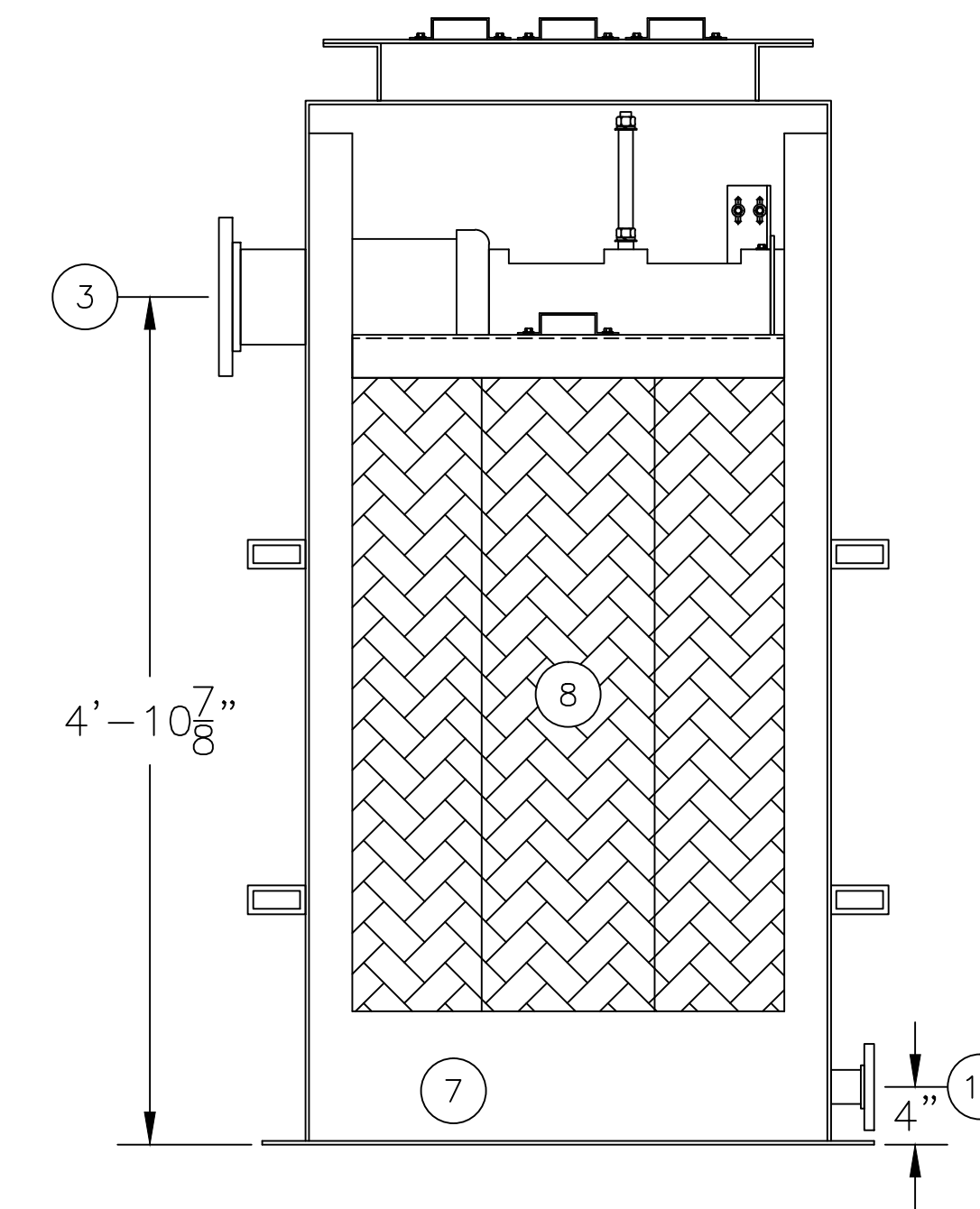
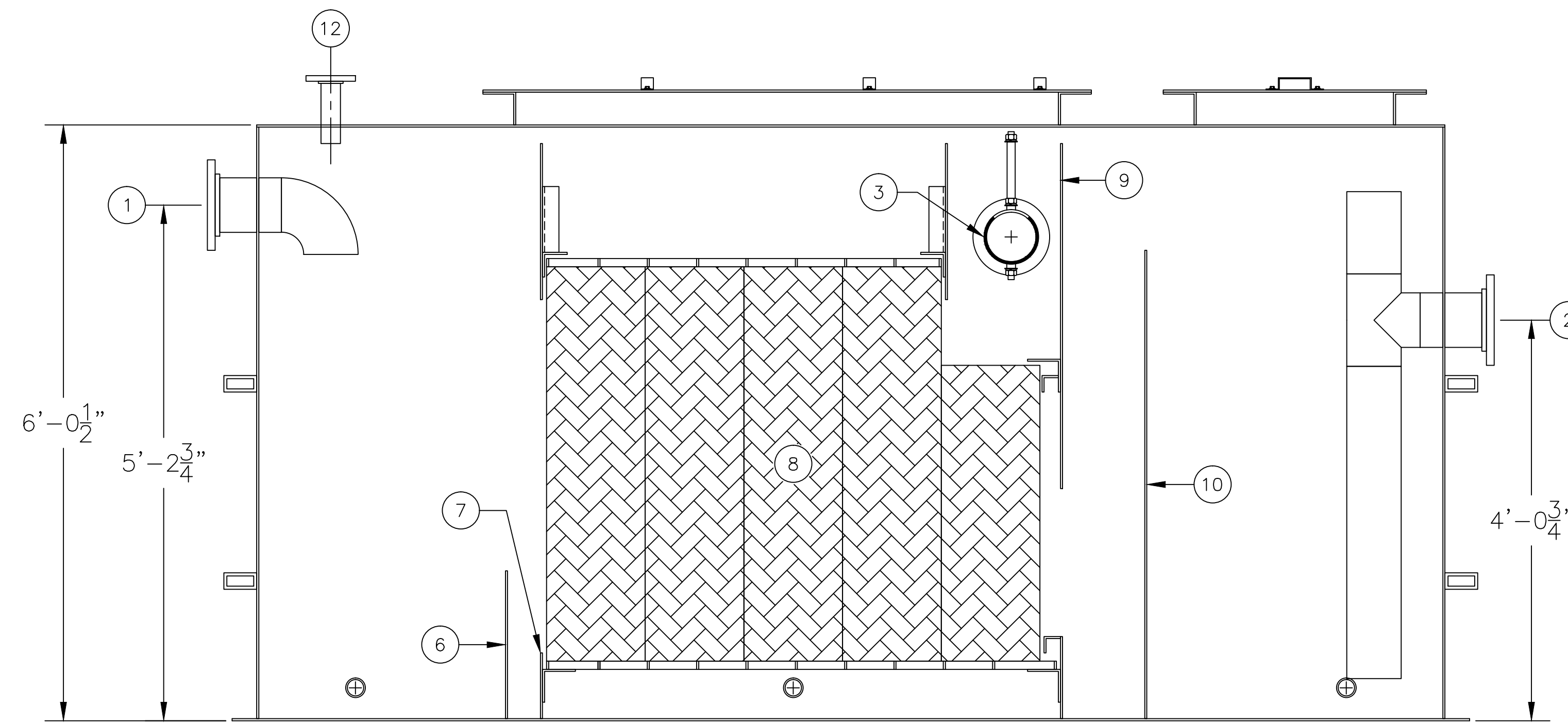


### ASSEMBLY LIST

- ① 6"Ø INLET, FLANGED
- ② 6"Ø OUTLET, FLANGED
- ③ 6" ROTARY PIPE SKIMMER/OIL OUTLET, FLANGED
- ④A 2'-2" x 5'-6" MANWAY
- ④B 2'-2" x 2'-0" MANWAY
- ⑤ INSPECTION/SKIMMER HATCH
- ⑥ SLUDGE BAFFLE
- ⑦ INLET BAFFLE
- ⑧ COALESCING MEDIA
- ⑨ OIL RETENTION BAFFLE
- ⑩ WEIR WALL
- ⑪ 2"Ø DRAIN, FLANGED(3 REQ'D.)
- ⑫ 2"Ø VENT, FLANGED



DRAWN BY: TMB  
CHECKED BY:

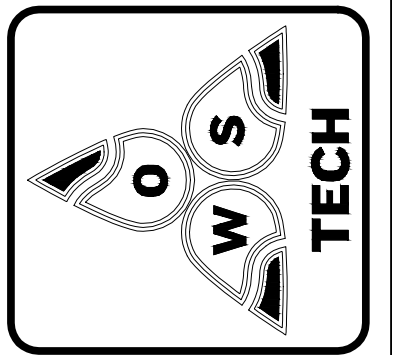
THIS DRAWING AND SPECIFICATION IS THE PROPERTY OF OWS TECHNOLOGIES 1109 25TH STREET WEST PALM BEACH, FL 33407 AND SHALL NOT BE REPRODUCED WITHOUT WRITTEN PERMISSION

SCALE: 1 = 12

DATE: 8/30/13

**OIL WATER SEPARATOR  
TECHNOLOGIES, LLC**

1109 25TH STREET W.P.B., FL. 33407



OWS JOB No. —

MODEL: SA-HF-SS/CS-150 G.P.M.

DRAWING No. 4S5006

FILE: SA-HF-SS-1500 8/30/13

JOB: OWS TECHNOLOGIES