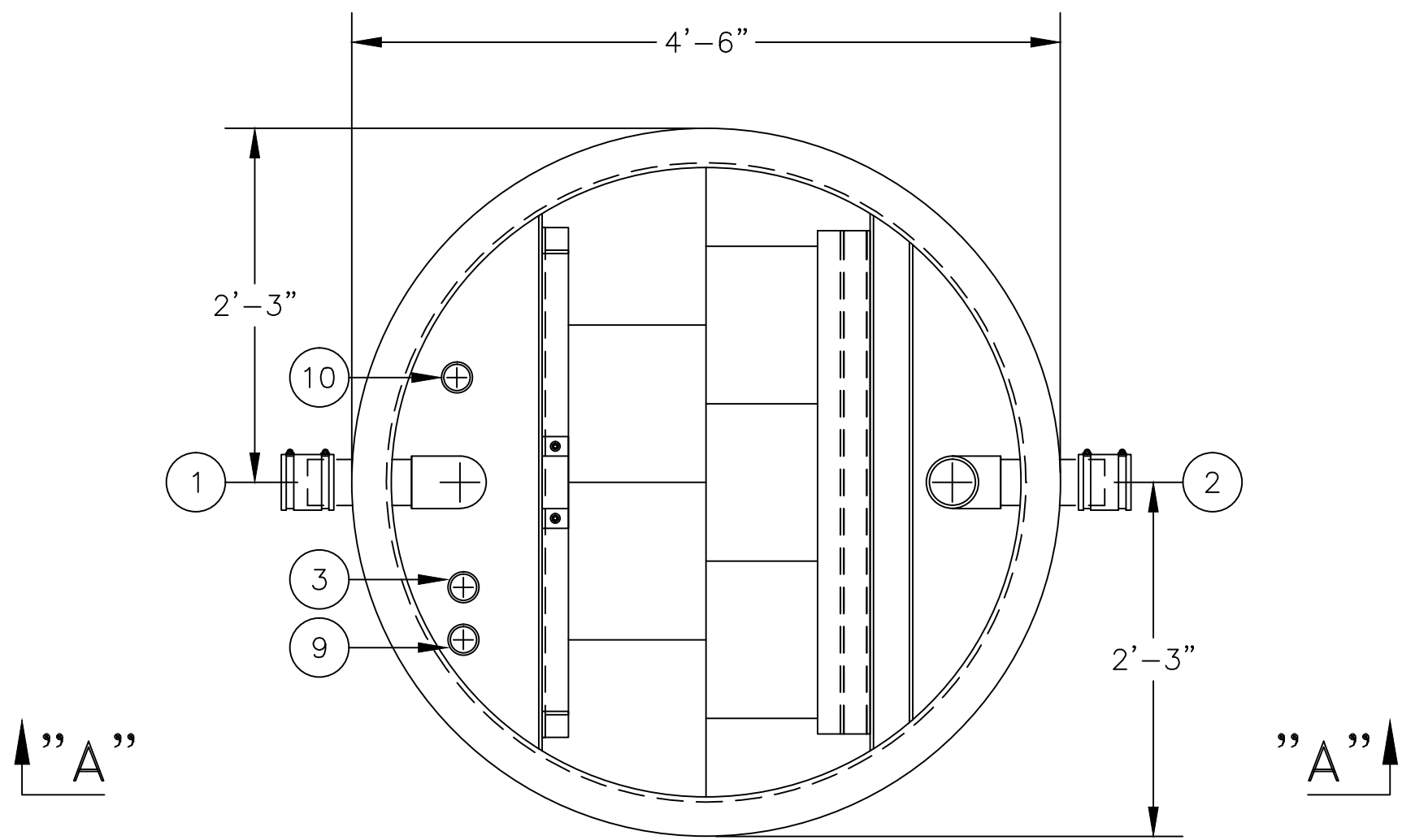
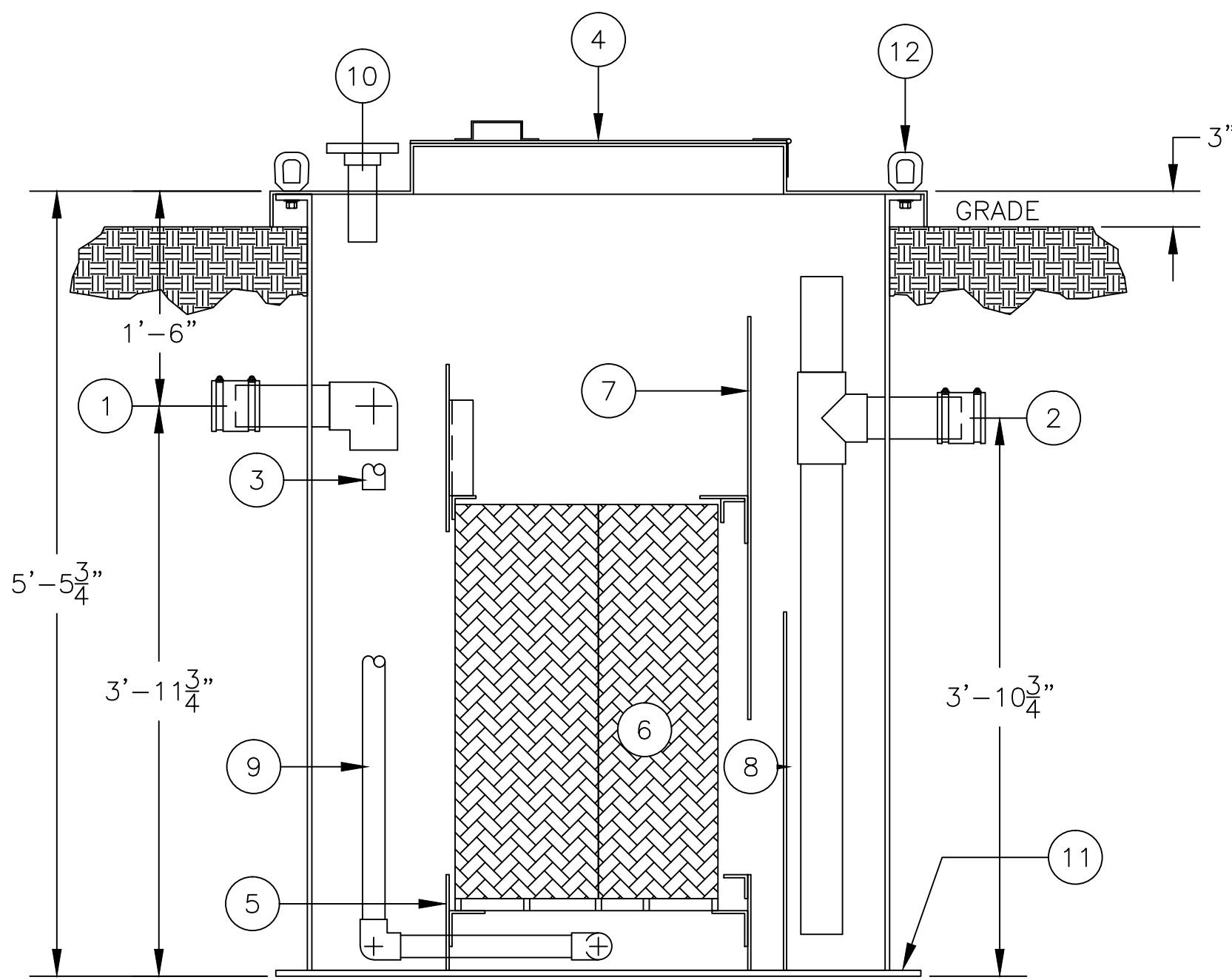


ASSEMBLY LIST

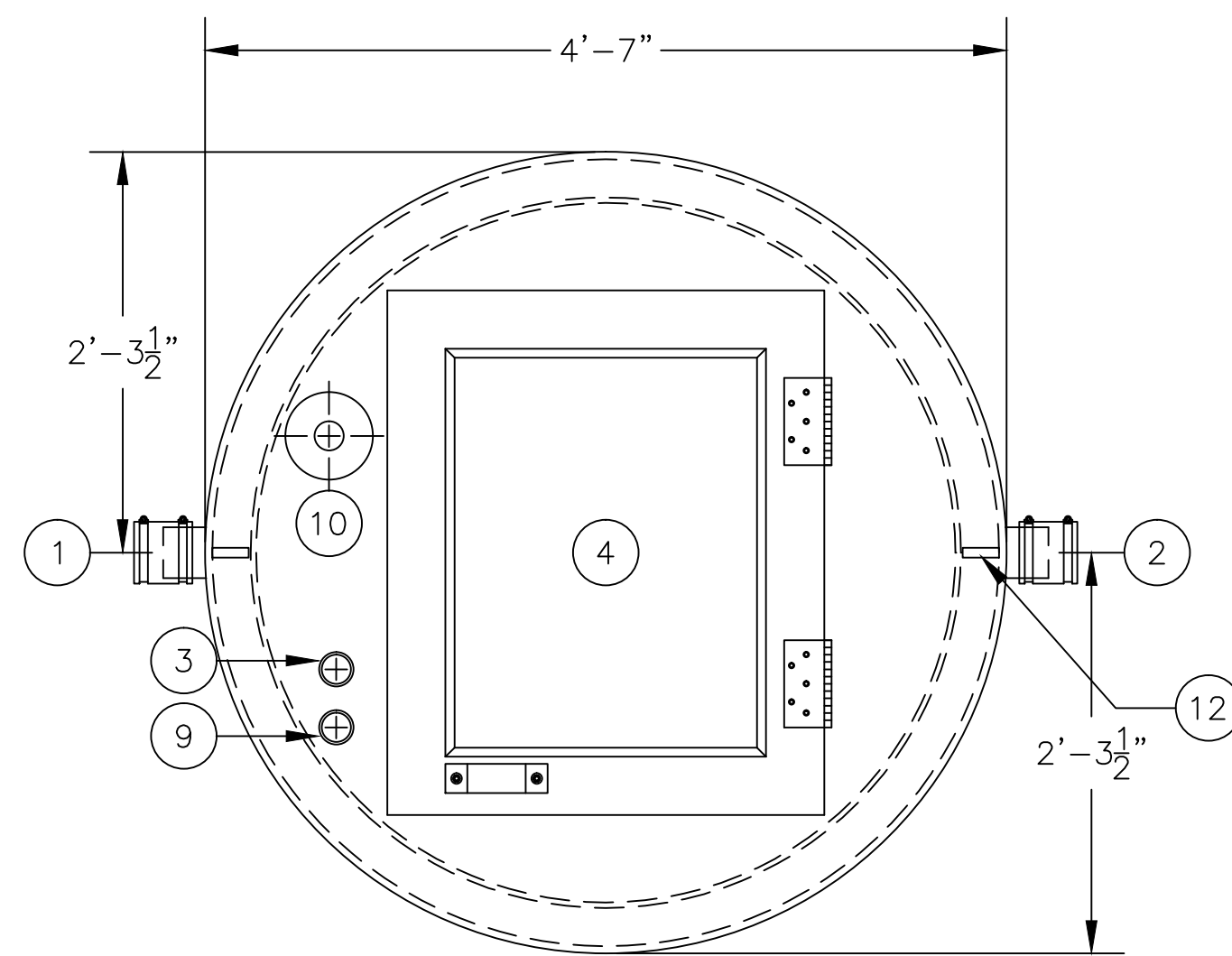
- ① 3"Ø INLET, PIPE STUB W/ FLEX CONNECTOR
- ② 3"Ø OUTLET, PIPE STUB W/ FLEX CONNECTOR
- ③ 1 1/2"Ø OIL DRAW OFF, FPT
- ④ 3'-0" x 2'-6" MANWAY
- ⑤ INLET BAFFLE
- ⑥ COALESCING MEDIA
- ⑦ OIL RETENTION BAFFLE
- ⑧ DIFFUSER BAFFLE
- ⑨ 1 1/2"Ø SLUDGE DRAW OFF, FPT
- ⑩ 2"Ø LEVEL SWITCH MTG. PROVISION, FLANGED
- ⑪ BOTTOM HOLD DOWN FLANGE
- ⑬ LIFTING LUGS



PLAN W/O LID



SECTION "A-A"

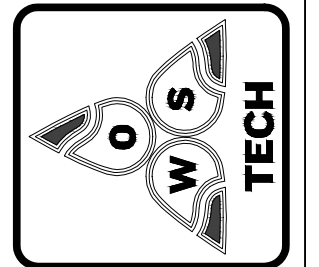


PLAN W/ LID

WEIGHTS & CAPACITIES

EMPTY WGT. APPROX.=475#
 OPERATING CAP.=350 GAL.
 OPERATING WGT.=3,395#
 NORMAL OIL CAP.=25 GAL.
 OIL SPILL CAP.=135 GAL.
 SOLIDS CAP.=5 CU./FT.

MODEL: RF-F-35 G.P.M.	OWS JOB No.:	-
	DRAWING No.:	3S5131
JOB:	OWS TECHNOLOGIES	FILE: RF-F-35 7/20/15



OIL WATER SEPARATOR
TECHNOLOGIES, LLC
 1109 25TH STREET W.P.B., FL. 33407

SCALE: N.T.S.
 DATE: 7/20/15

THIS DRAWING AND SPECIFICATION IS THE PROPERTY OF OWS TECHNOLOGIES, 1109 25TH STREET WEST PALM BEACH, FL. 33411. IT IS TO BE REPRODUCED WITHOUT WRITTEN PERMISSION.

DRAWN BY: TMB
 CHECKED BY: