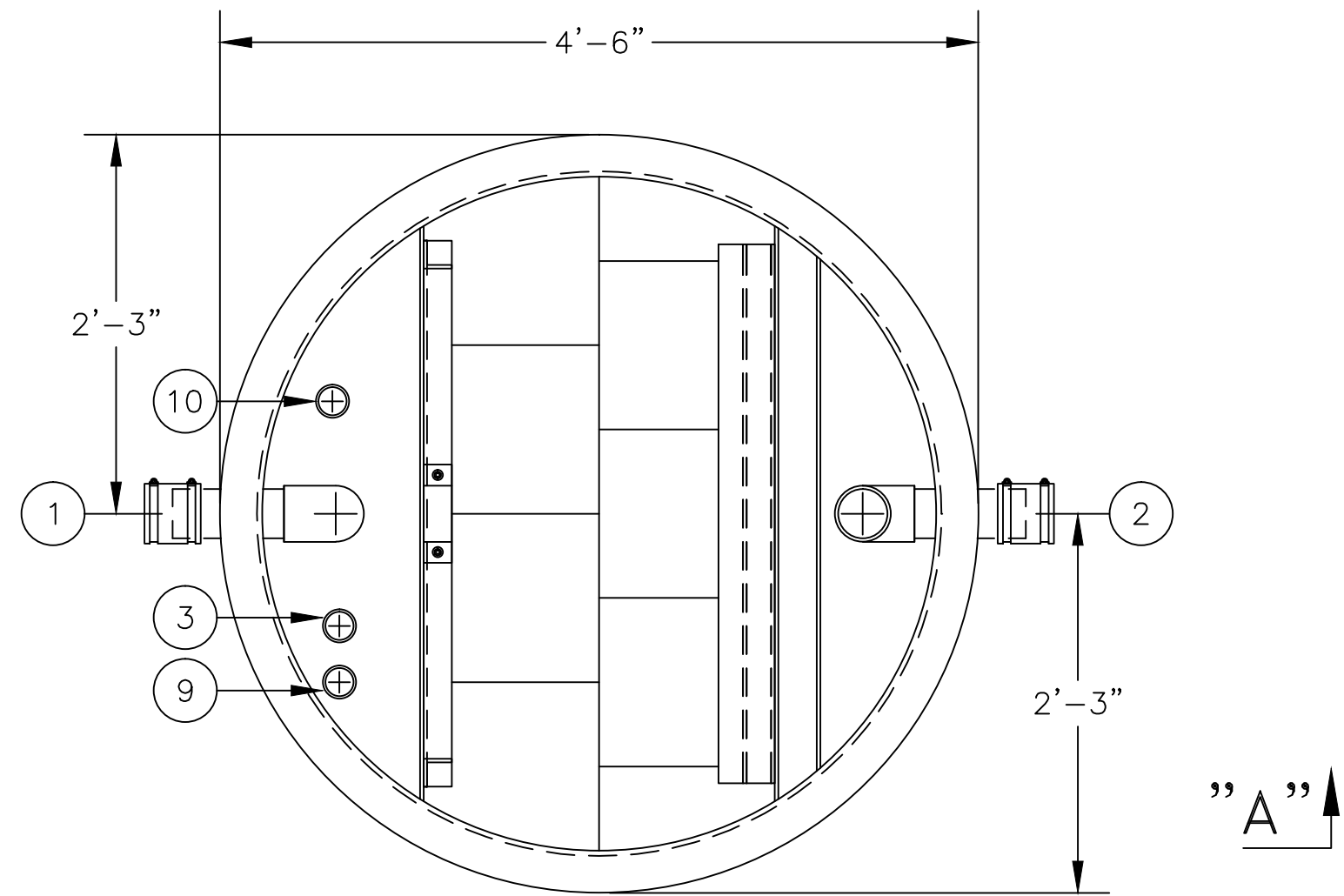
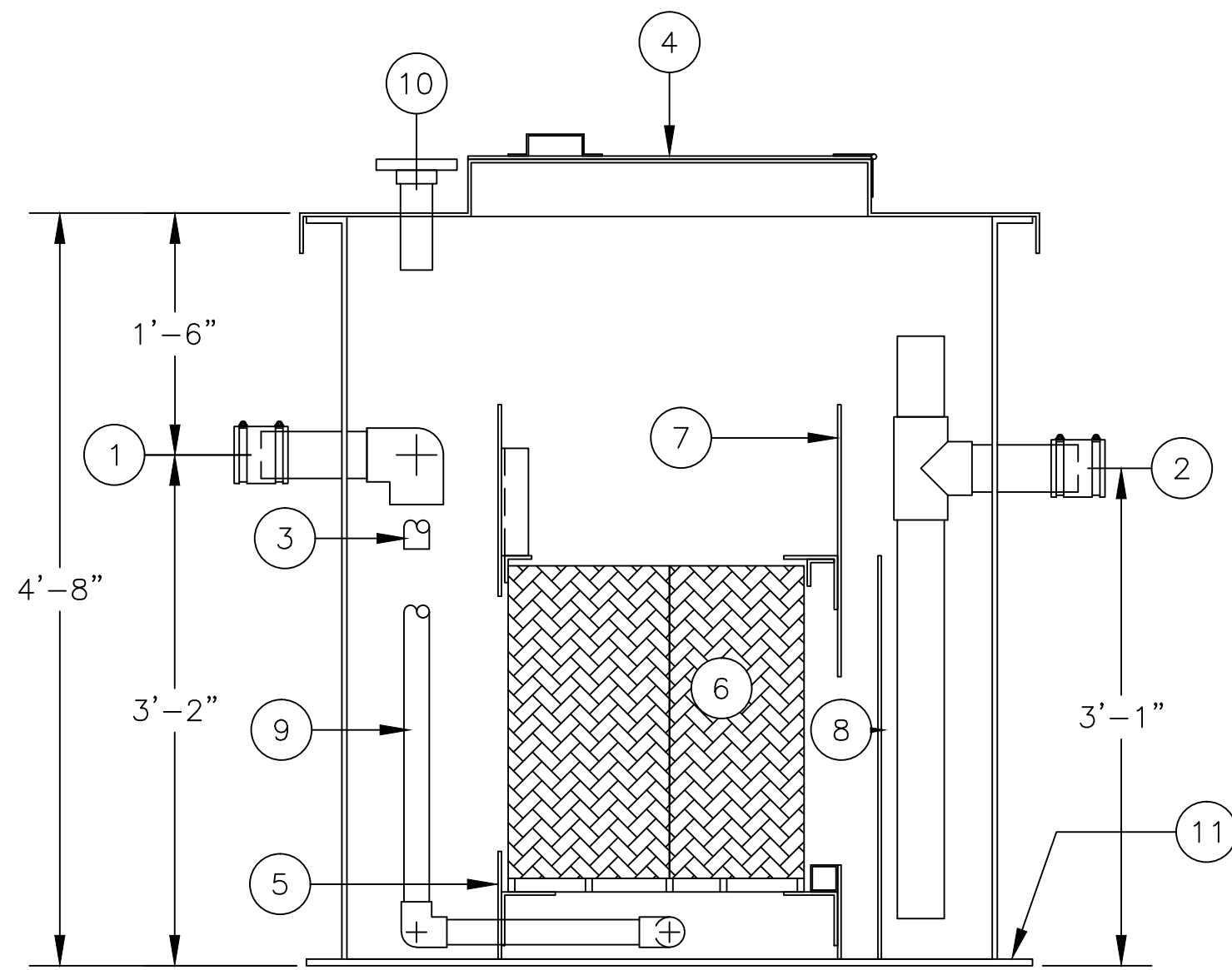


ASSEMBLY LIST

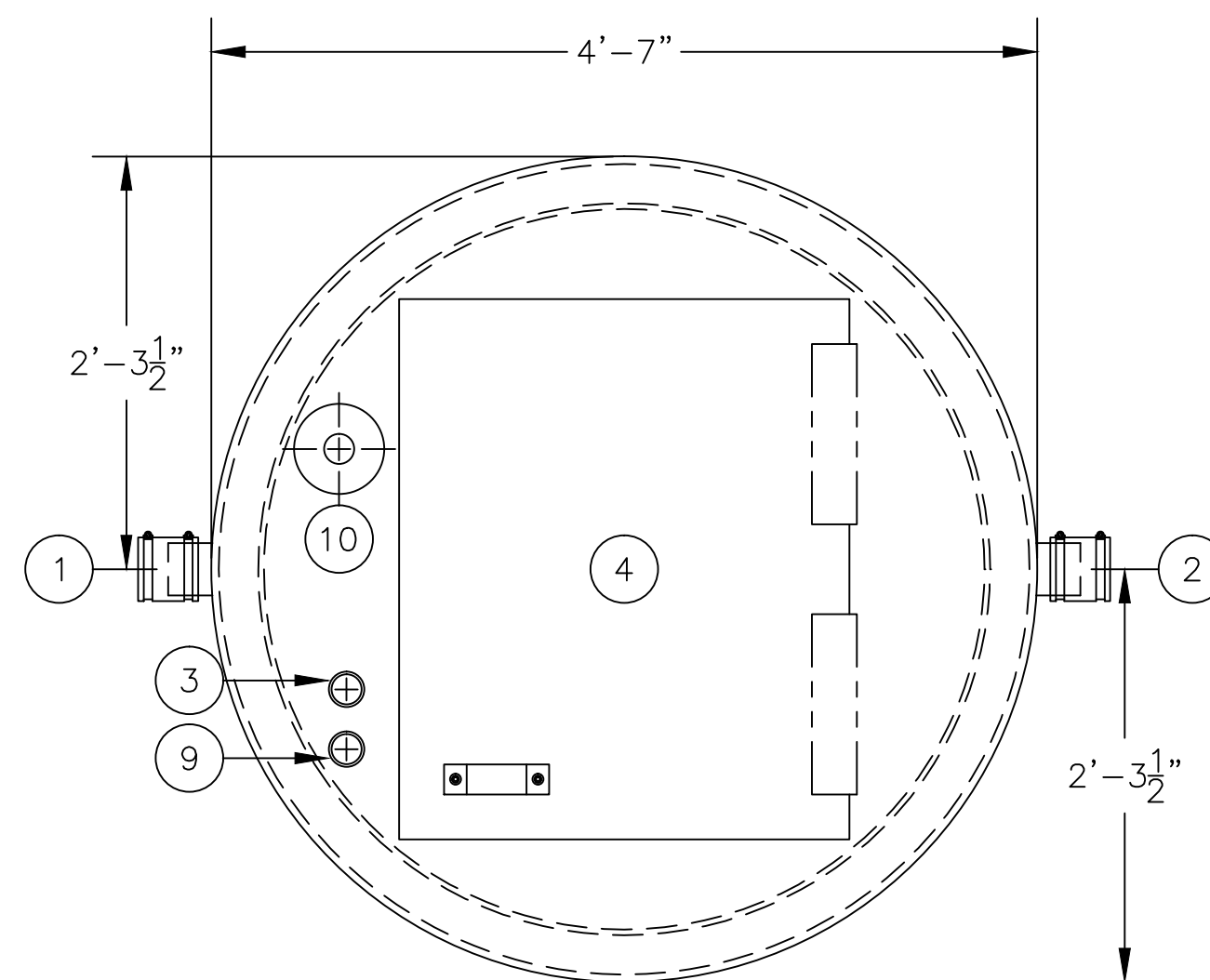
- ① 3"Ø INLET, PIPE STUB W/ FLEX CONNECTOR
- ② 3"Ø OUTLET, PIPE STUB W/ FLEX CONNECTOR
- ③ 1 1/2"Ø OIL DRAW OFF, FPT
- ④ 3'-0" x 2'-6" MANWAY
- ⑤ INLET BAFFLE
- ⑥ COALESCING MEDIA
- ⑦ OIL RETENTION BAFFLE
- ⑧ DIFFUSER BAFFLE
- ⑨ 1 1/2"Ø SLUDGE DRAW OFF, FPT
- ⑩ 2"Ø LEVEL SWITCH MTG. PROVISION, FLANGED
- ⑪ BOTTOM HOLD DOWN FLANGE



PLAN W/O LID



SECTION "A-A"



PLAN W/ LID

WEIGHTS & CAPACITIES

EMPTY WGT. APPROX.=400#
 OPERATING CAP.=275 GAL.
 OPERATING WGT.=2,684#
 NORMAL OIL CAP.=20 GAL.
 OIL SPILL CAP.=77 GAL.

MODEL: RF-F-20 G.P.M.

JOB: OWS TECHNOLOGIES

OWS JOB No. 1

DRAWING No. 3S5030

FILE: RF-F-20 7/9/13

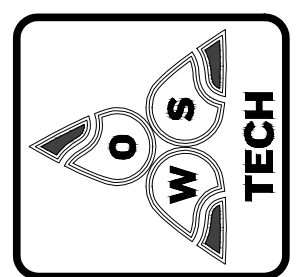
SCALE: 1=12

DATE: 7/9/13

THIS DRAWING AND SPECIFICATION IS THE PROPERTY OF OWS TECHNOLOGIES 1109 25TH STREET WEST PALM BEACH, FL 33407. NO PARTS SHALL BE REPRODUCED WITHOUT WRITTEN PERMISSION.

DRAWN BY: TMB

CHECKED BY:



OIL WATER SEPARATOR
TECHNOLOGIES, LLC
 1109 25TH STREET W.P.B., FL. 33407