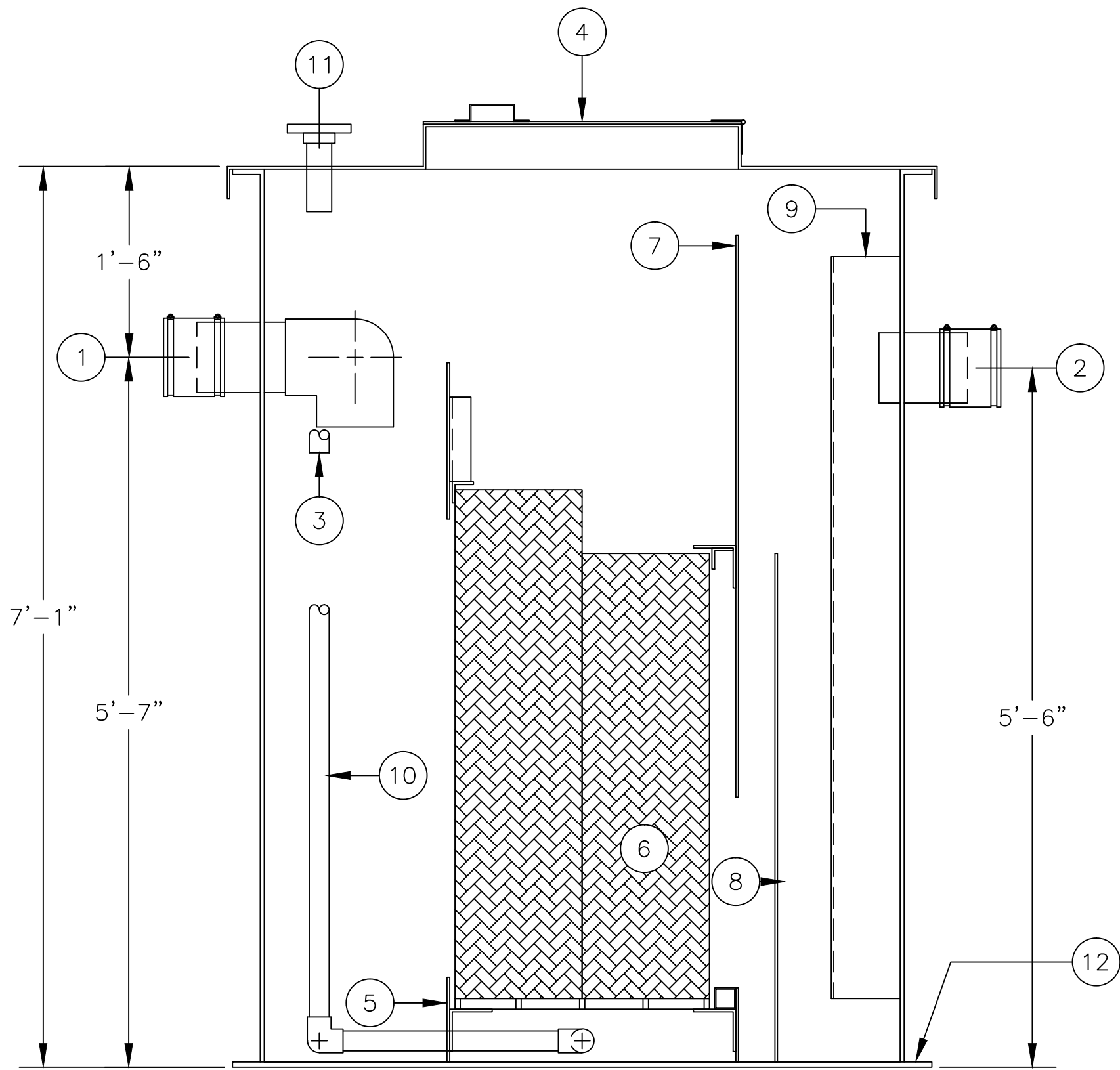
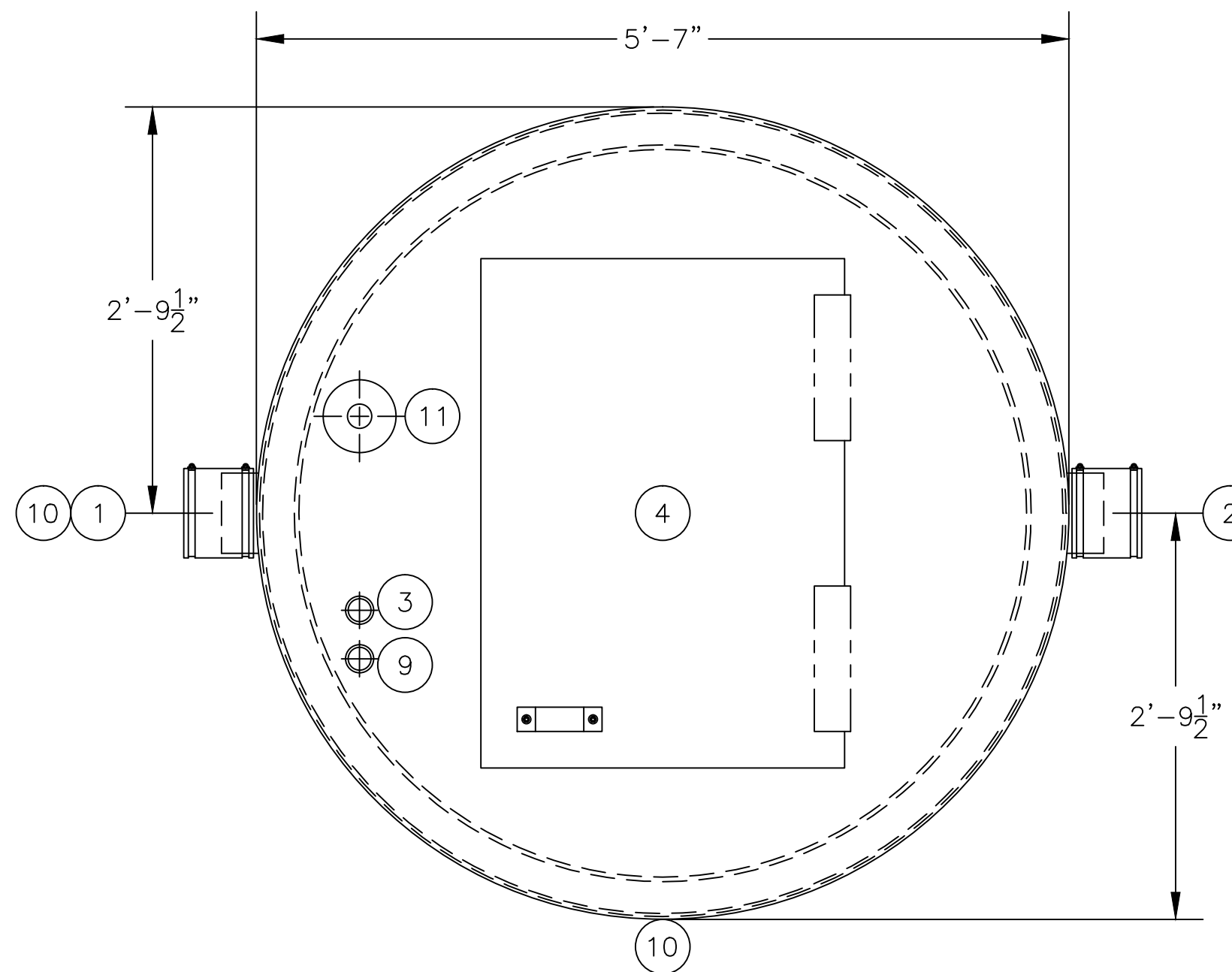


PLAN W/O LID



SECTION "A-A"



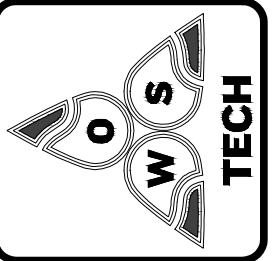
PLAN W/ LID

ASSEMBLY LIST

- ① 6"Ø INLET, PIPE STUB W/ FLEX CONNECTOR
- ② 6"Ø OUTLET, PIPE STUB W/ FLEX CONNECTOR
- ③ 1 1/2"Ø OIL DRAW OFF, FPT
- ④ 3'-6" x 2'-6" MANWAY
- ⑤ INLET BAFFLE
- ⑥ COALESCING MEDIA
- ⑦ OIL RETENTION BAFFLE
- ⑧ WEIR WALL
- ⑨ VERTICAL OUTLET FLUME
- ⑩ 1 1/2"Ø SLUDGE DRAW OFF, FPT
- ⑪ 2"Ø LEVEL SWITCH MTG. PROVISION, FLANGED
- ⑫ BOTTOM HOLD DOWN FLANGE

WEIGHTS & CAPACITIES

EMPTY WGT. APPROX.=575#
 OPERATING CAP.=755 GAL.
 OPERATING WGT.=6,865#
 NORMAL OIL CAP.=30 GAL.
 OIL SPILL CAP.=340 GAL.

MODEL: RF-F-100 G.P.M.	OWS JOB No. -	DRAWING No. 3S5032	DRAWN BY: TMB CHECKED BY:
	JOB: OWS TECHNOLOGIES	FILE: RF-F-100 7/9/13	DATE: 7/9/13
			
OIL WATER SEPARATOR TECHNOLOGIES, LLC 1109 25TH STREET W.P.B., FL. 33407			
THIS DRAWING AND SPECIFICATION IS THE PROPERTY OF OWS TECHNOLOGIES, 1109 25TH STREET WEST PALM BEACH, FL. 33411. NO PARTS OF THIS DRAWING OR SPECIFICATION SHALL BE REPRODUCED WITHOUT WRITTEN PERMISSION.			