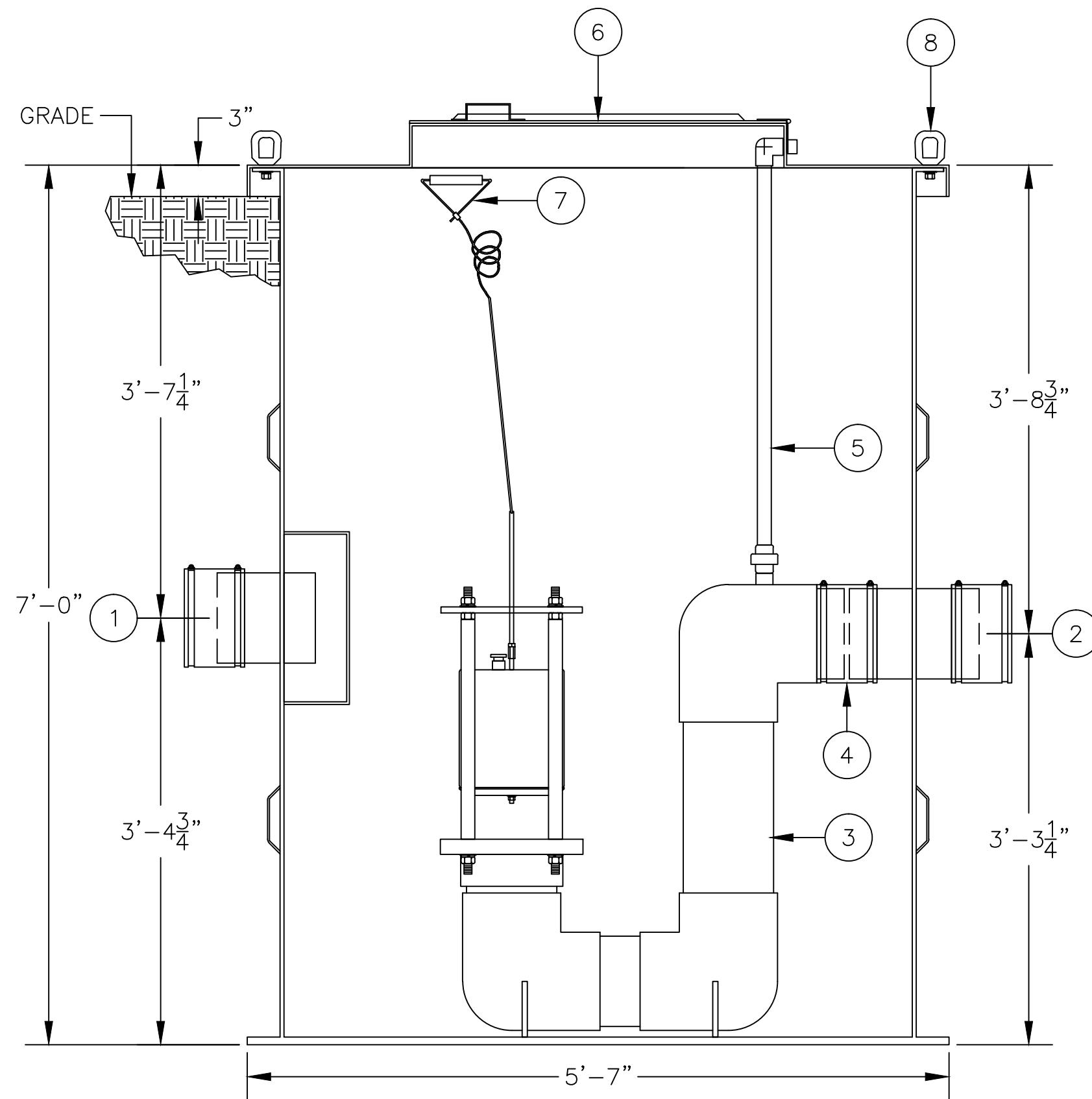


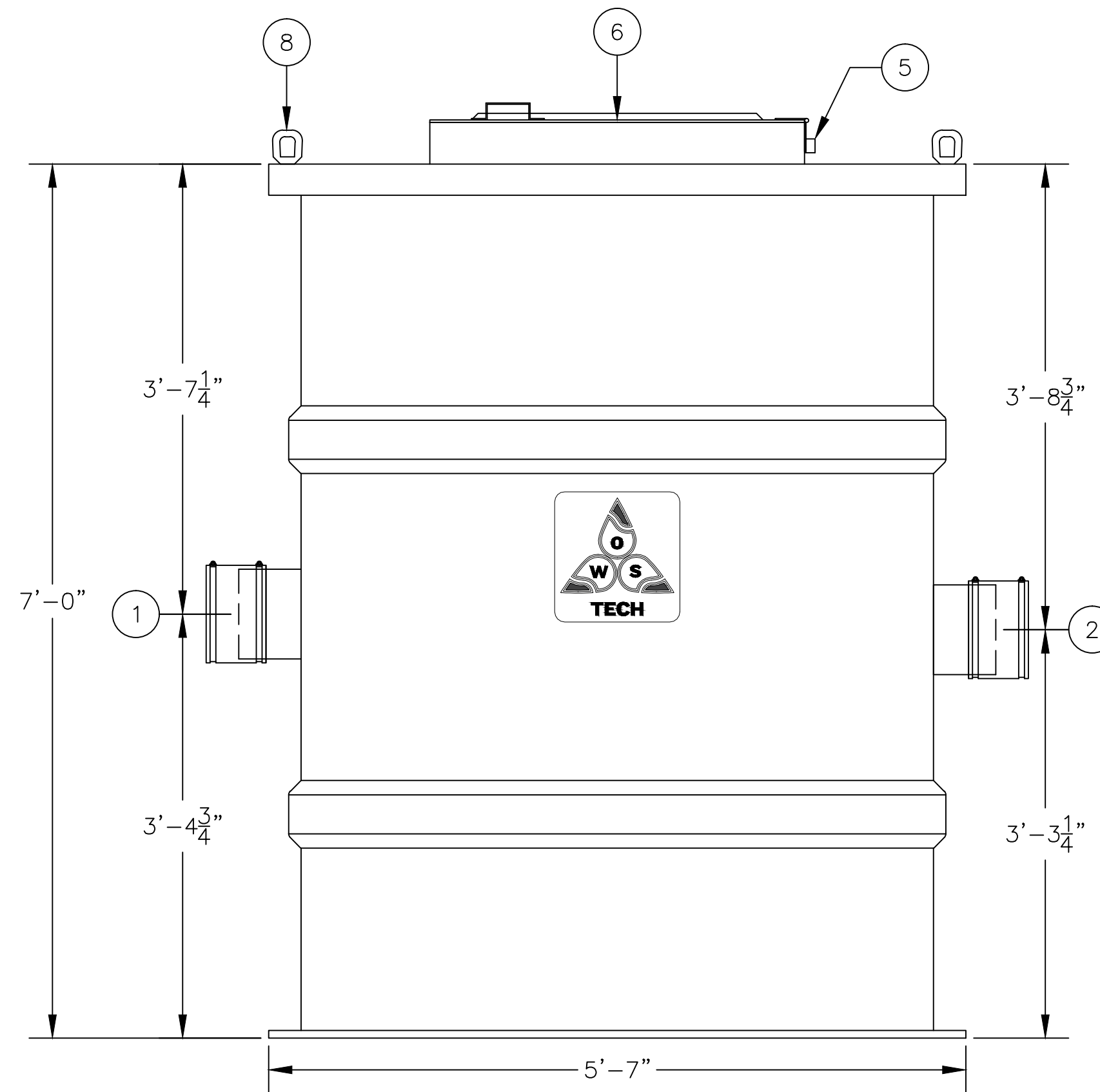
PLAN

ASSEMBLY LIST

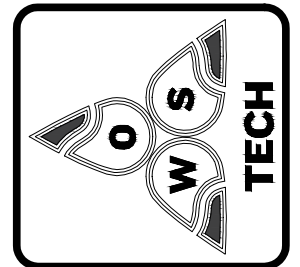
- ① 8"Ø INLET, PIPE STUB W/ FLEX CONNECTOR
- ② 8"Ø OUTLET, PIPE STUB W/ FLEX CONNECTOR
- ③ 8"Ø OIL STOP VALVE
- ④ 8"Ø FLEXIBLE CONNECTOR
- ⑤ 1"Ø VENT/SIPHON BREAKER
- ⑥ 4'-0" x 3'-0" MANWAY
- ⑦ FLOAT LIFT CABLE
- ⑧ LIFTING LUGS



SECTION "A-A"



SIDE VIEW



**OIL WATER SEPARATOR
TECHNOLOGIES, LLC**
1109 25TH STREET W.P.B., FL. 33407

OWS JOB No. 1

MODEL: OCS-8

DRAWING No. 355043

JOB: OWS TECHNOLOGIES

FILE: OCS-8 9/25/13

SCALE: 1=6

DATE: 9/25/13

THIS DRAWING AND SPECIFICATION IS THE PROPERTY OF OWS TECHNOLOGIES 1109 25TH STREET WEST PALM BEACH, FL. 33407. IT IS TO BE REPRODUCED WITHOUT WRITTEN PERMISSION.

DRAWN BY: TMB

CHECKED BY: