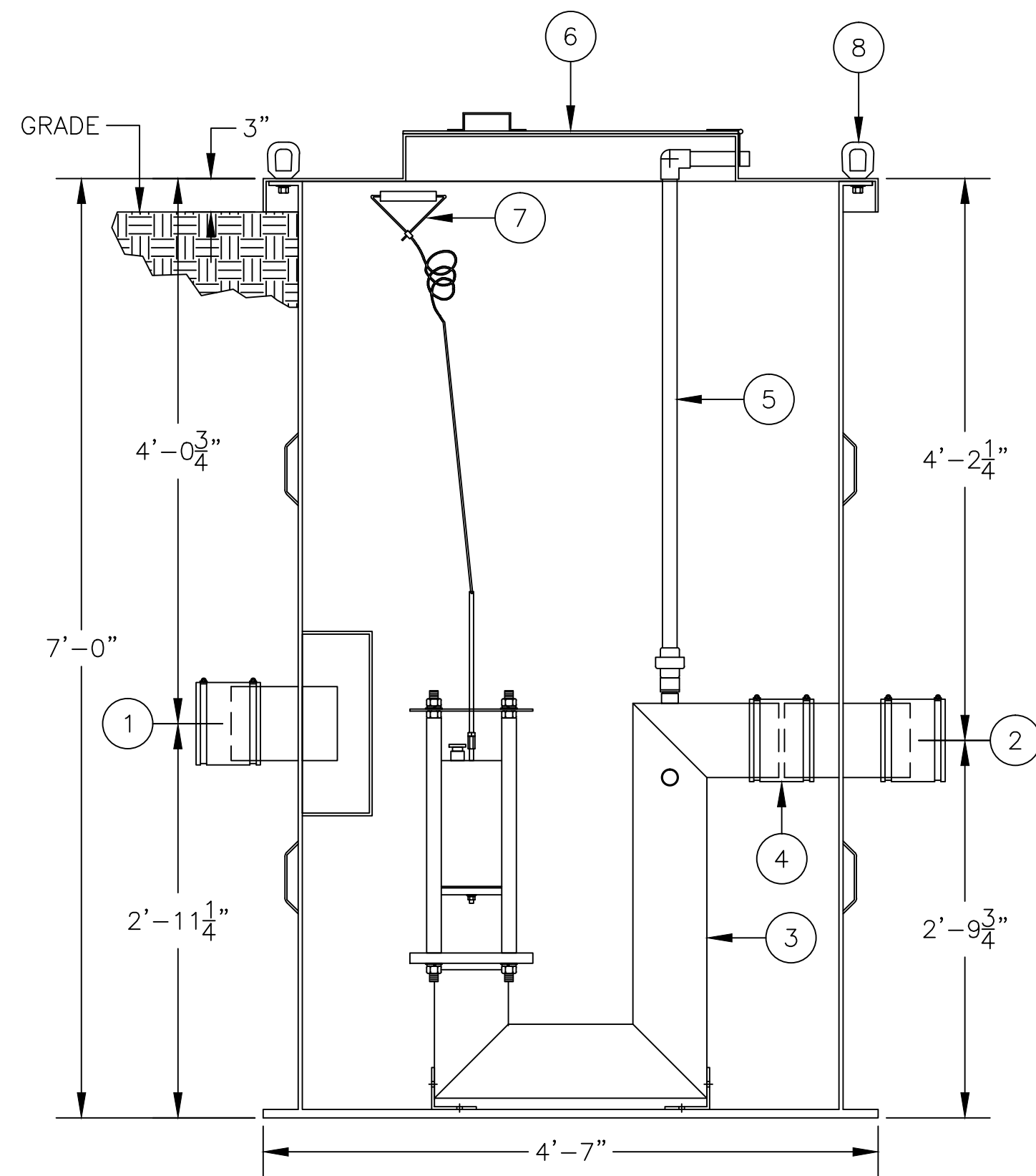


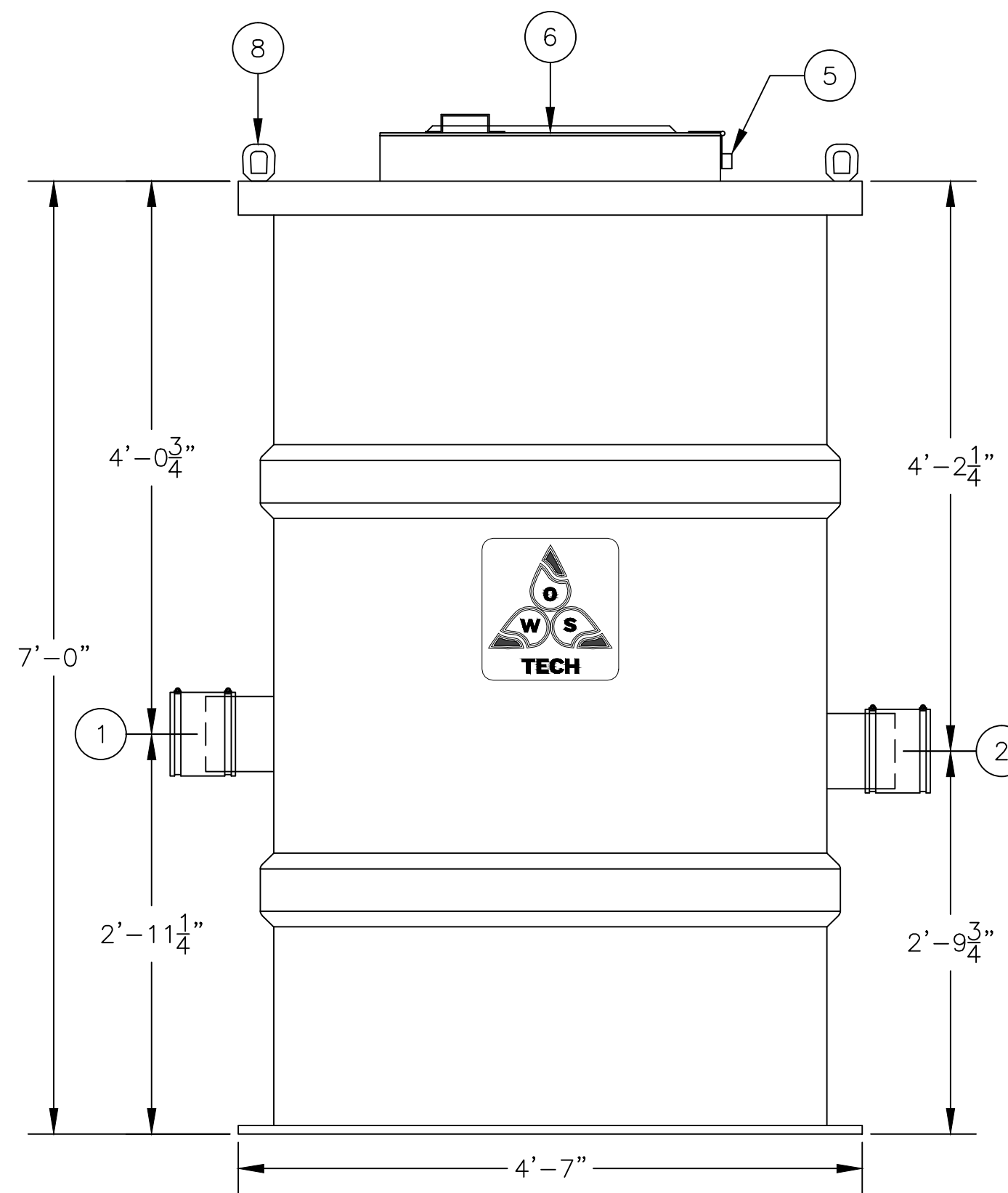
PLAN

ASSEMBLY LIST

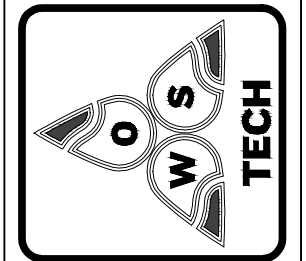
- ① 6"Ø INLET, PIPE STUB W/ FLEX CONNECTOR
- ② 6"Ø OUTLET, PIPE STUB W/ FLEX CONNECTOR
- ③ 6"Ø OIL STOP VALVE
- ④ 6"Ø FLEXIBLE CONNECTOR
- ⑤ 1"Ø VENT/SIPHON BREAKER
- ⑥ 3'-0" x 2'-6" MANWAY
- ⑦ FLOAT LIFT CABLE
- ⑧ LIFTING LUGS



SECTION "A-A"



SIDE VIEW



**OIL WATER SEPARATOR
TECHNOLOGIES, LLC**
1109 25TH STREET W.P.B., FL. 33407

DRAWN BY: TMB
CHECKED BY:

THIS DRAWING AND SPECIFICATION IS THE PROPERTY OF OWS TECHNOLOGIES, 1109 25TH STREET WEST PALM BEACH, FL. 33407 AND SHALL NOT BE REPRODUCED WITHOUT WRITTEN PERMISSION.

SCALE: 1 = 12
DATE: 9/16/13

OWS JOB No.

OCS-6SS

DRAWING No. 355051
FILE: OCS-6 9/16/13

OWS TECHNOLOGIES

MODEL: