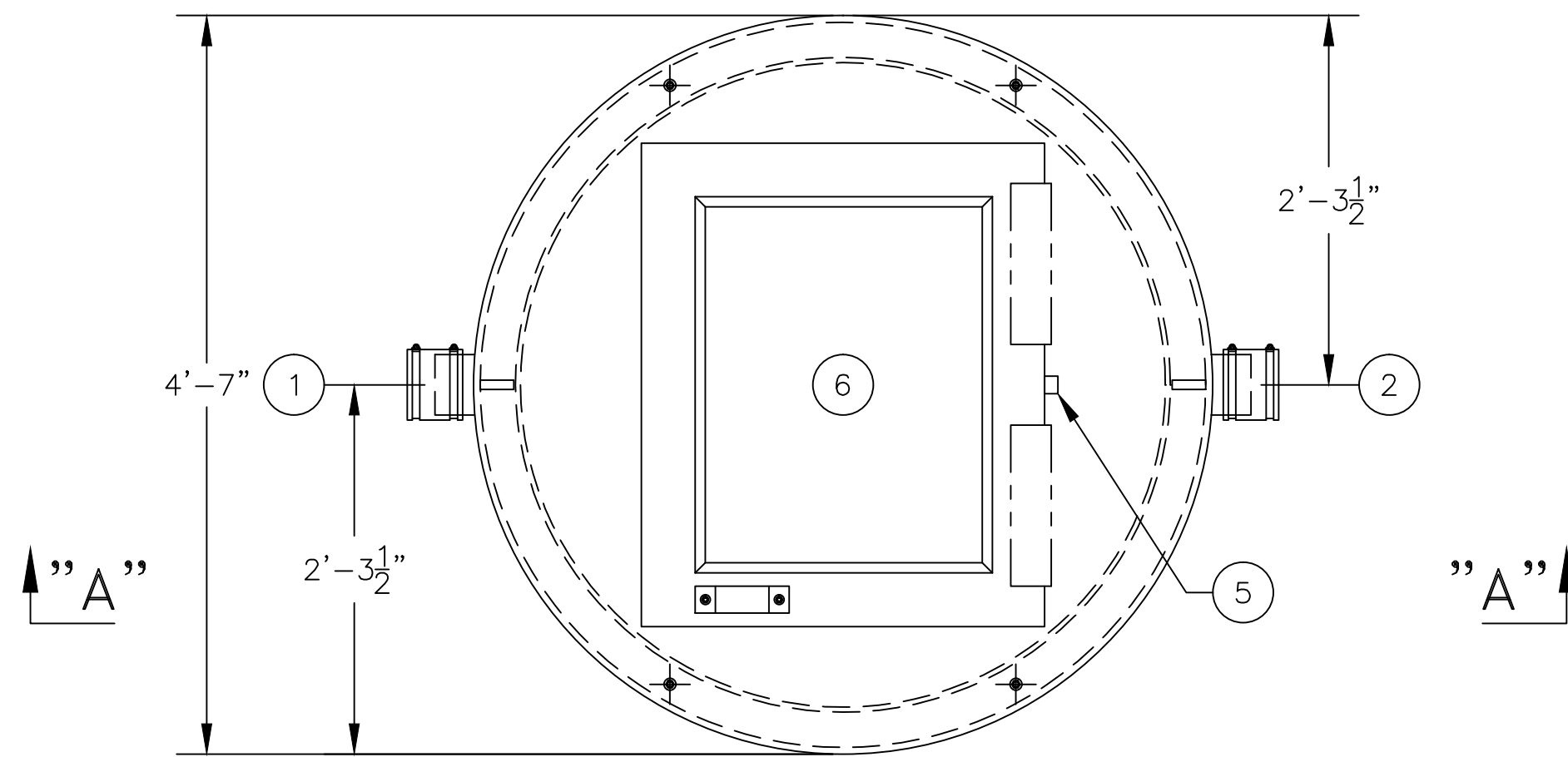
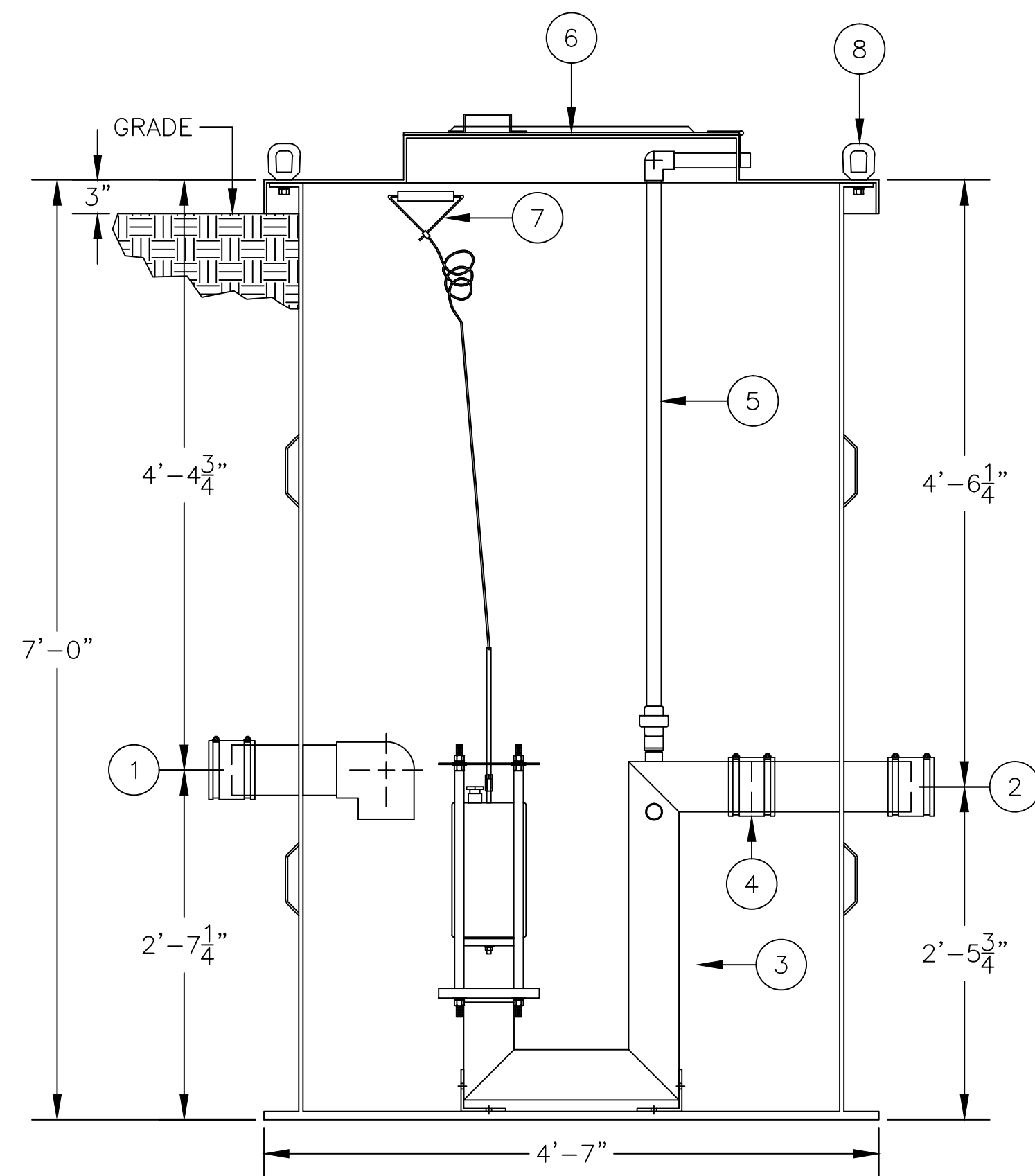


ASSEMBLY LIST

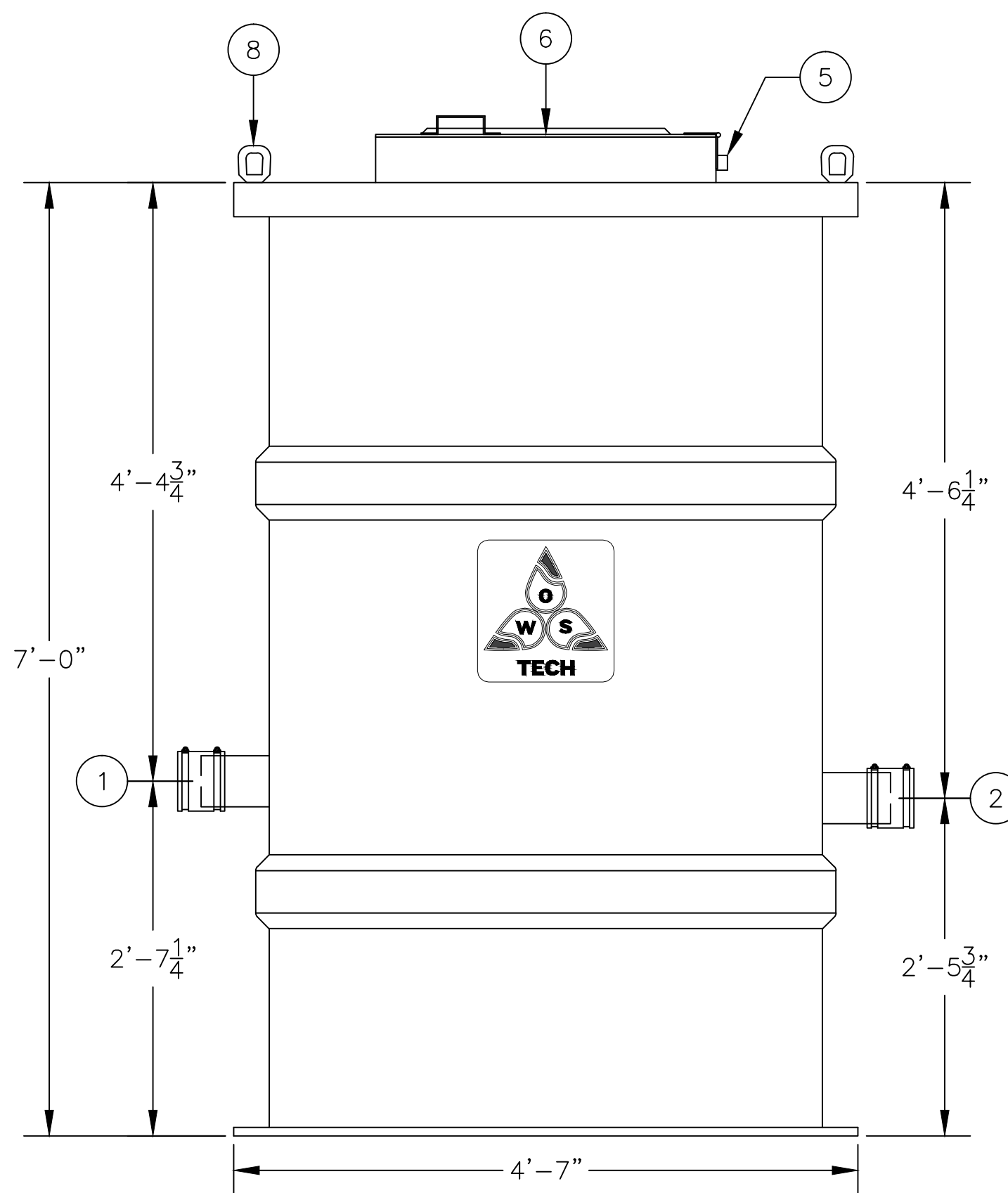
- ① 4"Ø INLET, PIPE STUB W/ FLEX CONNECTOR
- ② 4"Ø OUTLET, PIPE STUB W/ FLEX CONNECTOR
- ③ 4"Ø OIL STOP VALVE
- ④ 4"Ø FLEXIBLE CONNECTOR
- ⑤ 1"Ø VENT/SIPHON BREAKER
- ⑥ 3'-0" x 2'-6" MANWAY
- ⑦ FLOAT LIFT CABLE
- ⑧ LIFTING LUGS



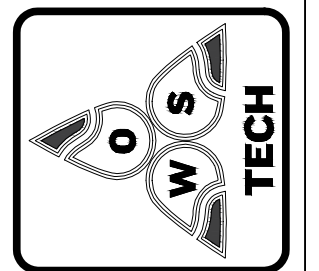
PLAN



SECTION "A-A"



SIDE VIEW



OIL WATER SEPARATOR
TECHNOLOGIES, LLC
 1109 25TH STREET W.P.B., FL. 33407

OWS JOB No. -

MODEL: OCS-4SS

JOB:

DRAWING No. 3S5050
 FILE: OCS-4 9/16/13

OWS TECHNOLOGIES

THIS DRAWING AND SPECIFICATION IS THE PROPERTY OF OWS TECHNOLOGIES, 1109 25TH STREET WEST PALM BEACH, FL. 33407. NO PART OF THIS DRAWING OR SPECIFICATION SHALL BE REPRODUCED WITHOUT WRITTEN PERMISSION.

SCALE: 1 = 12

DATE: 9/16/13

DRAWN BY: TMB

CHECKED BY: