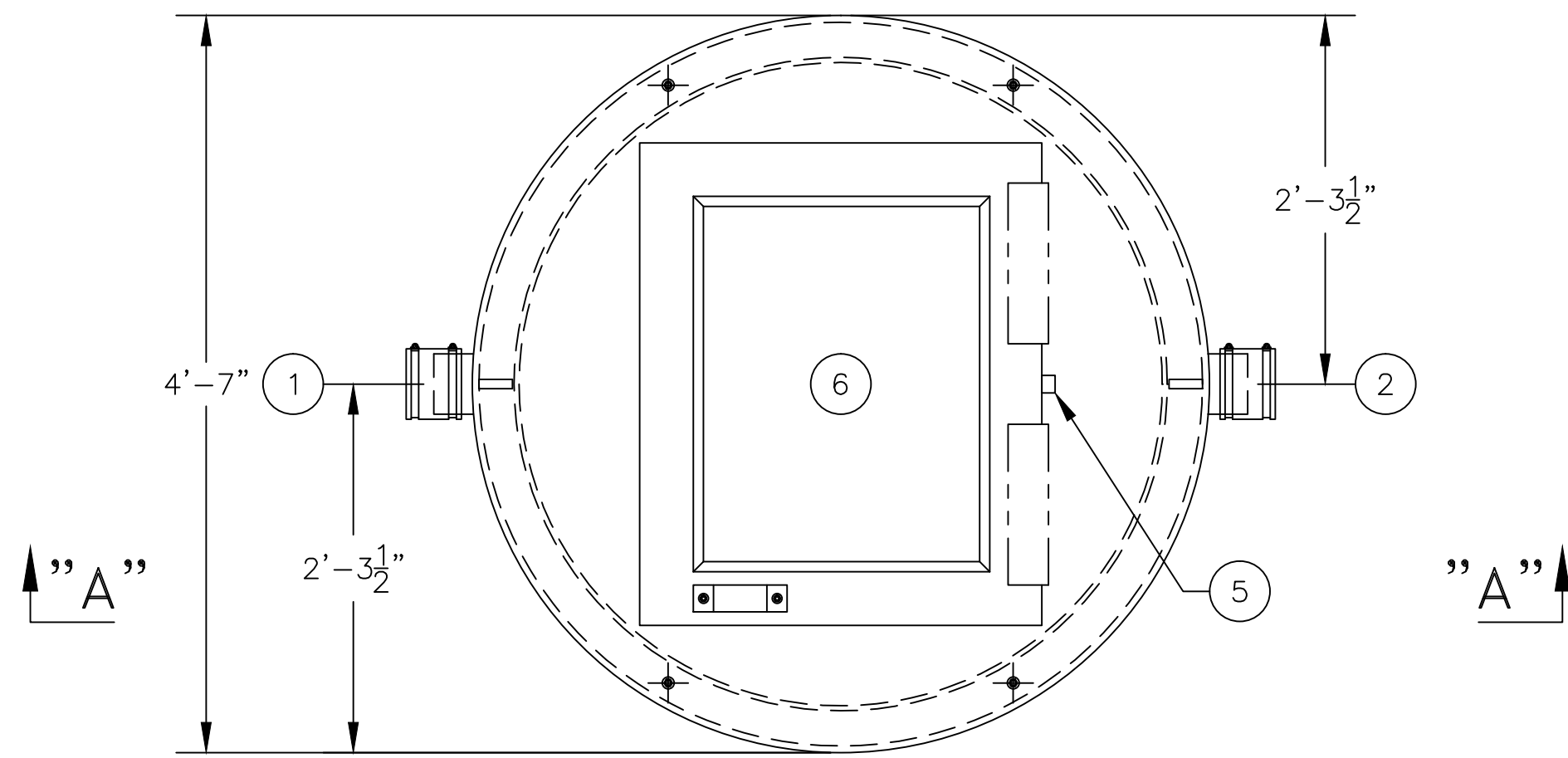
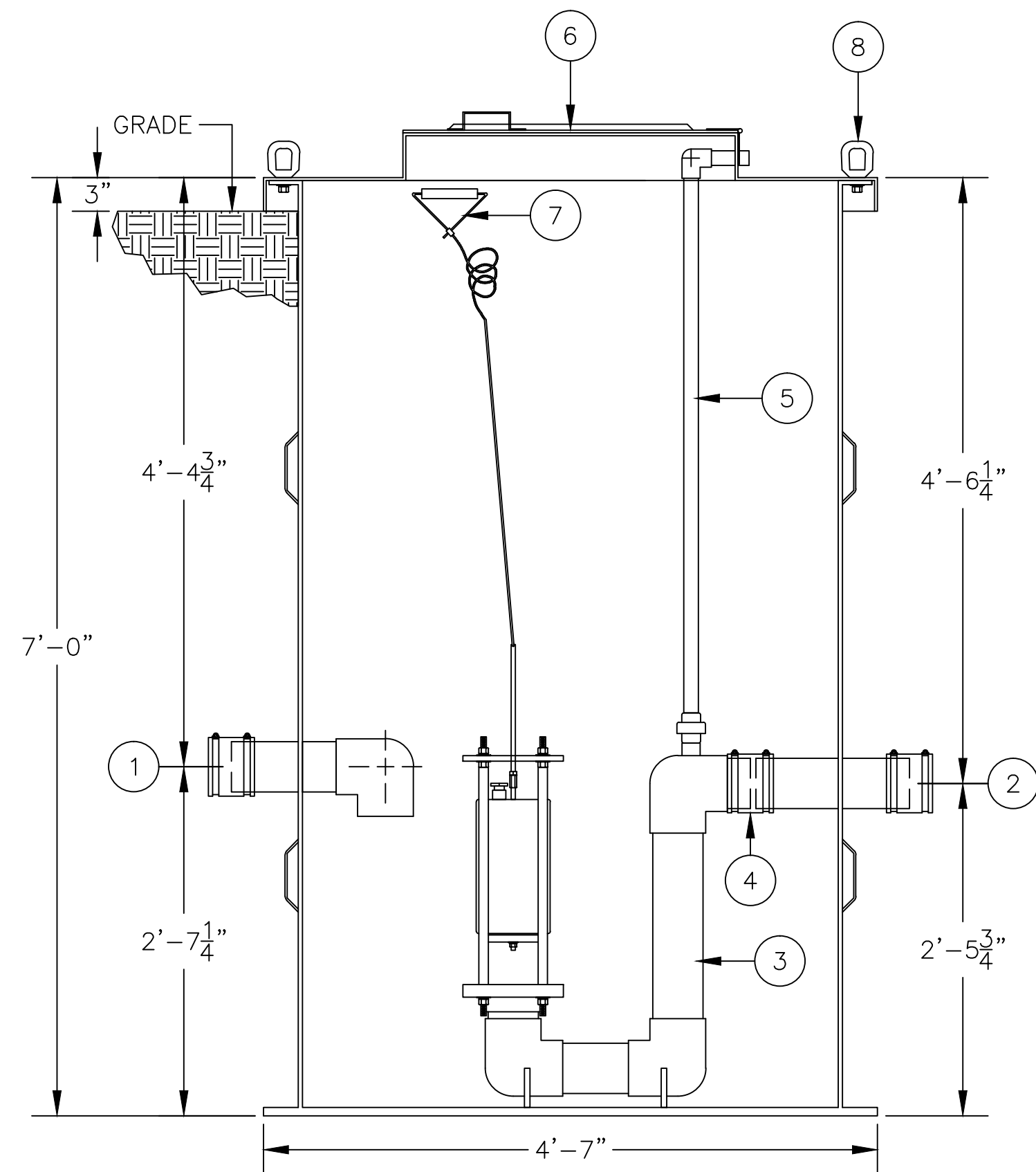


ASSEMBLY LIST

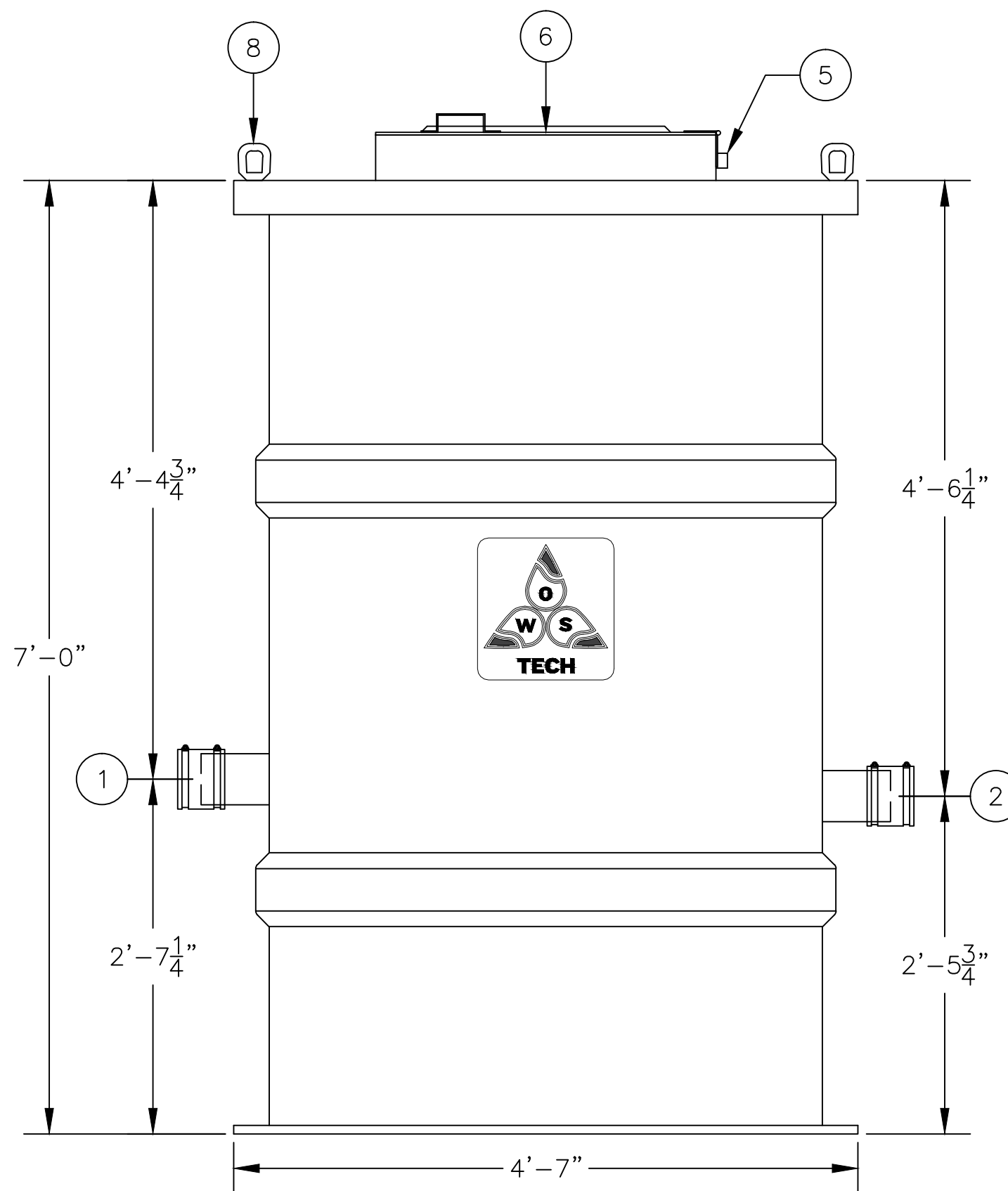
- ① 4"Ø INLET, PIPE STUB W/ FLEX CONNECTOR
- ② 4"Ø OUTLET, PIPE STUB W/ FLEX CONNECTOR
- ③ 4"Ø OIL STOP VALVE
- ④ 4"Ø FLEXIBLE CONNECTOR
- ⑤ 1"Ø VENT/SIPHON BREAKER
- ⑥ 3'-0" x 2'-6" MANWAY
- ⑦ FLOAT LIFT CABLE
- ⑧ LIFTING LUGS



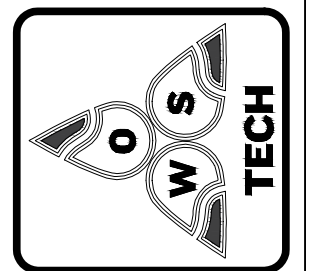
PLAN



SECTION "A-A"



SIDE VIEW



**OIL WATER SEPARATOR
TECHNOLOGIES, LLC**
1109 25TH STREET W.P.B., FL. 33407

OWS JOB No. -

MODEL: OCS-4

DRAWING No. 3S5041
FILE: OCS-4 9/16/13

JOB: OWS TECHNOLOGIES

THIS DRAWING AND SPECIFICATION IS THE PROPERTY OF OWS TECHNOLOGIES, 1109 25TH STREET WEST PALM BEACH, FL. 33407. NO PARTS SHALL BE REPRODUCED WITHOUT WRITTEN PERMISSION.

SCALE: 1 = 12

DATE: 9/16/13

DRAWN BY: TMB

CHECKED BY: