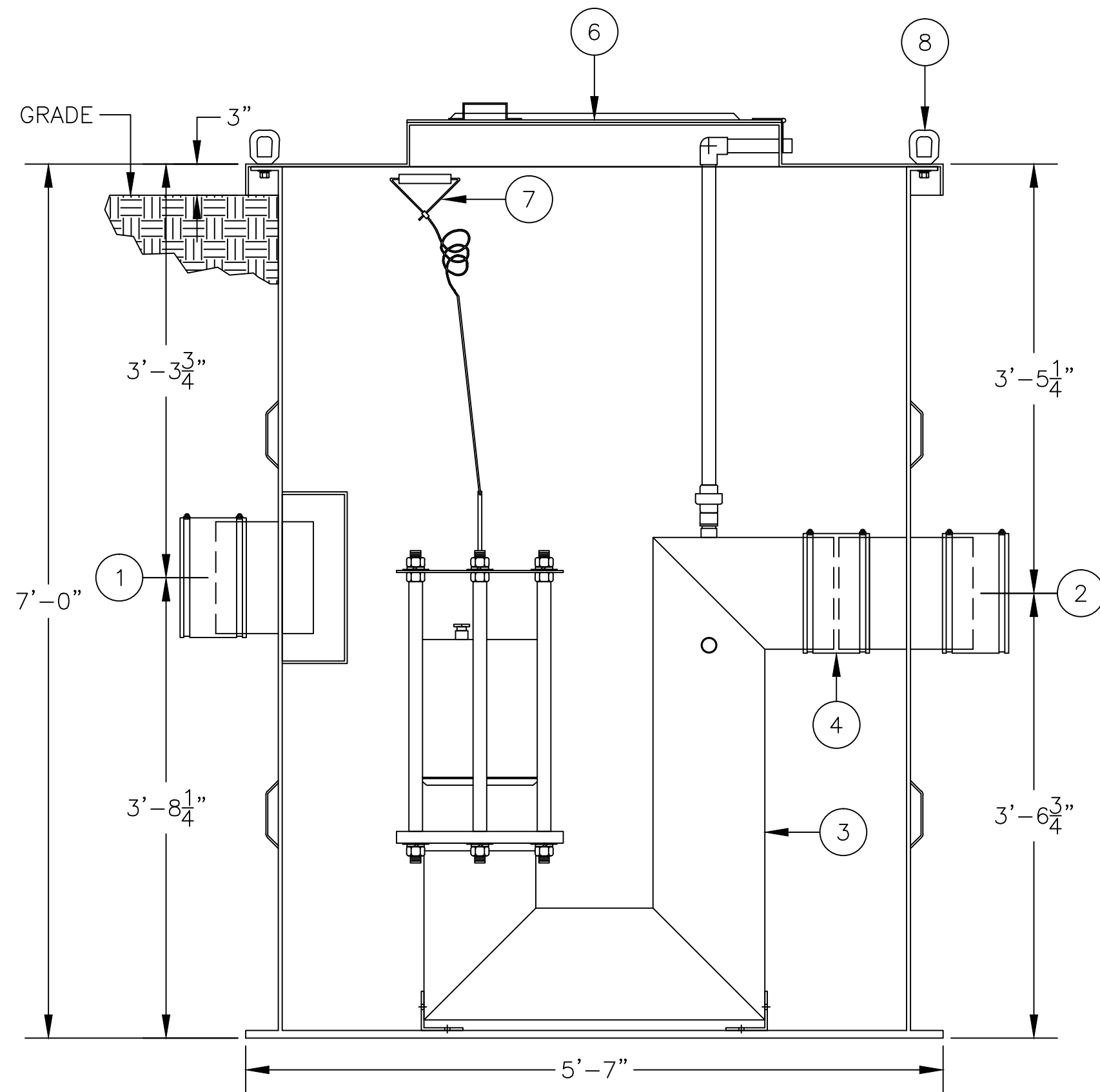


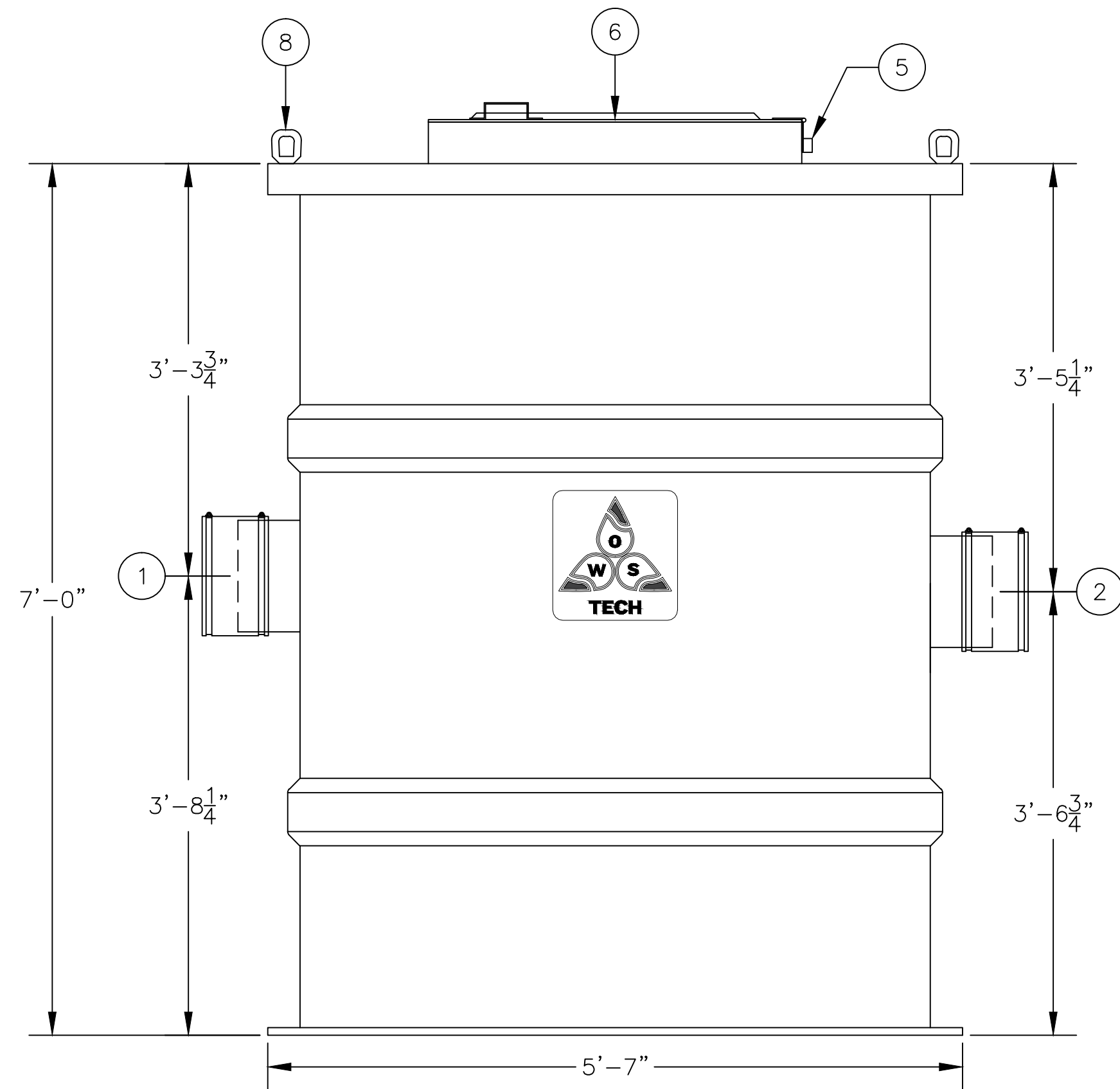
PLAN

ASSEMBLY LIST

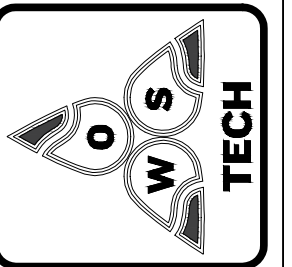
- ① 10"Ø INLET, PIPE STUB W/ FLEX CONNECTOR
- ② 10"Ø OUTLET, PIPE STUB W/ FLEX CONNECTOR
- ③ 10"Ø OIL STOP VALVE
- ④ 10"Ø FLEXIBLE CONNECTOR
- ⑤ 1"Ø VENT/SIPHON BREAKER
- ⑥ 4'-0" x 3'-0" MANWAY
- ⑦ FLOAT LIFT CABLE
- ⑧ LIFTING LUGS



SECTION "A-A"



SIDE VIEW



**OIL WATER SEPARATOR
TECHNOLOGIES, LLC**
1109 25TH STREET W.P.B., FL. 33407

MODEL:	OCS-10SS
JOB:	OWS TECHNOLOGIES
OWS JOB No.:	-
DRAWING No.:	3S5053
FILE:	OCS-10 9/25/13

SCALE:	1=6	DRAWN BY:	TMB
DATE:	9/25/13	CHECKED BY:	

THIS DRAWING AND SPECIFICATION IS THE PROPERTY OF OWS TECHNOLOGIES 1109 25TH STREET WEST PALM BEACH, FL 33407. IT IS TO BE REPRODUCED ONLY WITH THE WRITTEN PERMISSION OF OWS TECHNOLOGIES.