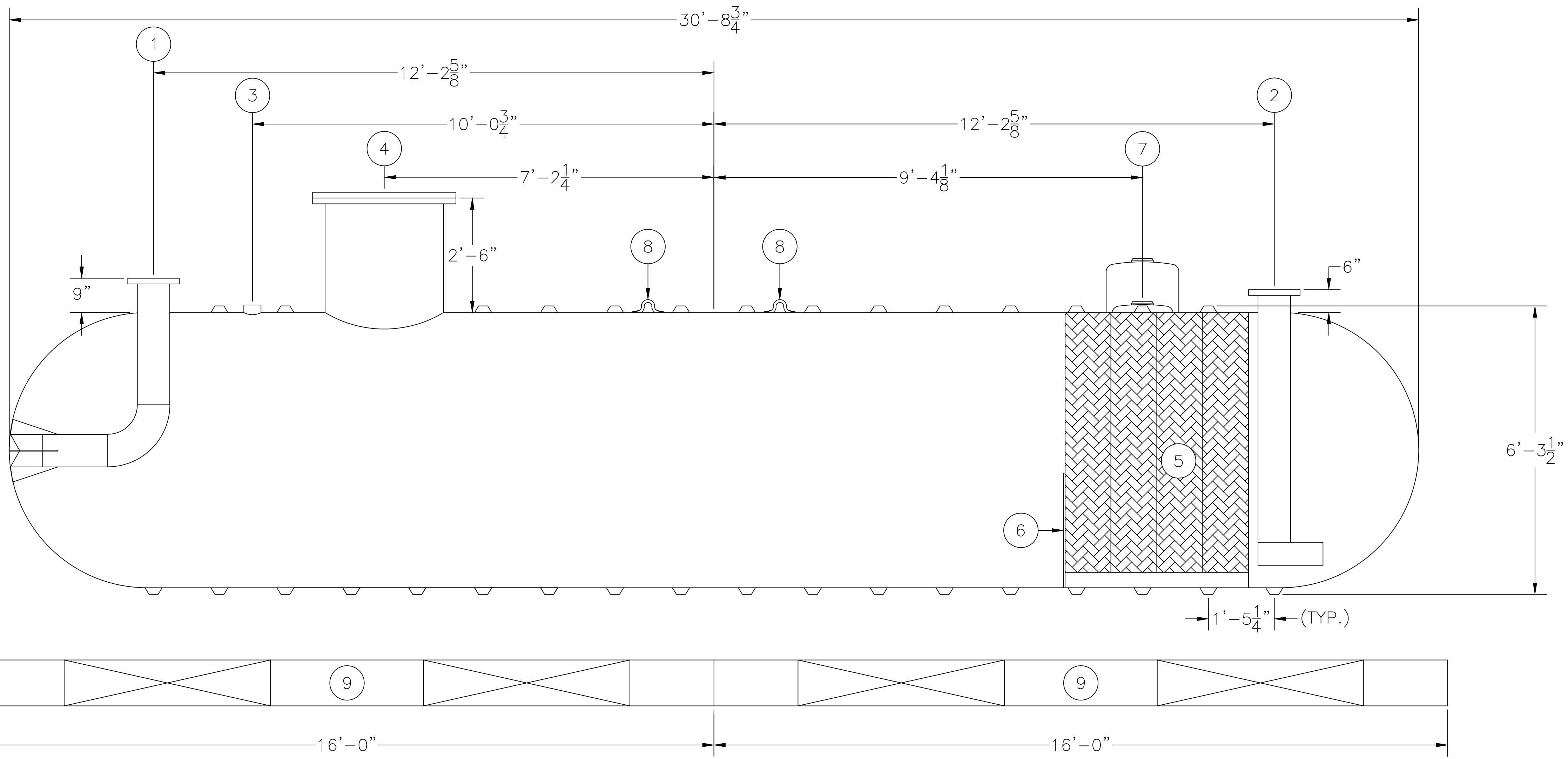


### ASSEMBLY LIST

- ① 8"Ø INLET, FLANGED
- ② 8"Ø OUTLET, FLANGED
- ③ 4"Ø FPT DUPLEX SERVICE FITTING
- ④ 2'-6"Ø MANWAY W/ (2) FPT FITTINGS
- ⑤ COALESCING MEDIA
- ⑥ SLUDGE BAFFLE
- ⑦ 4"Ø FPT MONITOR FITTING OR OPTIONAL HYDROSTATIC RESERVOIR (DW ONLY)
- ⑧ LIFTING LUGS
- ⑨ OPTIONAL PREFABRICATED DEADMAN



**WEIGHTS & CAPACITIES**  
 6'Ø - 6,000 GAL. TANK SW OR DW  
 NOMINAL WGT. SW 5,100#  
 NOMINAL WGT. DW 6,000#  
 MAX. SPILL CAPACITY 3,600 GAL.

<b>OIL WATER SEPARATOR</b> <b>TECHNOLOGIES, LLC</b> 1109 25TH STREET W.P.B., FL. 33407	DRAWN BY: TMB CHECKED BY:
	THIS DRAWING AND SPECIFICATION IS THE PROPERTY OF OWS TECHNOLOGIES, 1109 25TH STREET WEST PALM BEACH, FL. 33407 AND SHALL NOT BE REPRODUCED WITHOUT WRITTEN PERMISSION.
SCALE: N.T.S. DATE: 12/18/14	OWS JOB No. - DRAWING No. 4S5050 FILE: 6-6K-292-SIGW 12/18/14
MODEL: HB-F-6-6K-4 292 G.P.M.	JOB: OWS TECHNOLOGIES