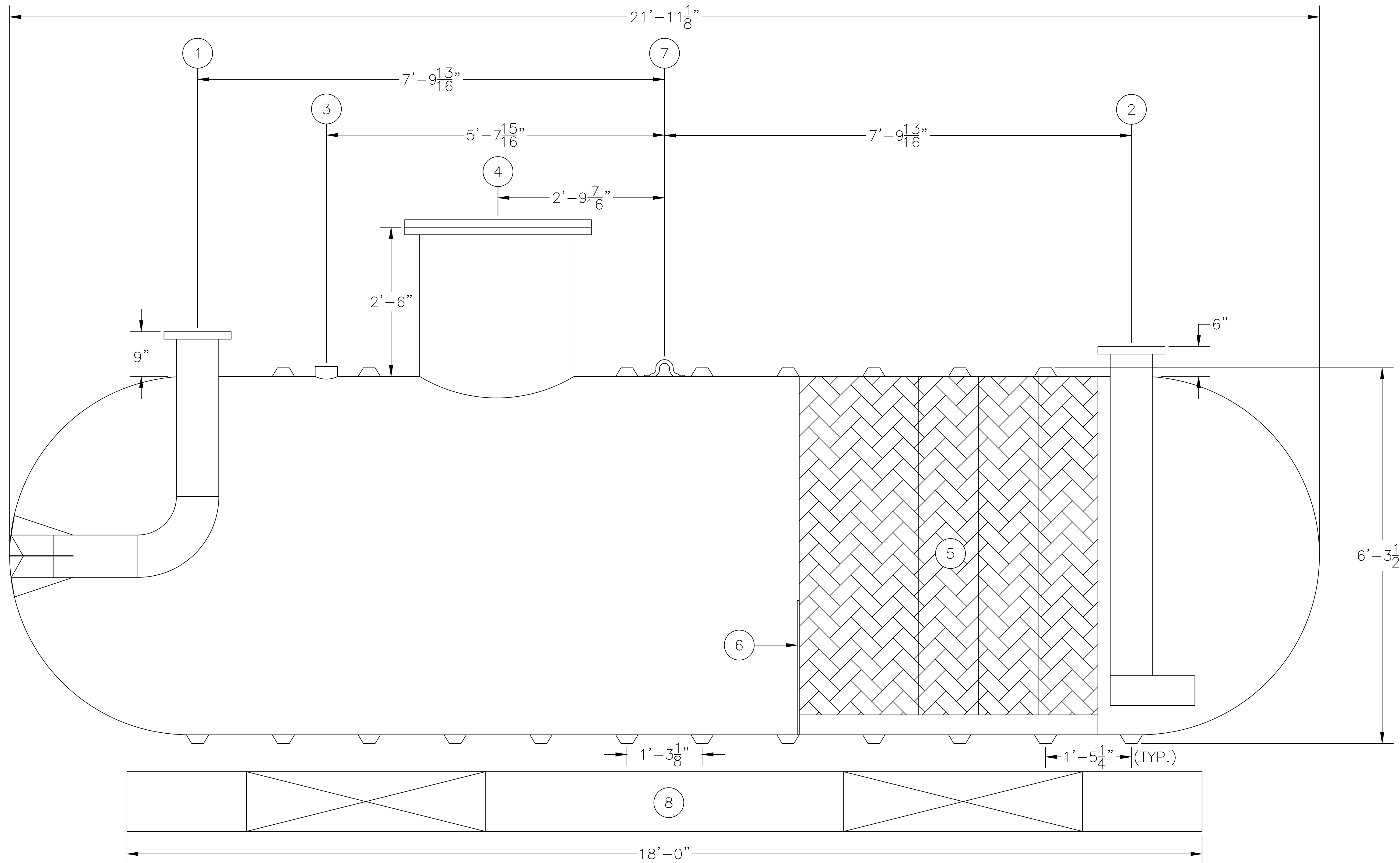
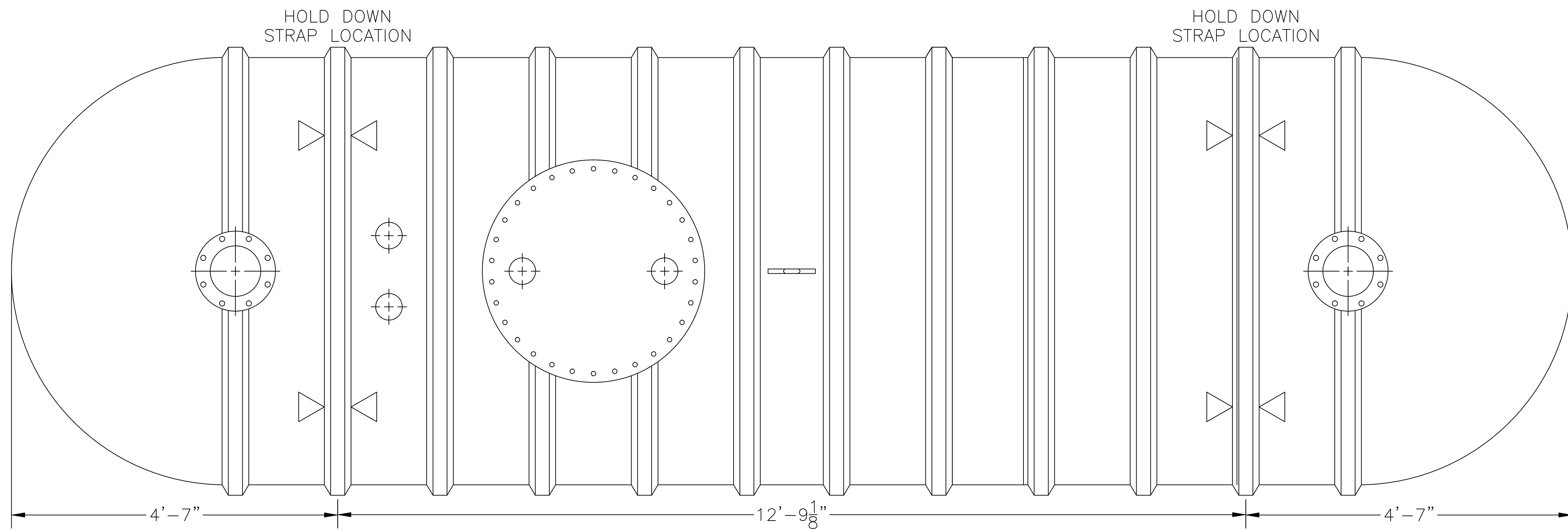


ASSEMBLY LIST

- ① 8"Ø INLET, FLANGED
- ② 8"Ø OUTLET, FLANGED
- ③ 4"Ø FPT DUPLEX SERVICE FITTING
- ④ 2'-6"Ø MANWAY W/ (2) FPT FITTINGS
- ⑤ COALESCING MEDIA
- ⑥ SLUDGE BAFFLE
- ⑦ LIFTING LUG
- ⑧ OPTIONAL PREFABRICATED DEADMAN

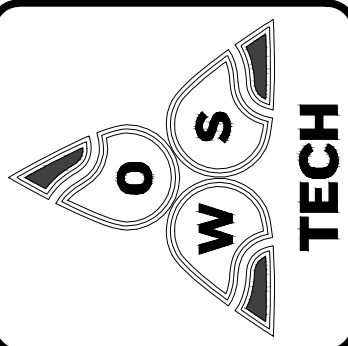


WEIGHTS & CAPACITIES

6'Ø - 4,000 GAL. TANK SW
 NOMINAL WGT. SW 4,000#
 MAX. SPILL CAPACITY 2,400 GAL.

| | | | |
|---|----------------|---------------|-------------|
| SCALE: N.T.S. | DATE: 12/31/14 | DRAWN BY: TMB | CHECKED BY: |
| THIS DRAWING AND SPECIFICATION IS THE PROPERTY OF OWS TECHNOLOGIES, 1109 25TH STREET WEST PALM BEACH, FL. 33407 AND SHALL NOT BE REPRODUCED WITHOUT WRITTEN PERMISSION. | | | |

OIL WATER SEPARATOR
TECHNOLOGIES, LLC
 1109 25TH STREET W.P.B., FL. 33407



| | |
|----------------------------------|--|
| MODEL: HB-F-6-4K-4 365 G.P.M. SW | OWS JOB No. - |
| JOB: OWS TECHNOLOGIES | DRAWING No. 4S5154 FILE: 6-4K-365-SW 12/31/14 |