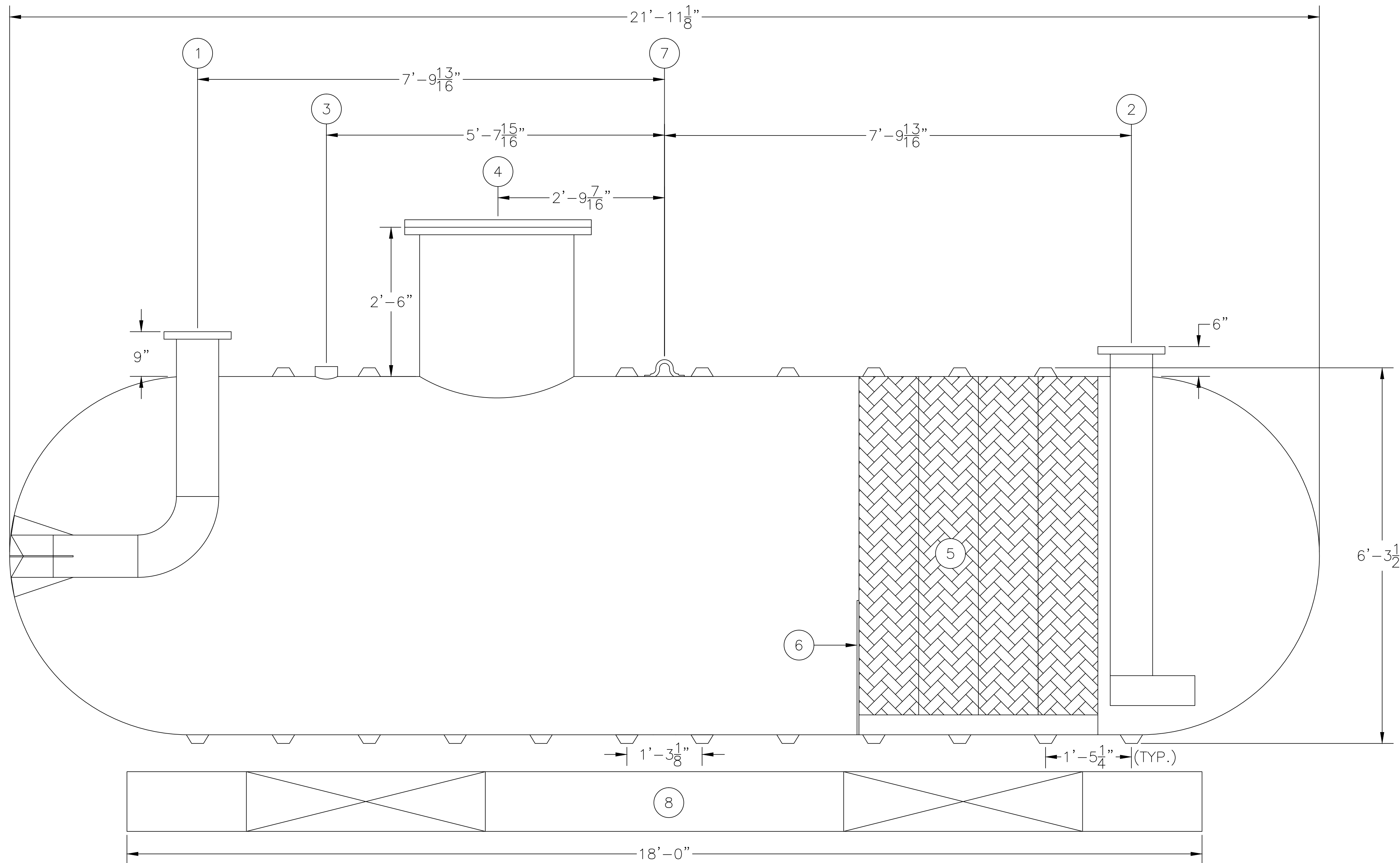
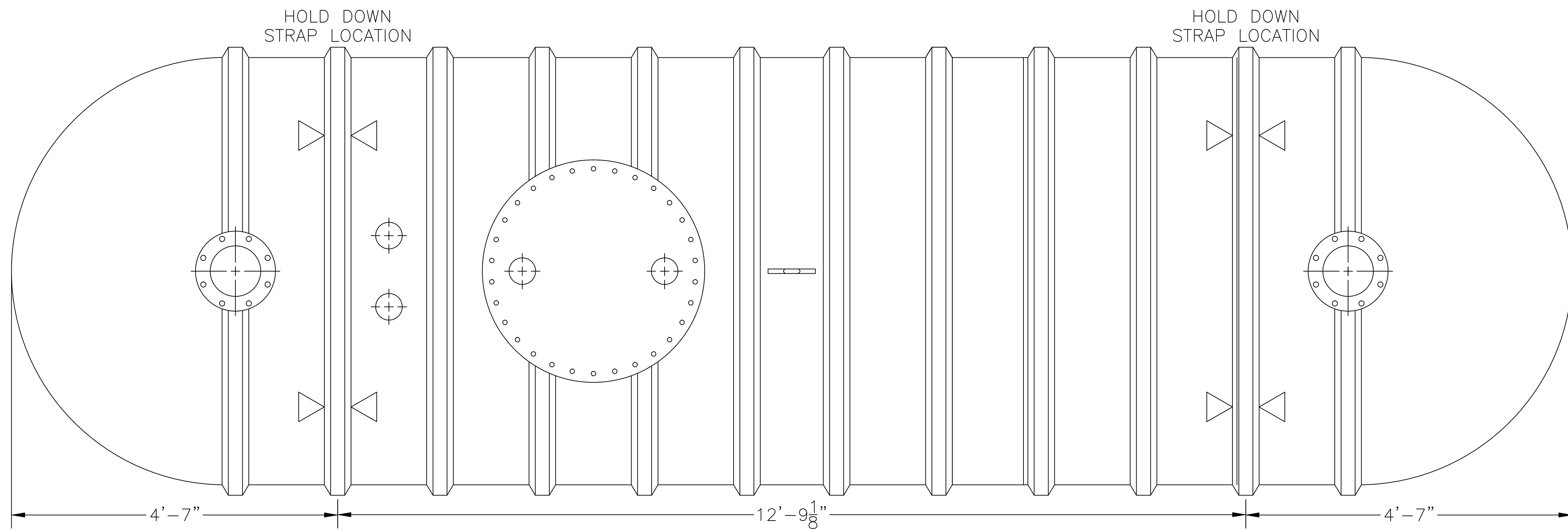


ASSEMBLY LIST

- ① 8"Ø INLET, FLANGED
- ② 8"Ø OUTLET, FLANGED
- ③ 4"Ø FPT DUPLEX SERVICE FITTING
- ④ 2'-6"Ø MANWAY W/ (2) FPT FITTINGS
- ⑤ COALESCING MEDIA
- ⑥ SLUDGE BAFFLE
- ⑦ LIFTING LUG
- ⑧ OPTIONAL PREFABRICATED DEADMAN



WEIGHTS & CAPACITIES

6'Ø - 4,000 GAL. TANK SW
 NOMINAL WGT. SW 4,000#
 NOMINAL OIL STORAGE 380 GAL.
 MAX. SPILL CAPACITY 2,400 GAL.

SCALE: N.T.S.	DATE: 11/18/14
THIS DRAWING AND SPECIFICATION IS THE PROPERTY OF OWS TECHNOLOGIES, 1109 25TH STREET WEST PALM BEACH, FL. 33407 AND SHALL NOT BE REPRODUCED WITHOUT WRITTEN PERMISSION.	
DRAWN BY: TMB	CHECKED BY:

OIL WATER SEPARATOR
TECHNOLOGIES, LLC
 1109 25TH STREET W.P.B., FL. 33407

MODEL: HB-F-6-4K-4 292 G.P.M.	OWS JOB No. -
JOB: OWS TECHNOLOGIES	DRAWING No. 4S5038 FILE: 6-4K-292-SW 11/18/14