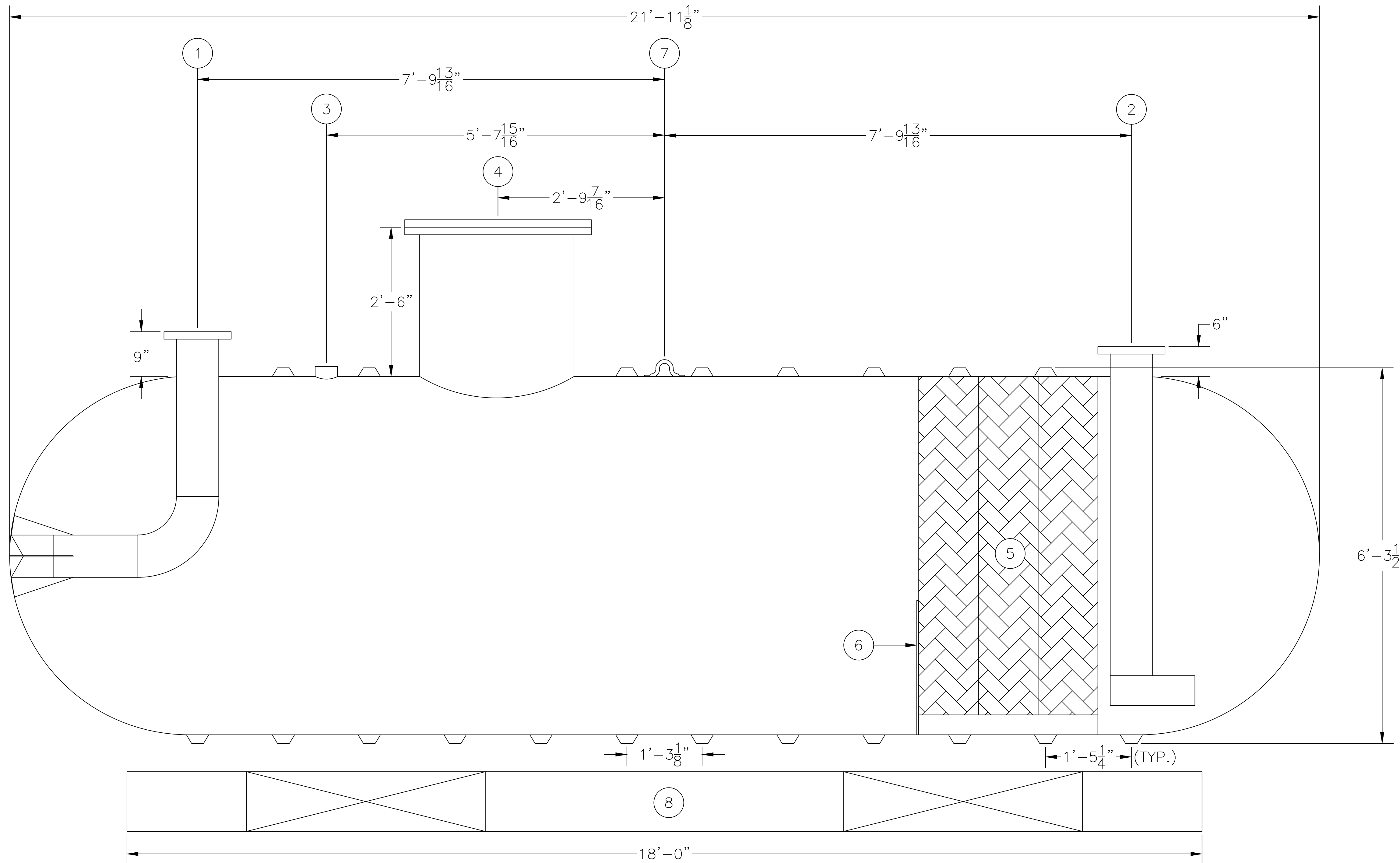
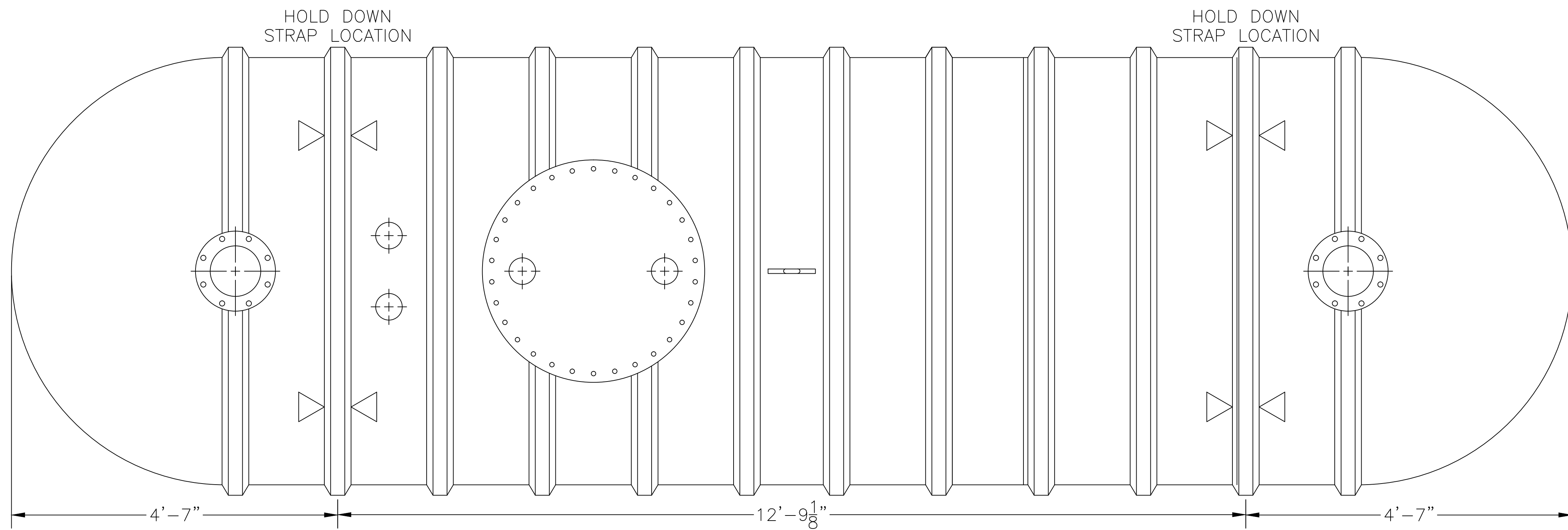


ASSEMBLY LIST

- ① 8"Ø INLET, FLANGED
- ② 8"Ø OUTLET, FLANGED
- ③ 4"Ø FPT DUPLEX SERVICE FITTING
- ④ 2'-6"Ø MANWAY W/ (2) FPT FITTINGS
- ⑤ COALESCING MEDIA
- ⑥ SLUDGE BAFFLE
- ⑦ LIFTING LUG
- ⑧ OPTIONAL PREFABRICATED DEADMAN



WEIGHTS & CAPACITIES

6'Ø - 4,000 GAL. TANK SW
 NOMINAL WGT. SW 4,000#
 MAX. SPILL CAPACITY 2,400 GAL.

SCALE: N.T.S.
 DATE: 10/8/14

THIS DRAWING AND SPECIFICATION IS THE PROPERTY OF OWS TECHNOLOGIES, 1109 25TH STREET WEST PALM BEACH, FL. 33407 AND SHALL NOT BE REPRODUCED WITHOUT WRITTEN PERMISSION.

DRAWN BY: TMB
 CHECKED BY:

OIL WATER SEPARATOR
TECHNOLOGIES, LLC
 1109 25TH STREET W.P.B., FL. 33407

MODEL: HB-F-6-4K-3 219 G.P.M. SW
 JOB: OWS TECHNOLOGIES

OWS JOB No. -
 DRAWING No. 4S5034
 FILE: 6-4K-219-SW 10/8/14