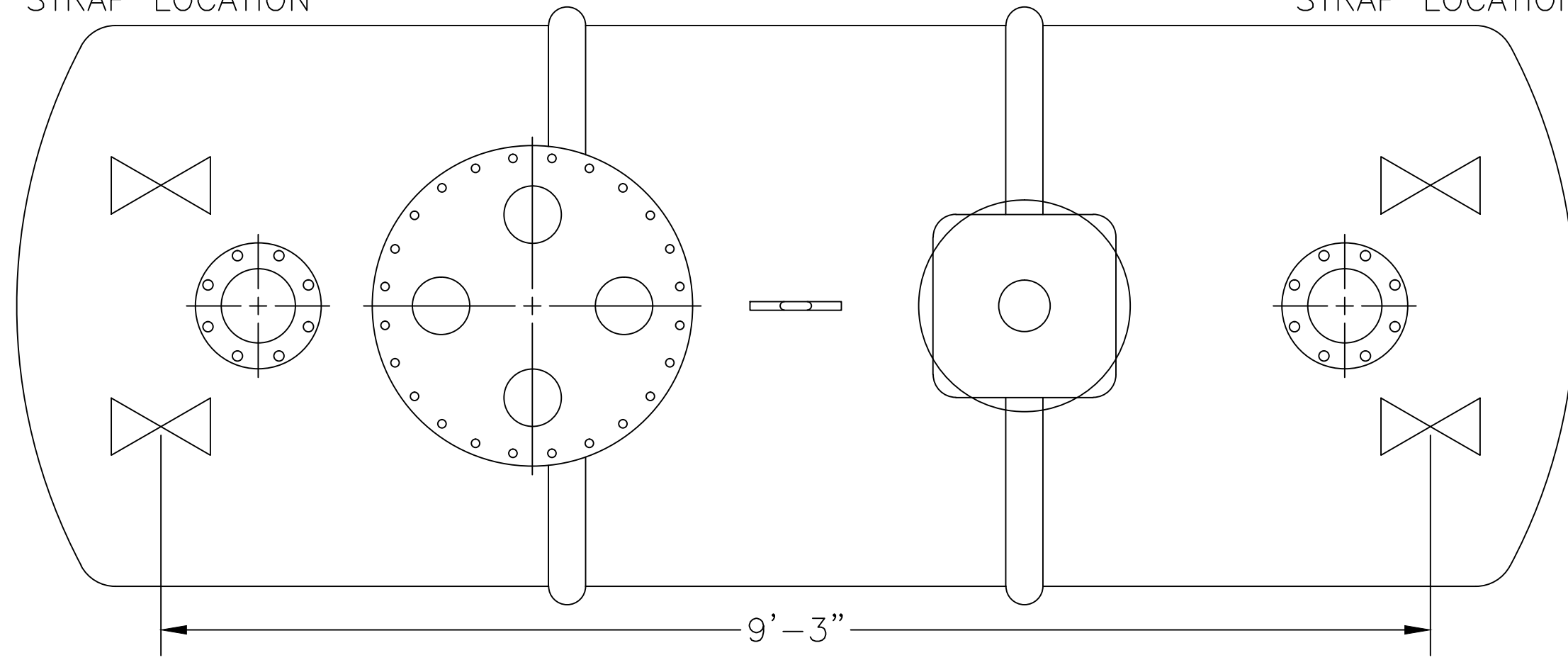


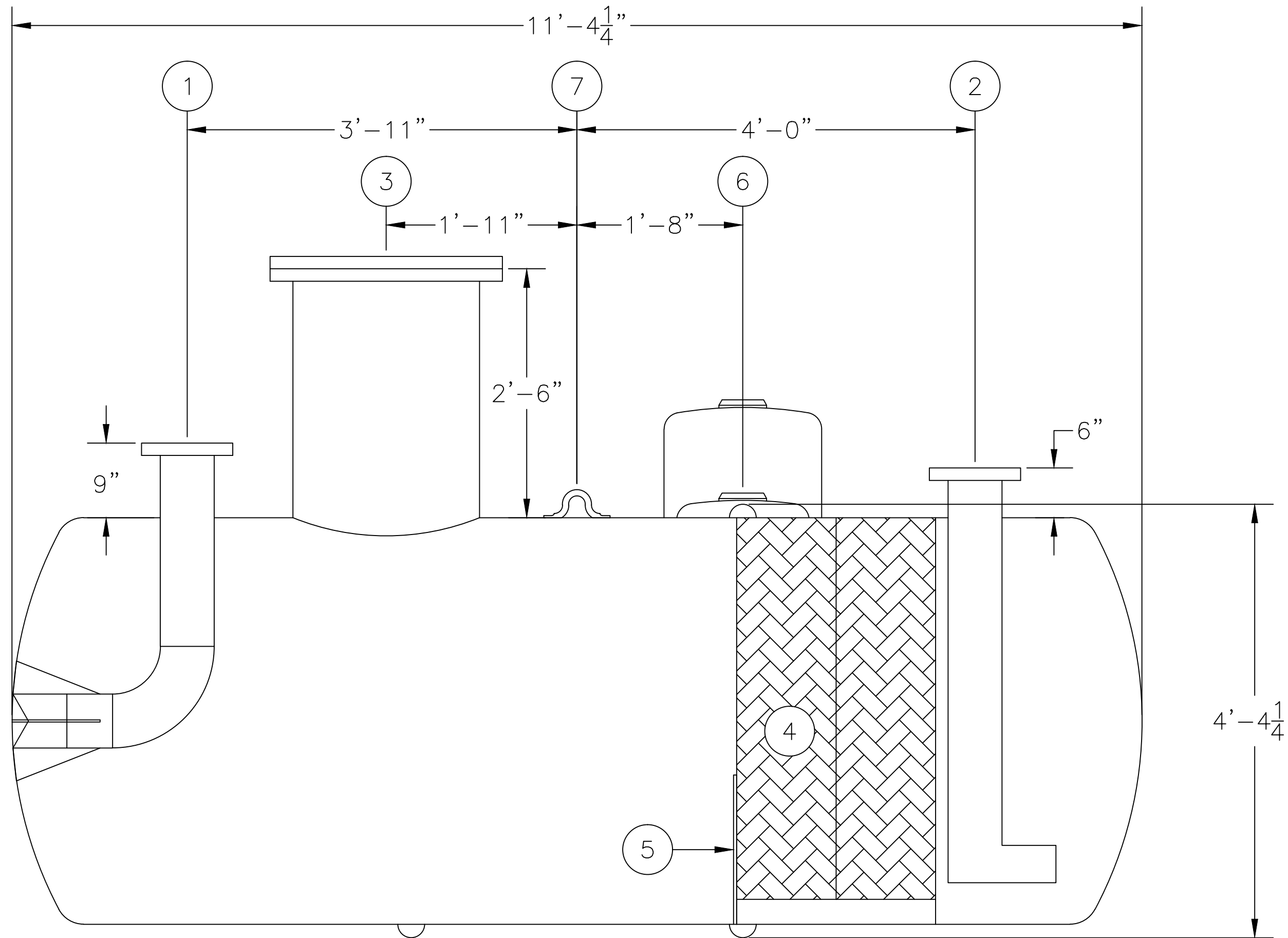
HOLD DOWN  
STRAP LOCATION

HOLD DOWN  
STRAP LOCATION



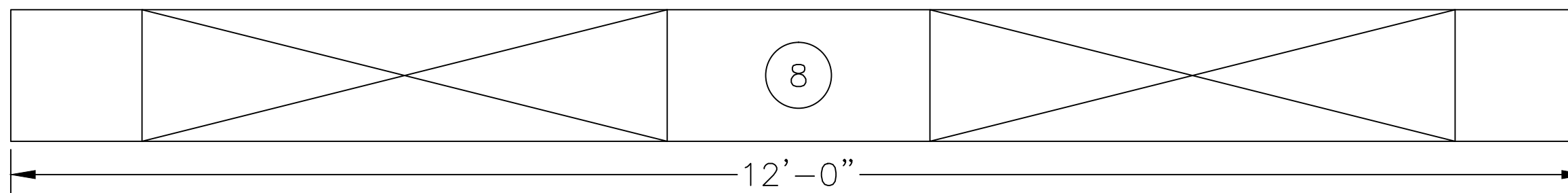
### ASSEMBLY LIST

- ① 6"φ INLET, FLANGED
- ② 6"φ OUTLET, FLANGED
- ③ 1'-10"φ MANWAY W/ (4) FPT FITTINGS
- ④ COALESCING MEDIA
- ⑤ SLUDGE BAFFLE
- ⑥ 4"φ FPT MONITOR FITTING OR OPTIONAL HYDROSTATIC RESERVOIR (DW ONLY)
- ⑦ LIFTING LUG
- ⑧ OPTIONAL PREFABRICATED DEADMAN



### WEIGHTS & CAPACITIES

4'φ - 1,000 GAL. TANK SW OR DW  
 NOMINAL WGT. SW 1,400#  
 NOMINAL WGT. DW 1,700#  
 MAX. SPILL CAPACITY 600 GAL.



SCALE: N.T.S.  
 DATE: 1/10/14

THIS DRAWING AND SPECIFICATION IS THE PROPERTY OF OWS TECHNOLOGIES 1109 25TH STREET WEST PALM BEACH, FL 33407. NO PART OF THIS DRAWING OR SPECIFICATION SHALL BE REPRODUCED OR TRANSMITTED IN ANY FORM OR BY ANY MEANS, ELECTRONIC OR MECHANICAL, WITHOUT WRITTEN PERMISSION.

DRAWN BY: TMB  
 CHECKED BY:

**OIL WATER SEPARATOR**  
**TECHNOLOGIES, LLC**

1109 25TH STREET W.P.B., FL. 33407



MODEL: HB-F-4-1K-2 68 G.P.M.  
 JOB: OWS TECHNOLOGIES

OWS JOB No. -  
 DRAWING No. 3S5069  
 FILE: 4-1K-68-SWDW 1/10/14