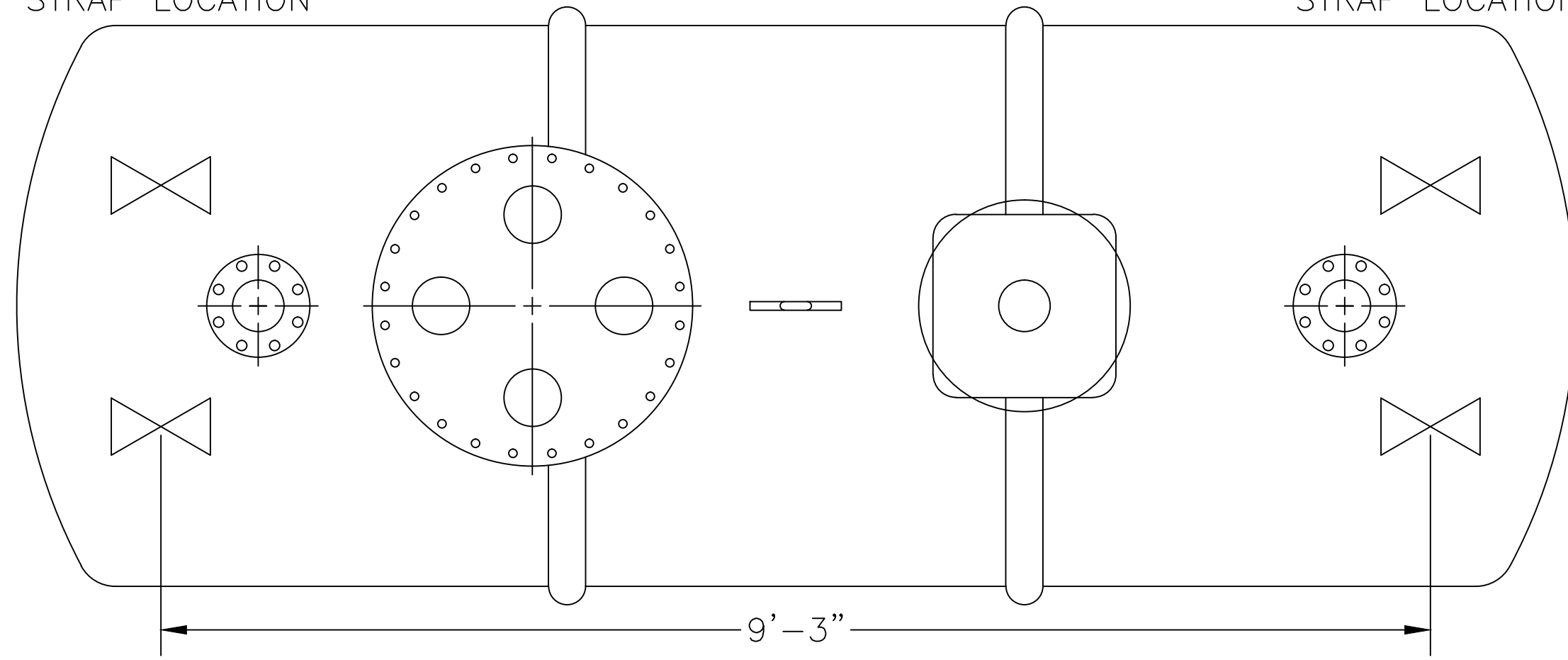


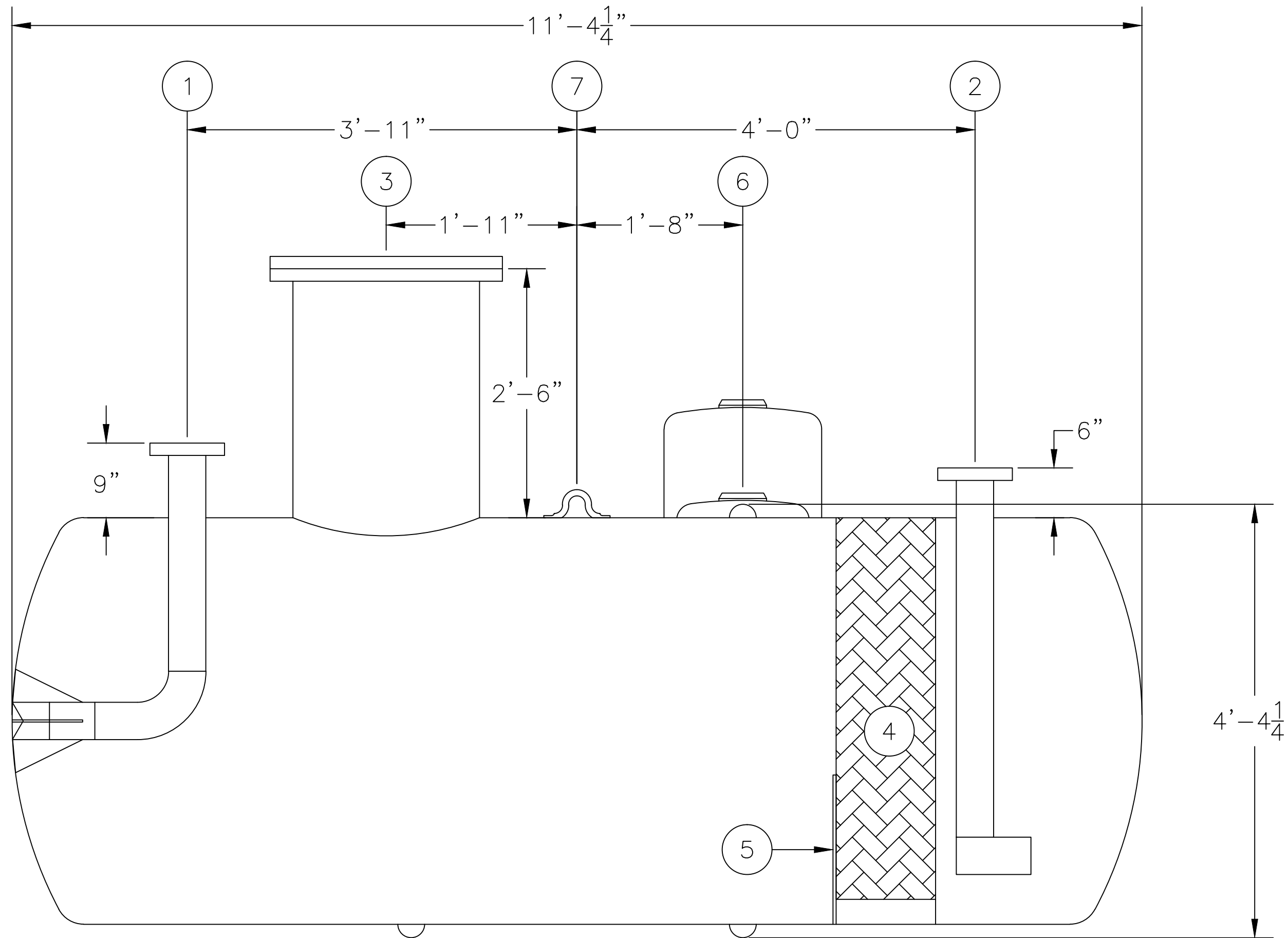
HOLD DOWN
STRAP LOCATION

HOLD DOWN
STRAP LOCATION



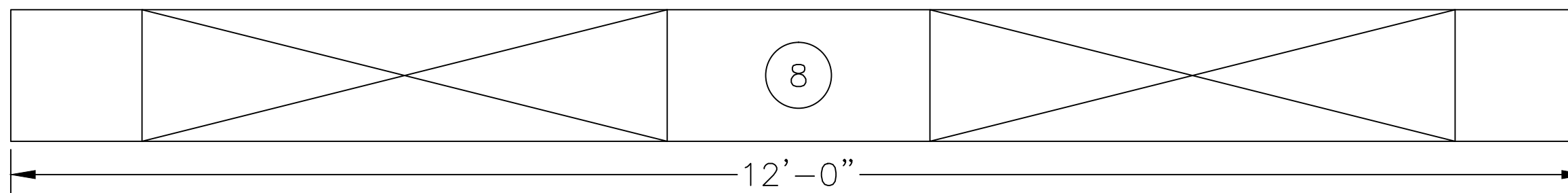
ASSEMBLY LIST

- ① 4"Ø INLET, FLANGED
- ② 4"Ø OUTLET, FLANGED
- ③ 1'-10"Ø MANWAY W/ (4) FPT FITTINGS
- ④ COALESCING MEDIA
- ⑤ SLUDGE BAFFLE
- ⑥ 4"Ø FPT MONITOR FITTING OR OPTIONAL HYDROSTATIC RESERVOIR (DW ONLY)
- ⑦ LIFTING LUG
- ⑧ OPTIONAL PREFABRICATED DEADMAN



WEIGHTS & CAPACITIES

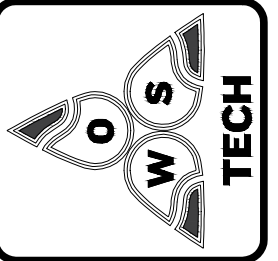
4'Ø - 1,000 GAL. TANK SW OR DW
 NOMINAL WGT. SW 1,400#
 NOMINAL WGT. DW 1,700#
 MAX. SPILL CAPACITY 600 GAL.



THIS DRAWING AND SPECIFICATION IS THE PROPERTY OF OWS TECHNOLOGIES 1109 25TH STREET WEST PALM BEACH, FL 33407. NO PART OF THIS DRAWING SHALL BE REPRODUCED WITHOUT WRITTEN PERMISSION.

SCALE: N.T.S. DATE: 12/18/14

OIL WATER SEPARATOR TECHNOLOGIES, LLC
 1109 25TH STREET W.P.B., FL. 33407



OWS JOB No. -
 DRAWING No. 3S5108
 FILE: 4-1K-34-SWDW 12/18/14

MODEL: HB-F-4-1K-1 34 G.P.M.
 JOB: OWS TECHNOLOGIES

DRAWN BY: TMB
 CHECKED BY: