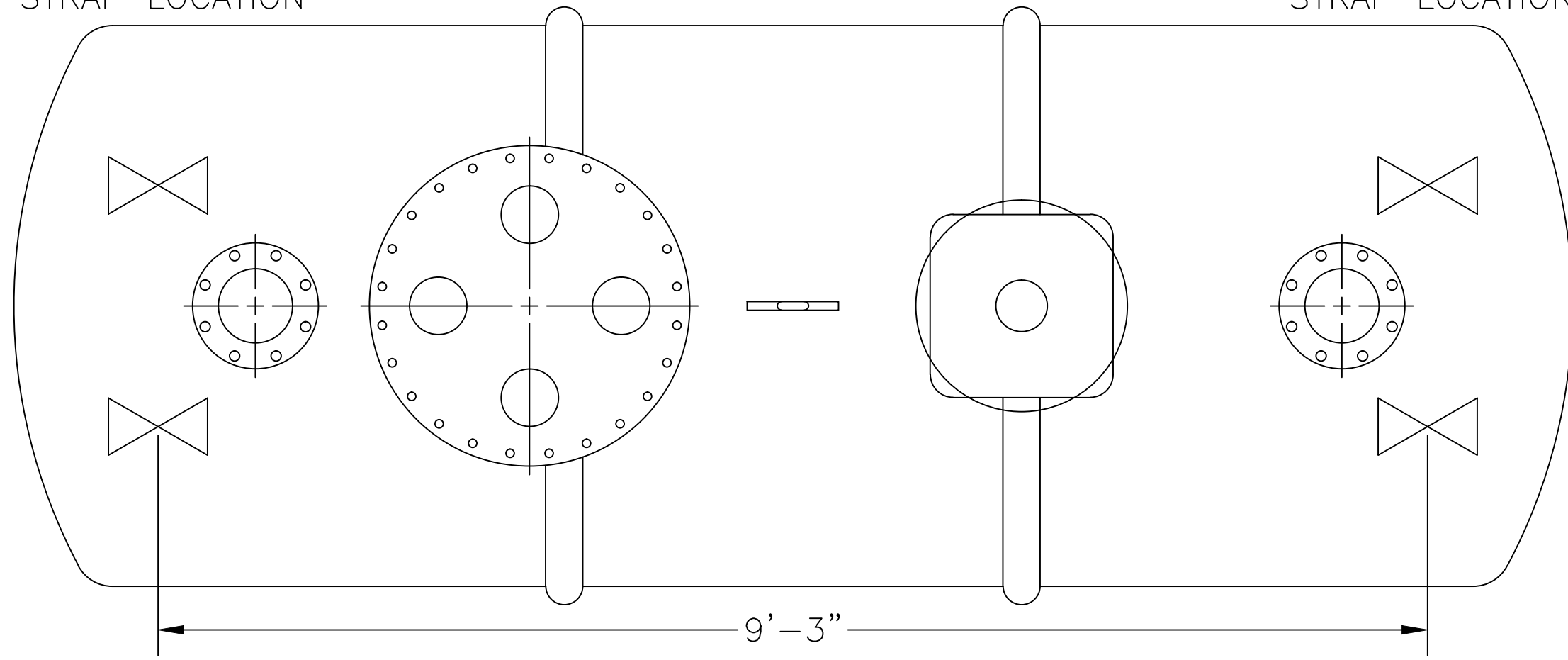


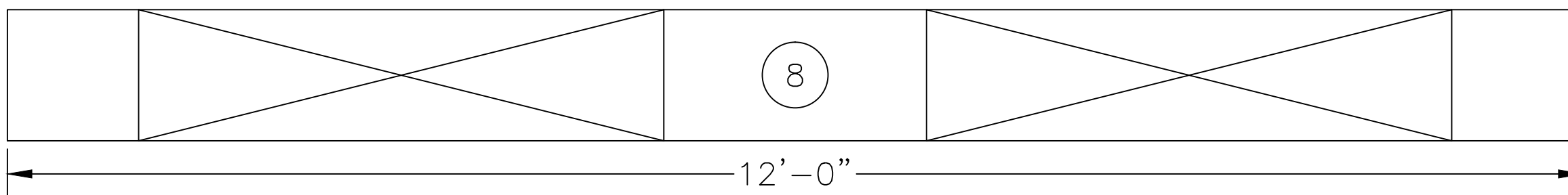
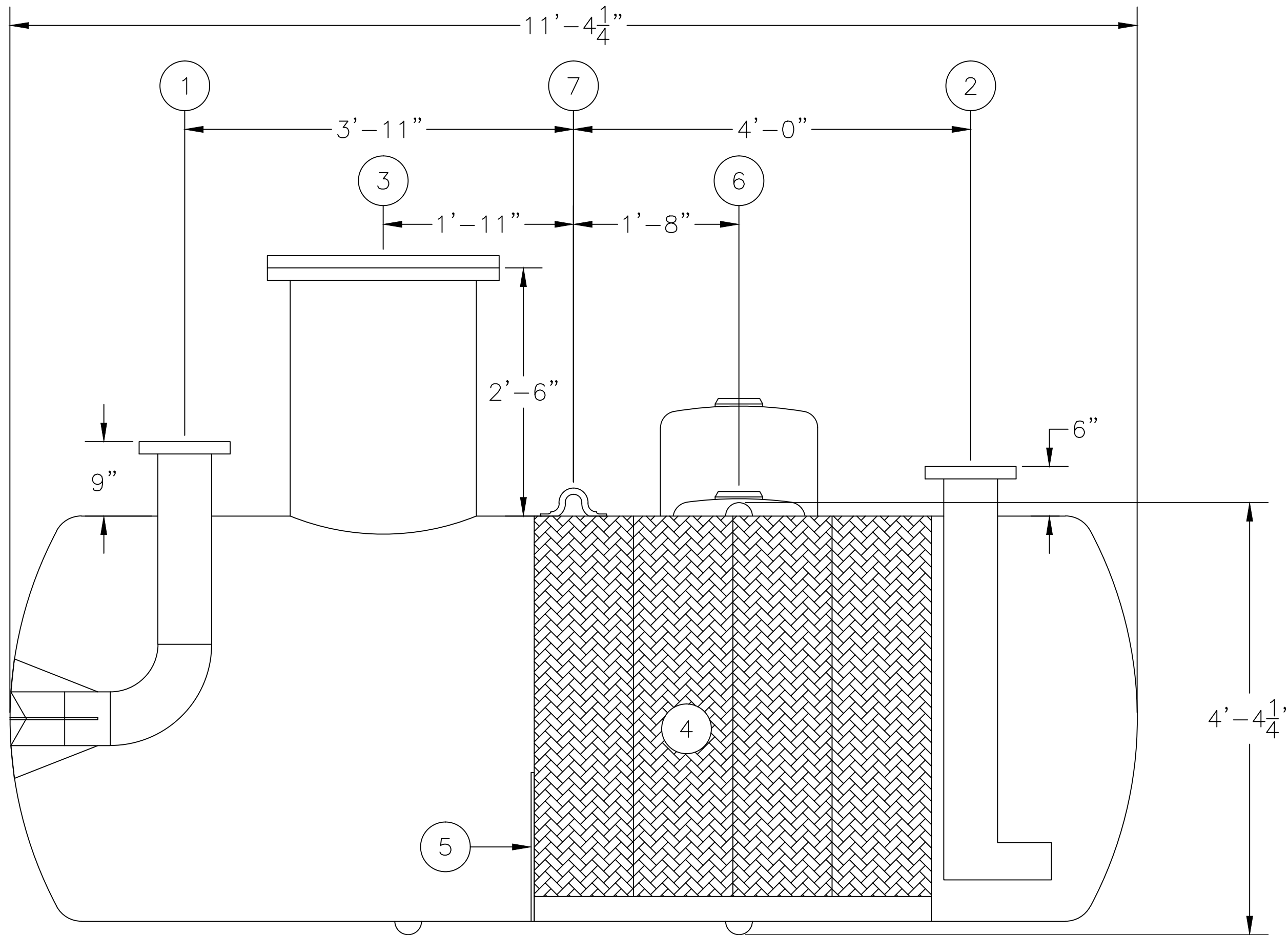
HOLD DOWN
STRAP LOCATION

HOLD DOWN
STRAP LOCATION



ASSEMBLY LIST

- ① 6"φ INLET, FLANGED
- ② 6"φ OUTLET, FLANGED
- ③ 1'-10"φ MANWAY W/ (4) FPT FITTINGS
- ④ COALESCING MEDIA
- ⑤ SLUDGE BAFFLE
- ⑥ 4"φ FPT MONITOR FITTING OR OPTIONAL HYDROSTATIC RESERVOIR (DW ONLY)
- ⑦ LIFTING LUG
- ⑧ OPTIONAL PREFABRICATED DEADMAN



WEIGHTS & CAPACITIES

4'φ - 1,000 GAL. TANK SW OR DW
 NOMINAL WGT. SW 1,400#
 NOMINAL WGT. DW 1,700#
 MAX. SPILL CAPACITY 600 GAL.



**OIL WATER SEPARATOR
 TECHNOLOGIES, LLC**
 1109 25TH STREET W.P.B., FL. 33407

SCALE: N.T.S.	DATE: 7/10/13
THIS DRAWING AND SPECIFICATION IS THE PROPERTY OF OWS TECHNOLOGIES, 1109 25TH STREET WEST PALM BEACH, FL. 33407. NO PARTS OF THIS DRAWING OR SPECIFICATION SHALL BE REPRODUCED WITHOUT WRITTEN PERMISSION.	
DRAWN BY: TMB	CHECKED BY:

MODEL: HB-F-4-1K-4 136 G.P.M.	OWS JOB No. -
JOB: OWS TECHNOLOGIES	DRAWING No. 3S5033
	FILE: 4-1K-136-SWDW 7/10/13