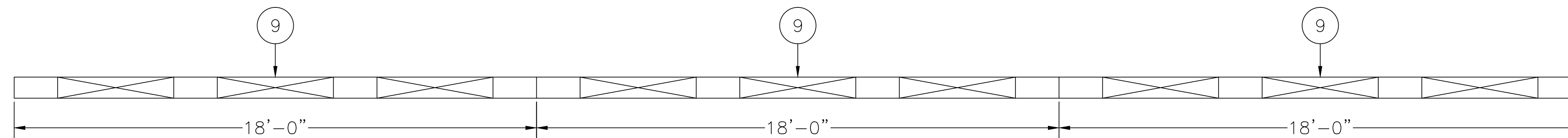
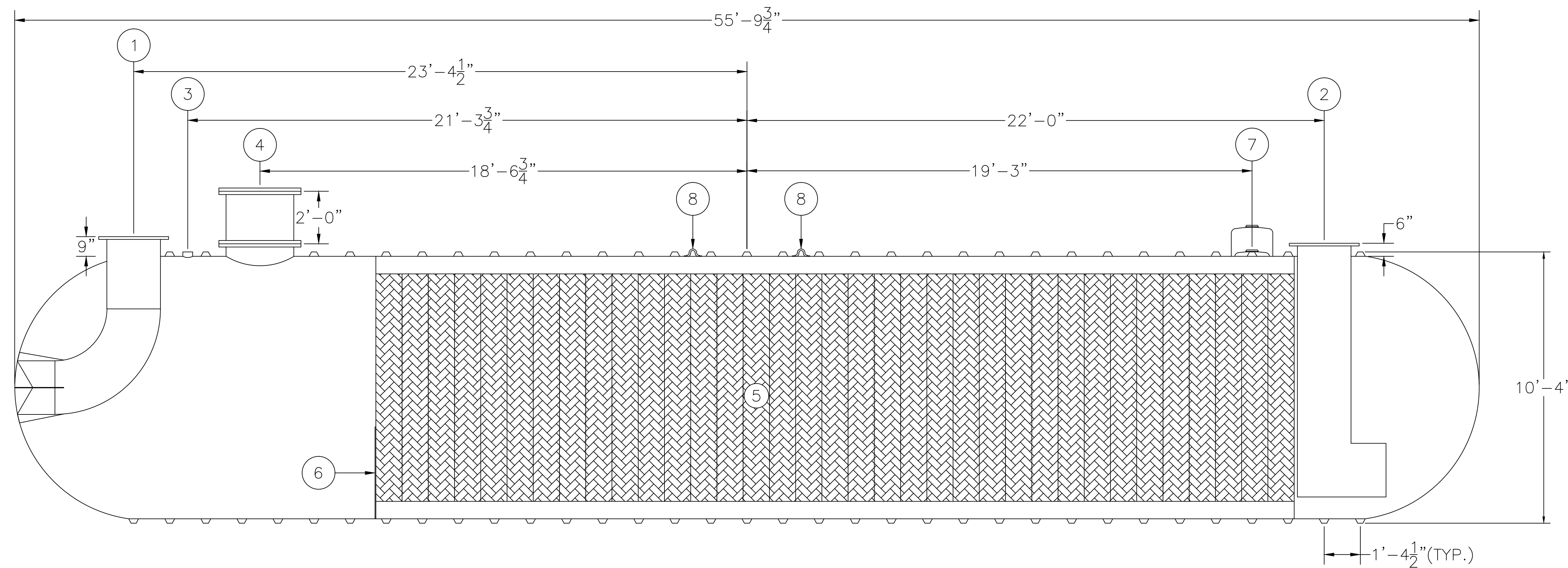
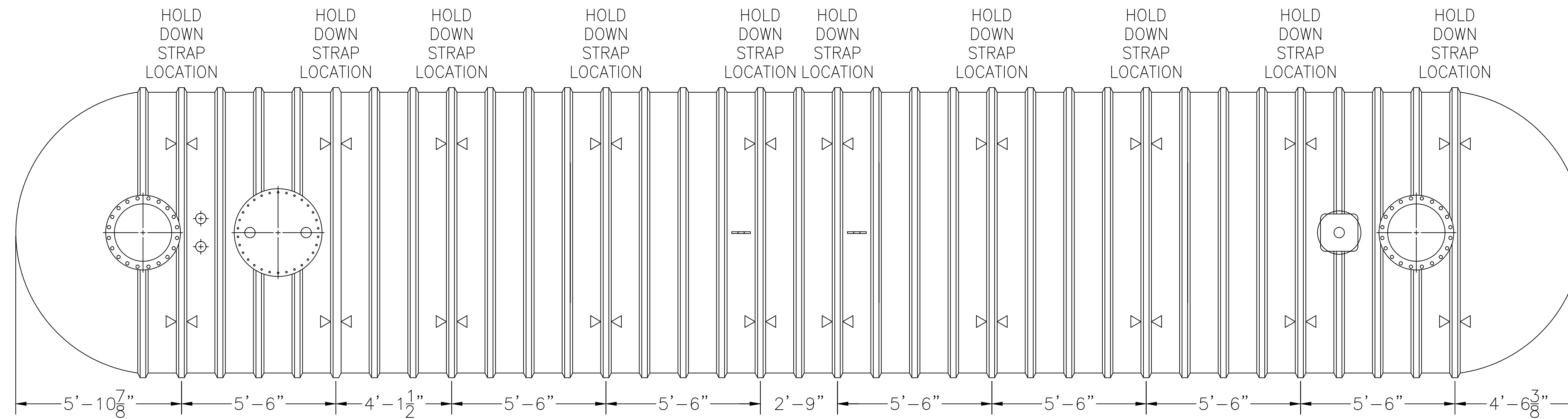


ASSEMBLY LIST

- ① 24"Ø INLET, FLANGED
- ② 24"Ø OUTLET, FLANGED
- ③ 4"Ø FPT DUPLEX SERVICE FITTING
- ④ 2'-6"Ø MANWAY W/ (2) FPT FITTINGS
- ⑤ COALESCING MEDIA
- ⑥ SLUDGE BAFFLE
- ⑦ 4"Ø FPT MONITOR FITTING OR OPTIONAL HYDROSTATIC RESERVOIR (DW ONLY)
- ⑧ LIFTING LUGS
- ⑨ OPTIONAL PREFABRICATED DEADMAN



WEIGHTS & CAPACITIES

10'Ø - 30,000 GAL. TANK SW OR DW
 NOMINAL WGT. SW 18,700#
 NOMINAL WGT. DW 21,900#
 MAX. SPILL CAPACITY 18,000 GAL.

OIL WATER SEPARATOR TECHNOLOGIES LLC <small>1109 25TH STREET W.P.B., FL. 33407</small>	<small>SCALE: N.T.S.</small>	<small>DATE: 12/31/14</small>	<small>DRAWN BY: TMB</small> <small>CHECKED BY:</small>
	<small>THIS DRAWING AND SPECIFICATION IS THE PROPERTY OF OWS TECHNOLOGIES 1109 25TH STREET WEST PALM BEACH, FL. 33407 AND SHALL NOT BE REPRODUCED WITHOUT WRITTEN PERMISSION.</small>		
<small>MODEL: HB-F-10-30K-35 3990 G.P.M.</small>	<small>JOB: OWS TECHNOLOGIES</small>	<small>OWS JOB No. -</small>	<small>DRAWING No. 4S5158</small> <small>FILE: 10-30K-3990-SWDW 12/31/14</small>