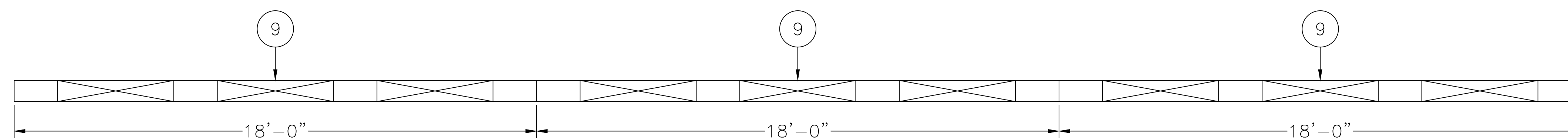
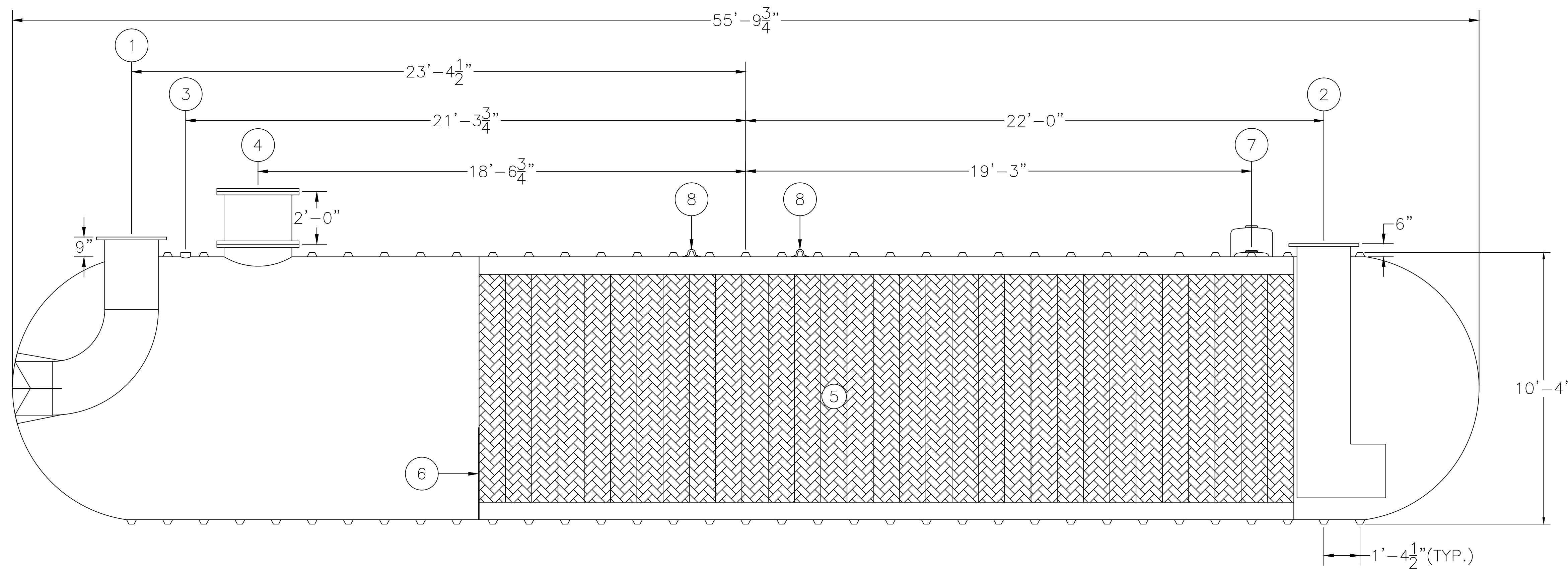
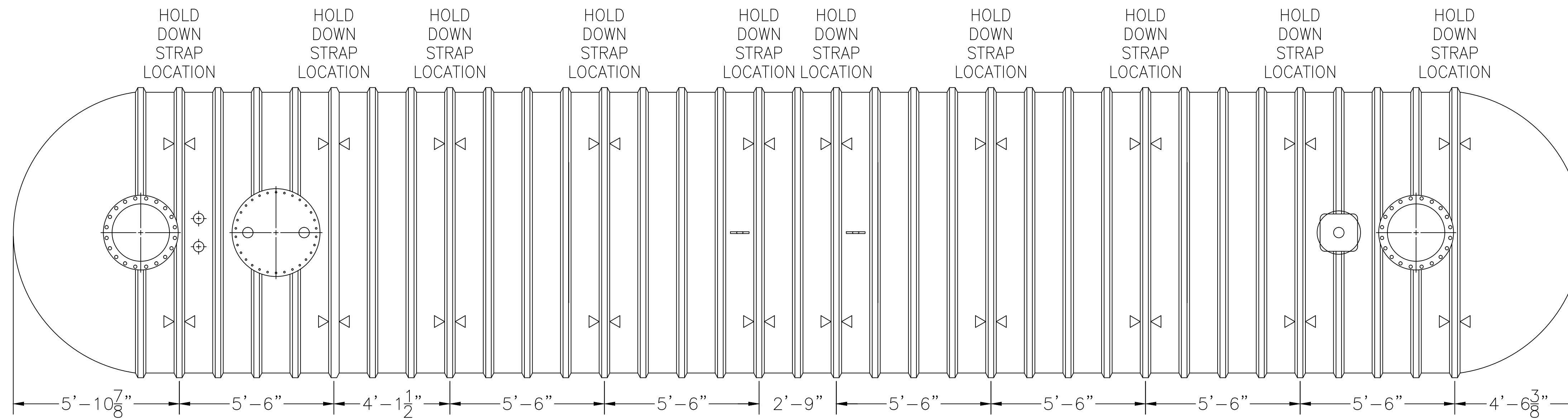


# ASSEMBLY LIST

- ① 20"Ø INLET, FLANGED
- ② 20"Ø OUTLET, FLANGED
- ③ 4"Ø FPT DUPLEX SERVICE FITTING
- ④ 2'-6"Ø MANWAY W/ (2) FPT FITTINGS
- ⑤ COALESCING MEDIA
- ⑥ SLUDGE BAFFLE
- ⑦ 4"Ø FPT MONITOR FITTING OR OPTIONAL HYDROSTATIC RESERVOIR (DW ONLY)
- ⑧ LIFTING LUGS
- ⑨ OPTIONAL PREFABRICATED DEADMAN



## WEIGHTS & CAPACITIES

10'Ø - 30,000 GAL. TANK SW OR DW  
 NOMINAL WGT. SW 18,700#  
 NOMINAL WGT. DW 21,900#  
 MAX. SPILL CAPACITY 18,000 GAL.

<b>OIL WATER SEPARATOR</b> <b>TECHNOLOGIES LLC</b> <small>1109 25TH STREET W.P.B., FL. 33407</small>	<small>SCALE:</small> N.T.S.	<small>DATE:</small> 1/5/15	<small>DRAWN BY:</small> TMB <small>CHECKED BY:</small>
	THIS DRAWING AND SPECIFICATION IS THE PROPERTY OF OWS TECHNOLOGIES 1109 25TH STREET WEST PALM BEACH, FL. 33407 AND SHALL NOT BE REPRODUCED WITHOUT WRITTEN PERMISSION.		
<small>MODEL:</small> HB-F-10-30K-31 3534 G.P.M.	<small>JOB:</small> OWS TECHNOLOGIES	<small>OWS JOB No.:</small> -	<small>DRAWING No.:</small> 4S5162 <small>FILE:</small> 10-30K-3534-SWDW 1/5/15