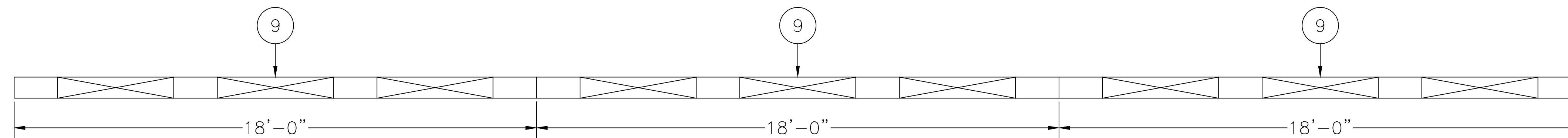
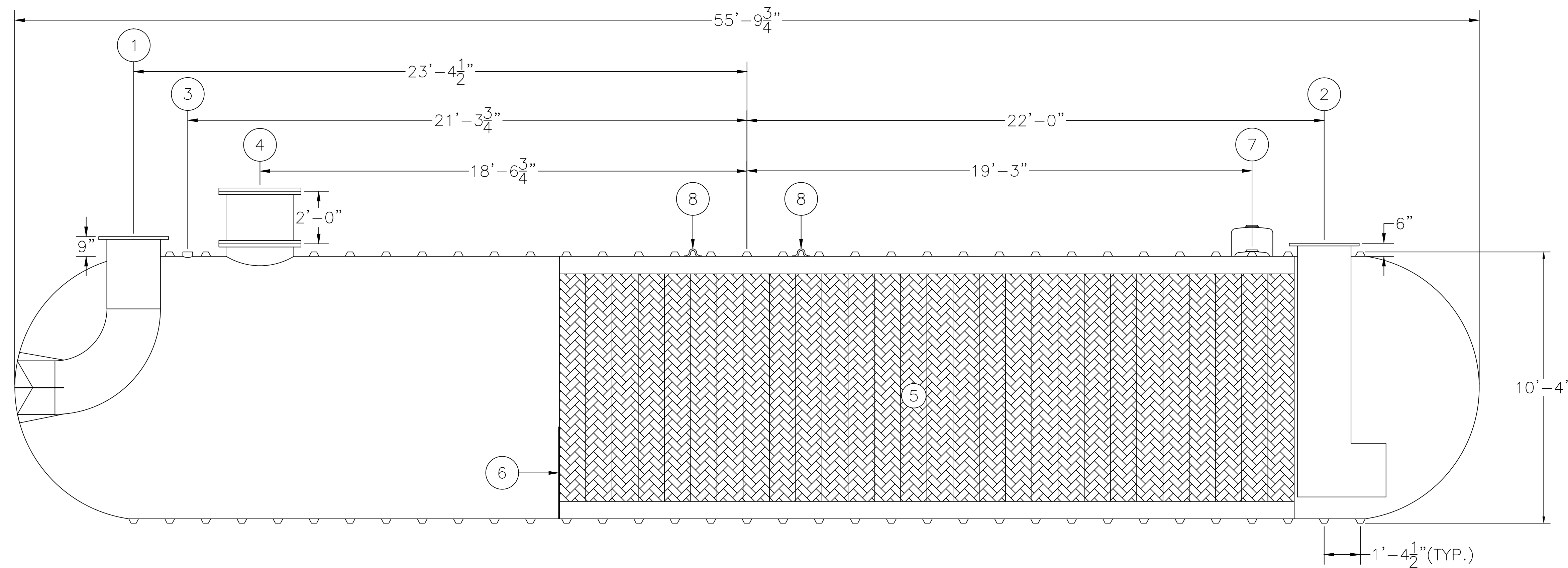
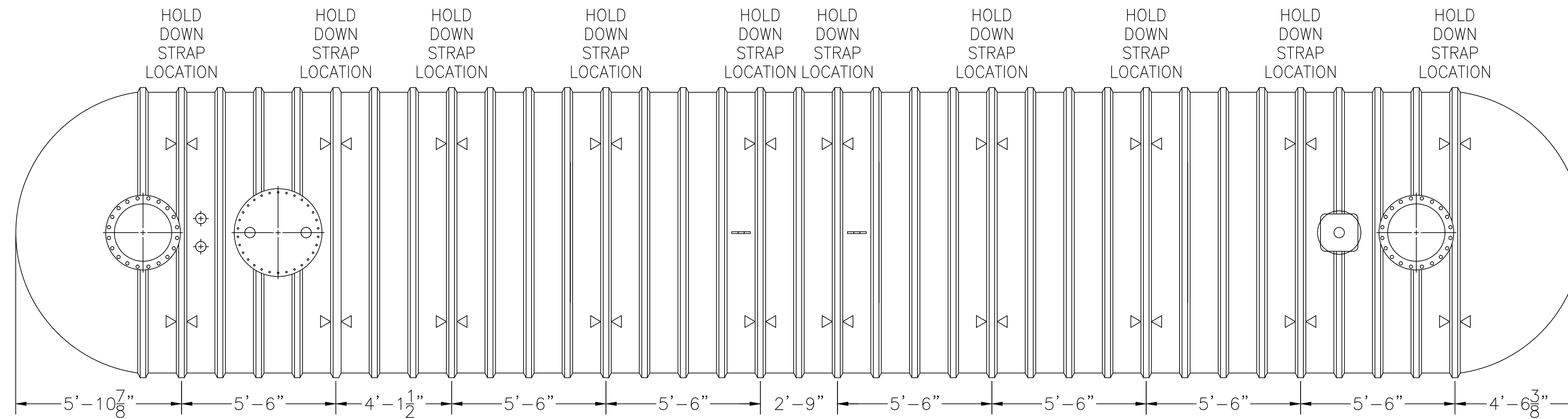


ASSEMBLY LIST

- ① 20"Ø INLET, FLANGED
- ② 20"Ø OUTLET, FLANGED
- ③ 4"Ø FPT DUPLEX SERVICE FITTING
- ④ 2'-6"Ø MANWAY W/ (2) FPT FITTINGS
- ⑤ COALESCING MEDIA
- ⑥ SLUDGE BAFFLE
- ⑦ 4"Ø FPT MONITOR FITTING OR OPTIONAL HYDROSTATIC RESERVOIR (DW ONLY)
- ⑧ LIFTING LUGS
- ⑨ OPTIONAL PREFABRICATED DEADMAN



WEIGHTS & CAPACITIES

10'Ø - 30,000 GAL. TANK SW OR DW
 NOMINAL WGT. SW 18,700#
 NOMINAL WGT. DW 21,900#
 MAX. SPILL CAPACITY 18,000 GAL.

OIL WATER SEPARATOR TECHNOLOGIES LLC 1109 25TH STREET W.P.B., FL. 33407	DRAWN BY: TMB CHECKED BY:
	SCALE: N.T.S. DATE: 1/5/15
MODEL: HB-F-10-30K-28 3192 G.P.M.	OWS JOB No. -
JOB: OWS TECHNOLOGIES	DRAWING No. 4S5165 FILE: 10-30K-3192-SWOW 1/5/15

