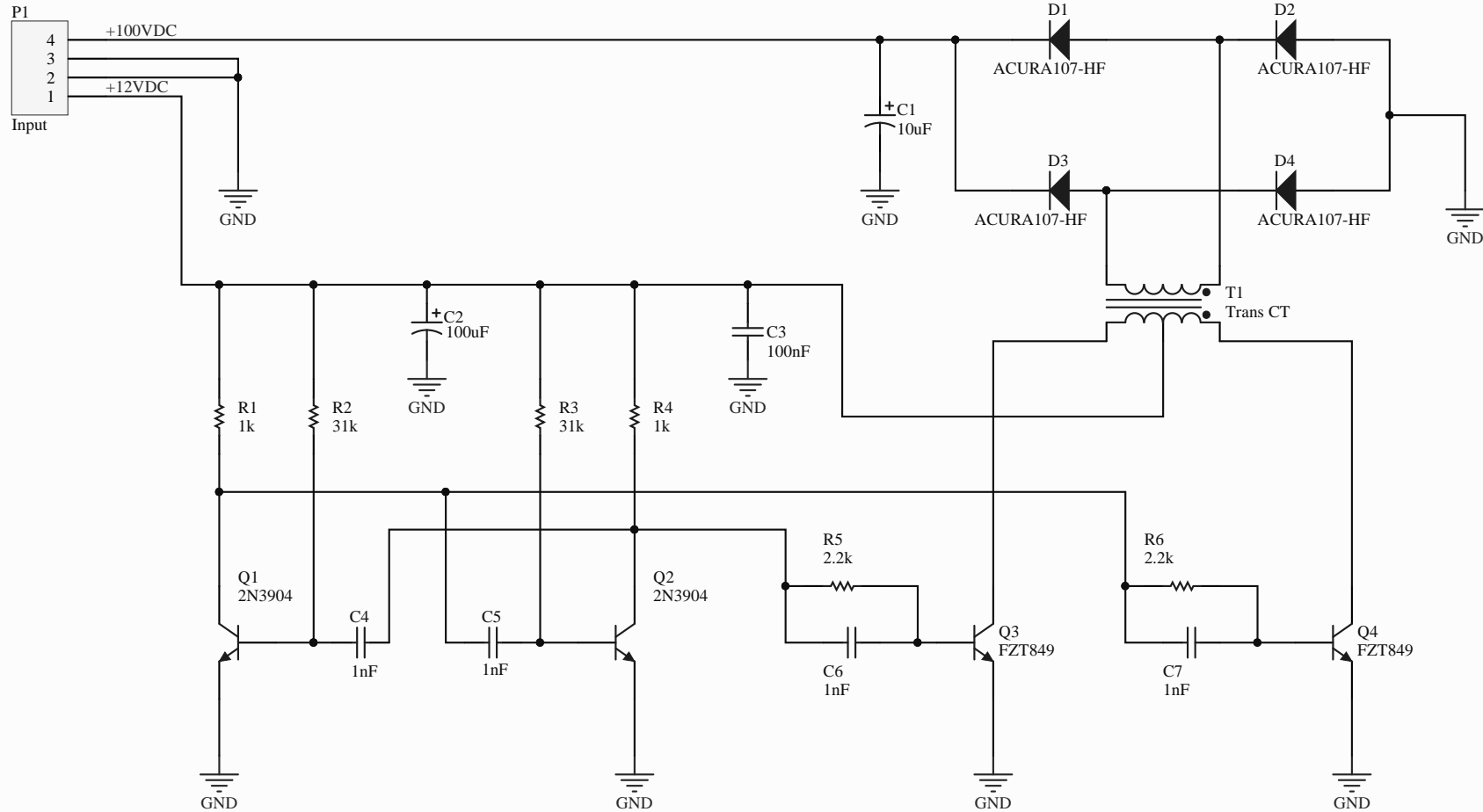
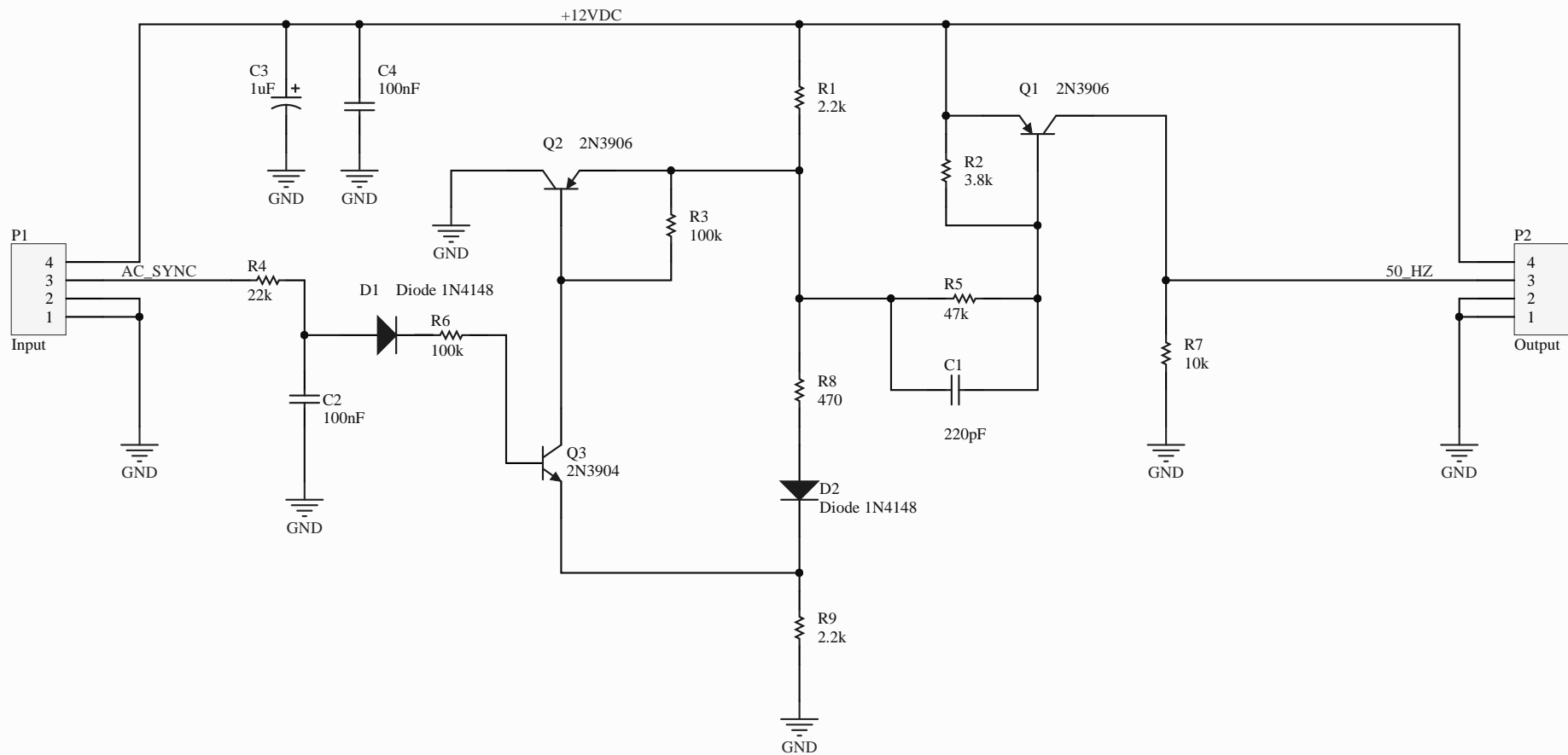


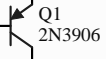
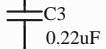
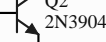
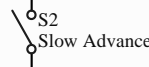
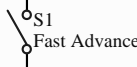
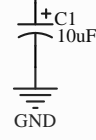
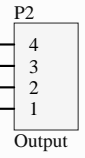
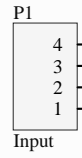
Title		
Transistor Clock - Power Supply 12V		
Size	Number	Revision
A		A
Date:	3/7/2020	Sheet of
File:	E:\Fernekes Designs\...\12V_PSU.SchDoc	Drawn By:



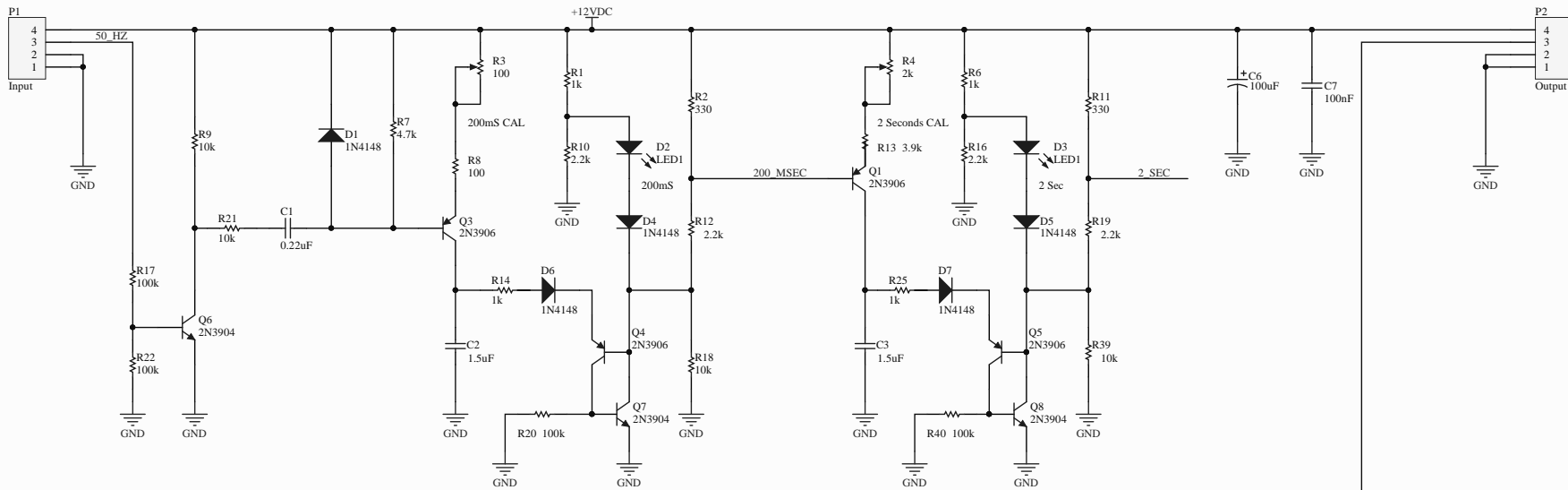
Title		
Transistor Clock - Power Supply 100V		
Size	Number	Revision
A		B
Date:	3/21/2020	Sheet of
File:	E:\Fernekes Designs\..100V_PSU.SchDoc Drawn By:	



Title Transistor Clock - Schmitt Trigger		
Size A	Number	Revision B
Date: 3/21/2020	Sheet of	
File: E:\Fernekes Designs\...\Schmitt_Trig.SchDoc	Drawn By:	

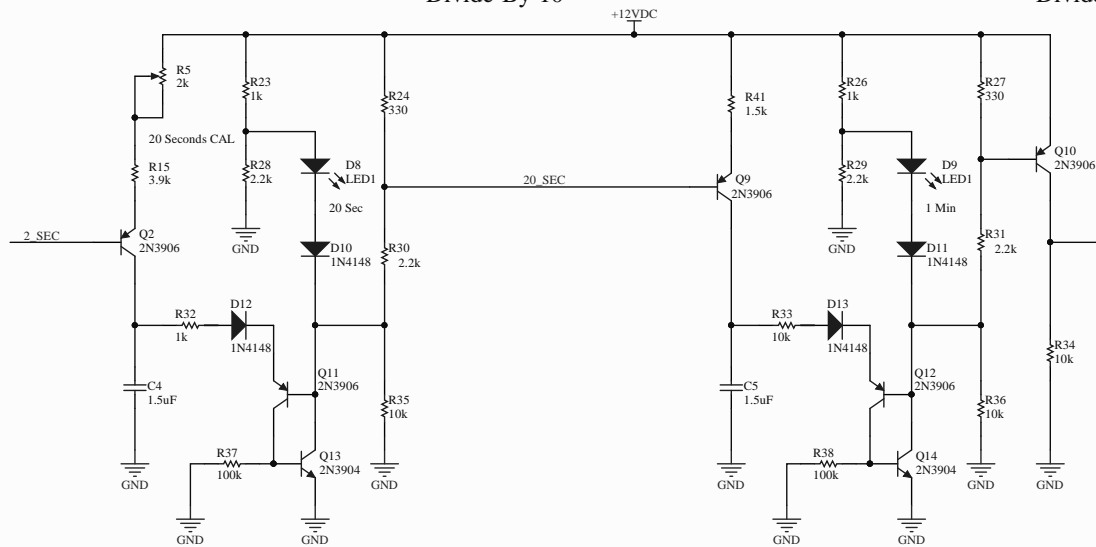


Title		
Transistor Clock - Time Setting Module		
Size	Number	Revision
A		B
Date:	3/21/2020	Sheet of
File:	E:\Fernekes Designs\...\Time_Set_Module.SchDoc	By:



Divide-By-10

Divide-By-10

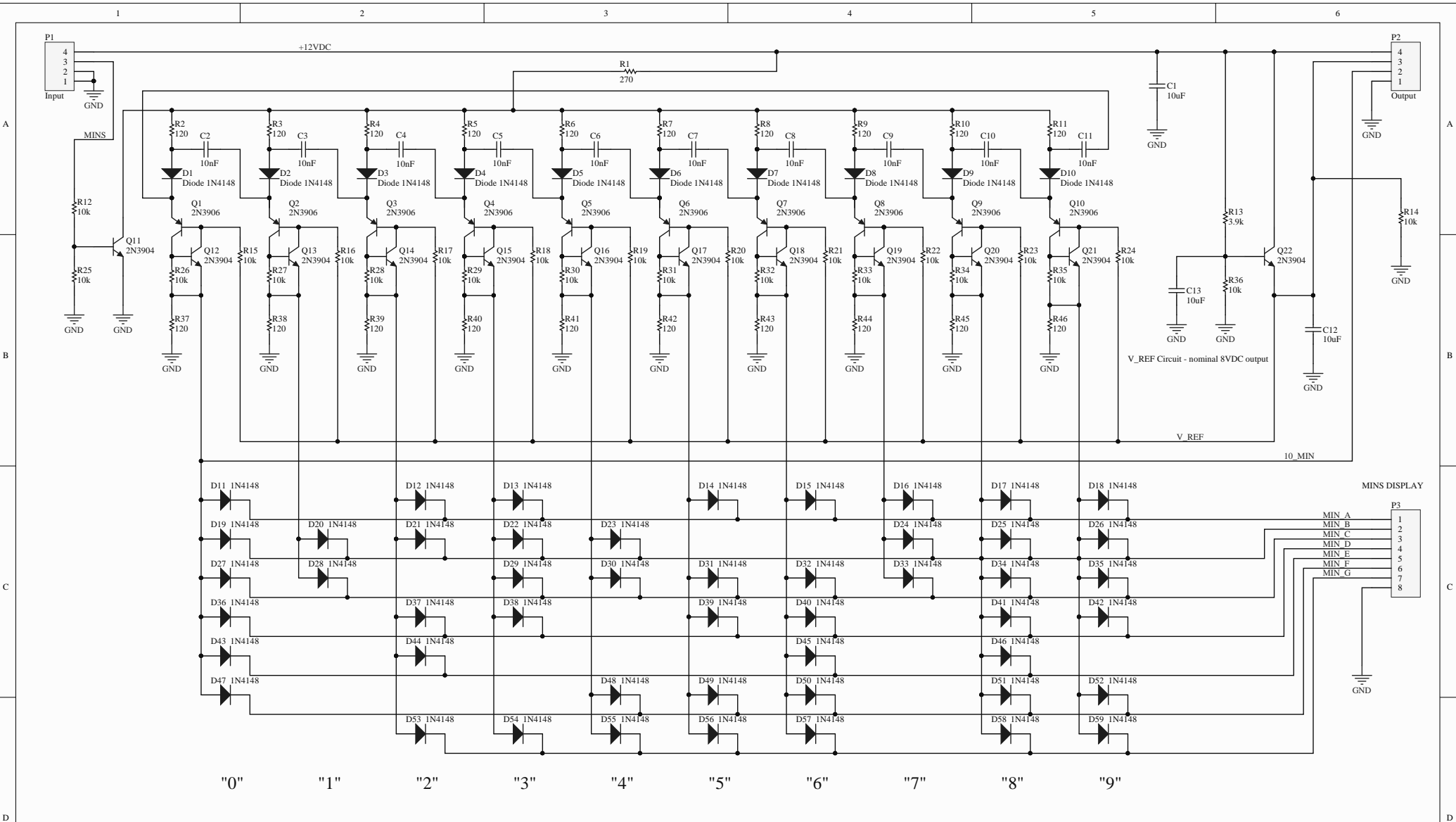


Divide-By-10

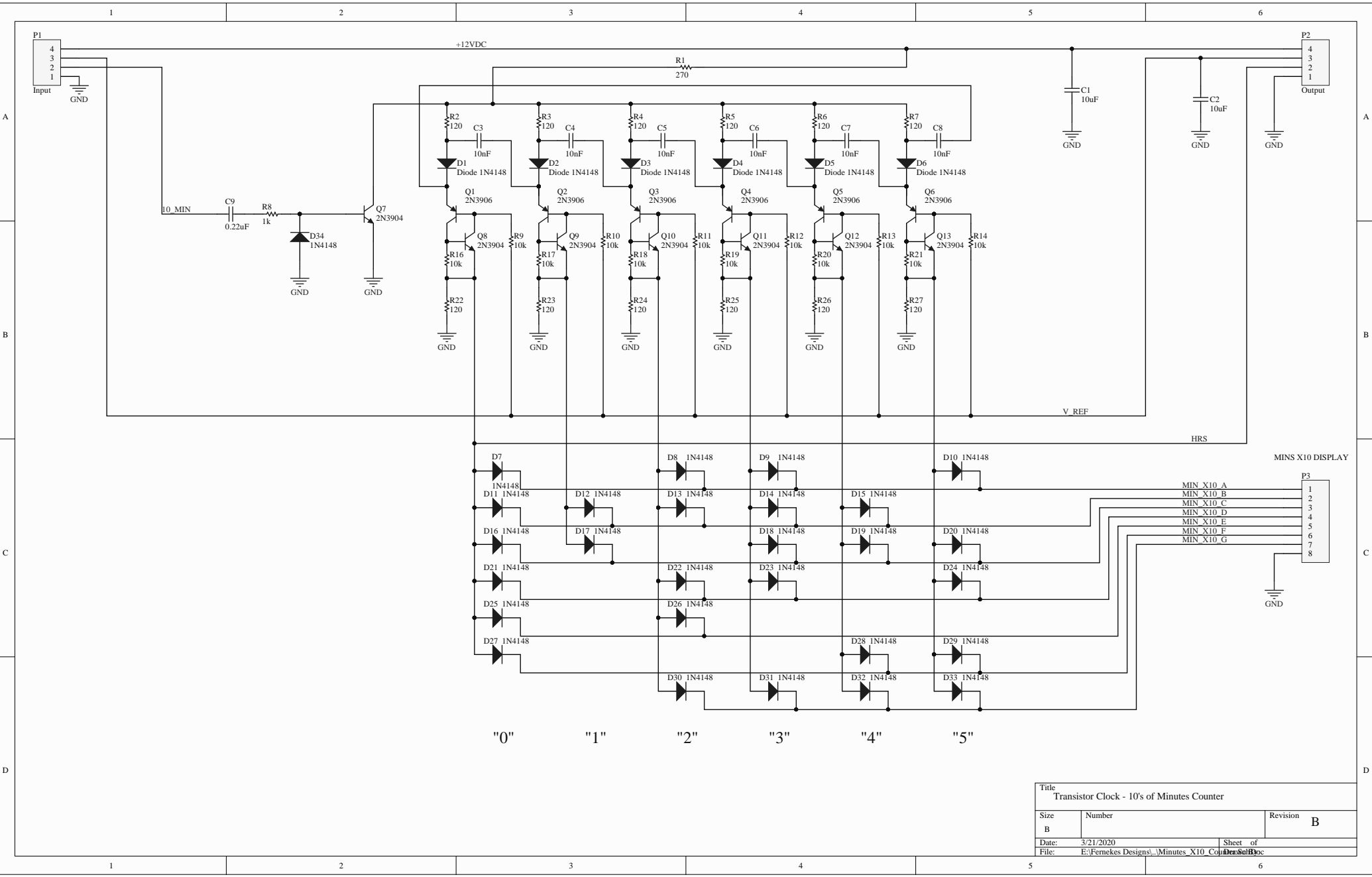
Divide-By-3

C2, C3, C4, C5 Metalized Polyester Film

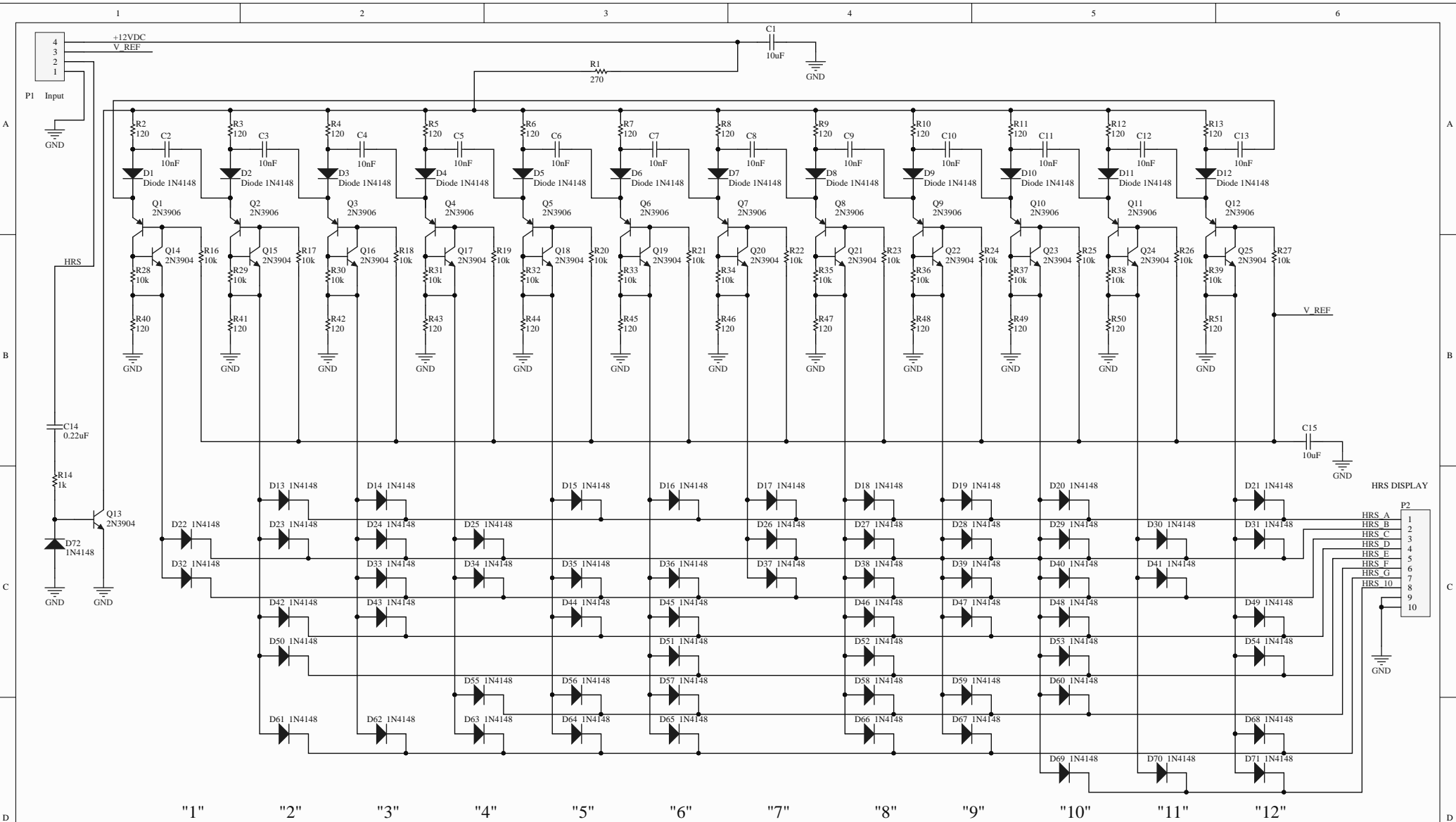
Title		
Transistor Clock - Divide by 3000 Module		
Size	Number	Revision
B		B
Date:	3/21/2020	Sheet of
File:	E:\Fenekes Designs_\Pulse_Divider.Sch	Drawn By:



Title		
Transistor Clock - Minutes Counter		
Size	Number	Revision
B		B
Date:	3/21/2020	Sheet of
File:	E:\Fenekes Designs\Minutes Counter	SDI
Drawn By:		

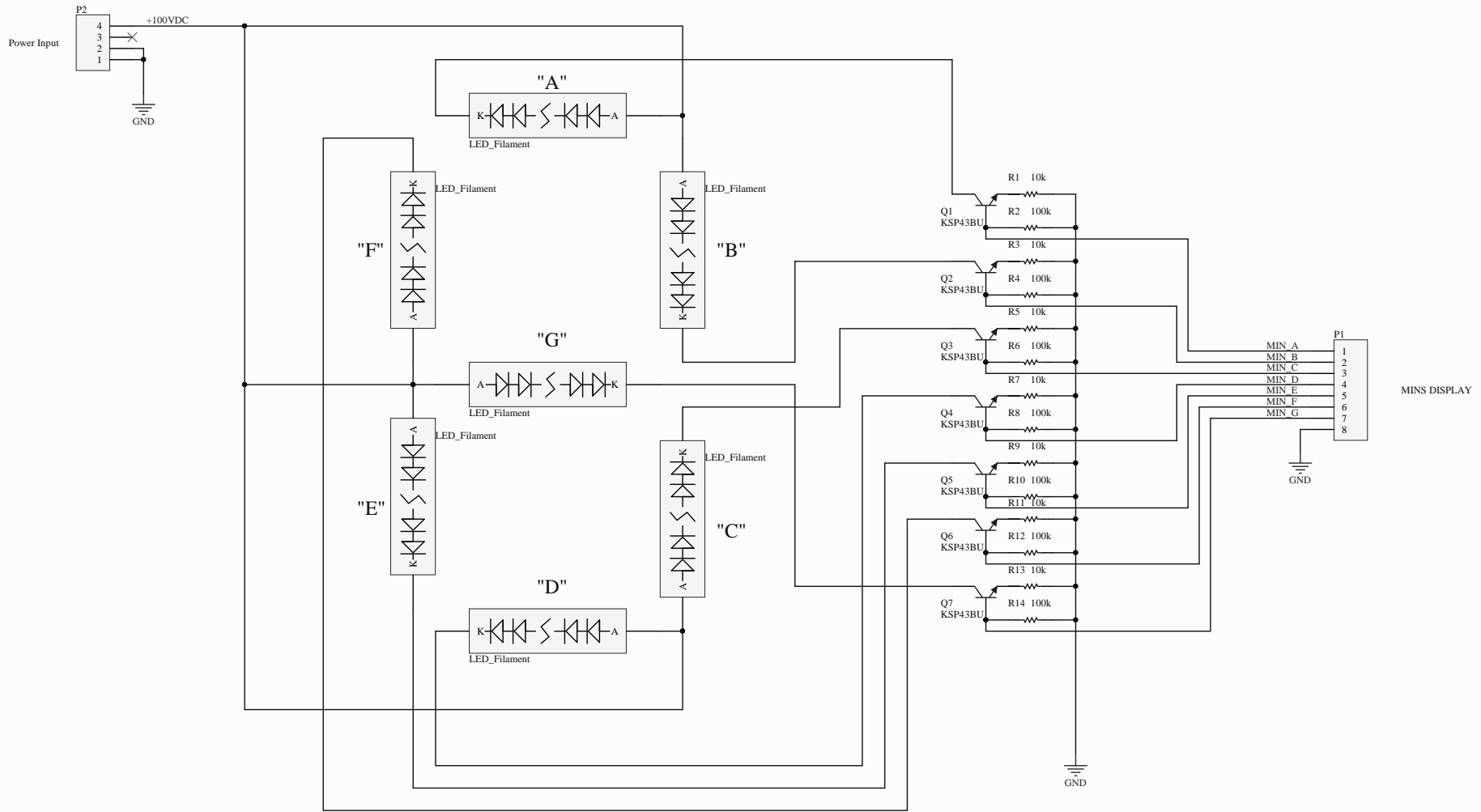


Title Transistor Clock - 10's of Minutes Counter		
Size B	Number	Revision B
Date: 3/21/2020	Sheet of	
File: E:\Ferenkes Designs\...Minutes_X10_Counter_SchDoc	of 1	



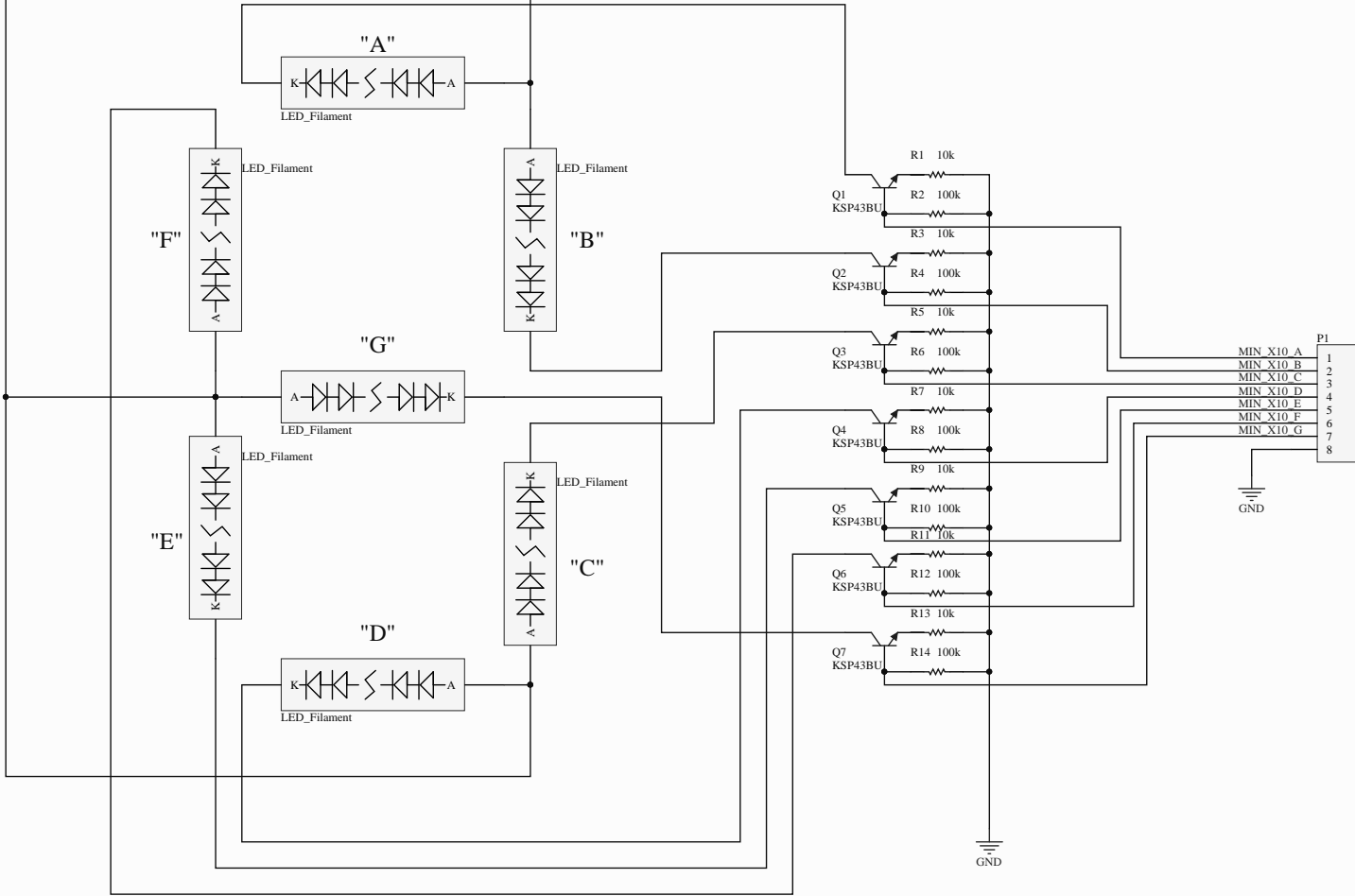
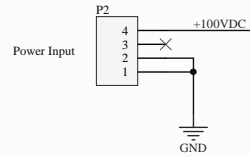
"1" "2" "3" "4" "5" "6" "7" "8" "9" "10" "11" "12"

Title			Transistor Clock - Hours Counter		
Size	Number		Revision		B
B					
Date:	3/21/2020		Sheet of		
File:	E:\Fenekes Designs\...Hours_Counter.SchDoc		Drawn By:		



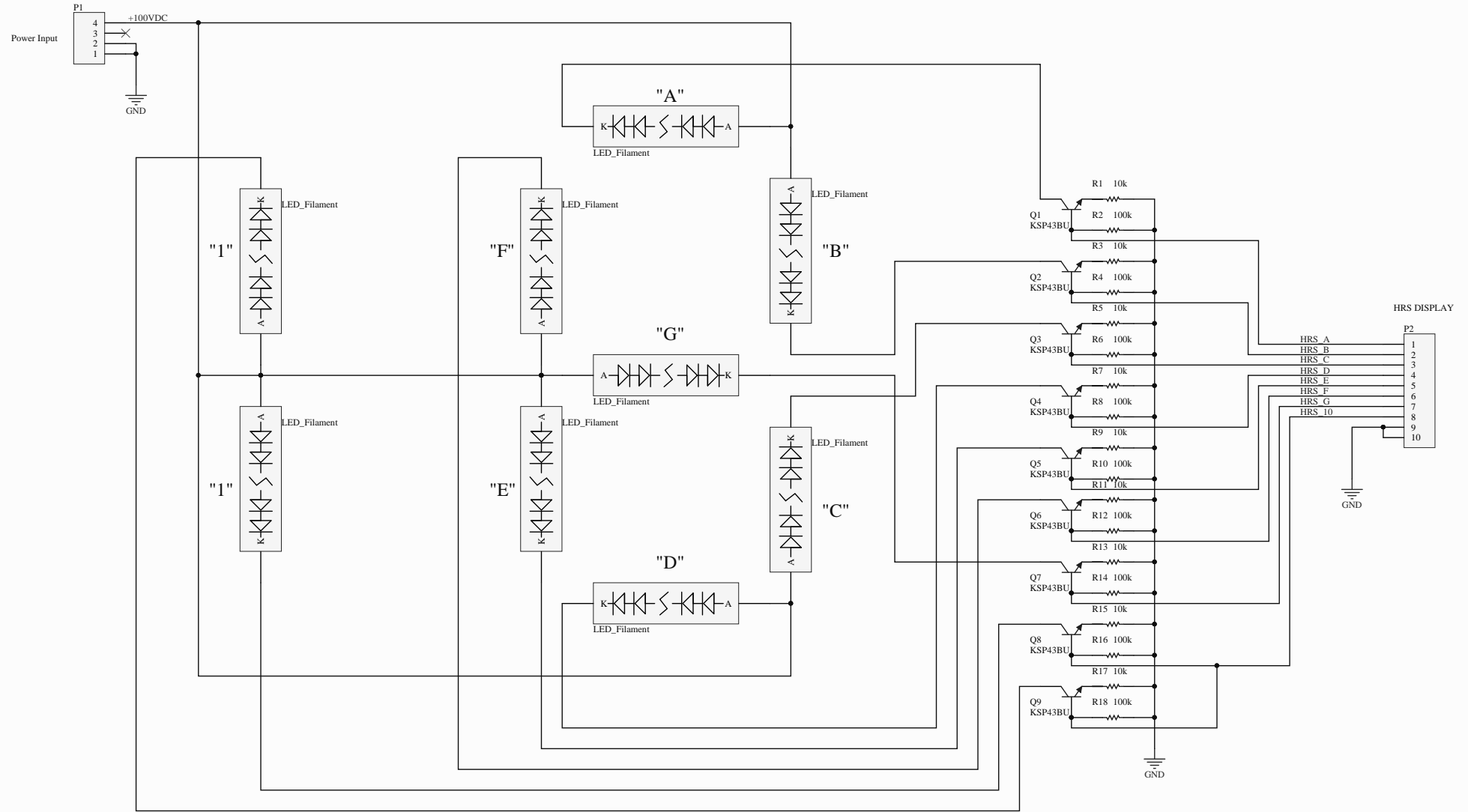
Approx 140 Microamps per segment

Title Transistor Clock - Display Driver MINUTES		
Size B	Number	Revision B
Date: 3/21/2020	Sheet of	
File: E:\Ferenkes Designs\Display Board Sch	Drawn By:	



Approx 140 Microamps per segment

Title Transistor Clock - Display Driver 10's of MINUTES		
Size B	Number	Revision B
Date: 3/21/2020	Sheet of	
File: E:\Ferenkes Designs\Display 10s MINUTES.Brd		



Approx 140 Microamps per segment

Title Transistor Clock - Display Driver HOURS		
Size B	Number	Revision B
Date: 3/21/2020	Sheet of	
File: E:\Ferenkes Designs\Display_HOURS.kicad	Drawn By:	