

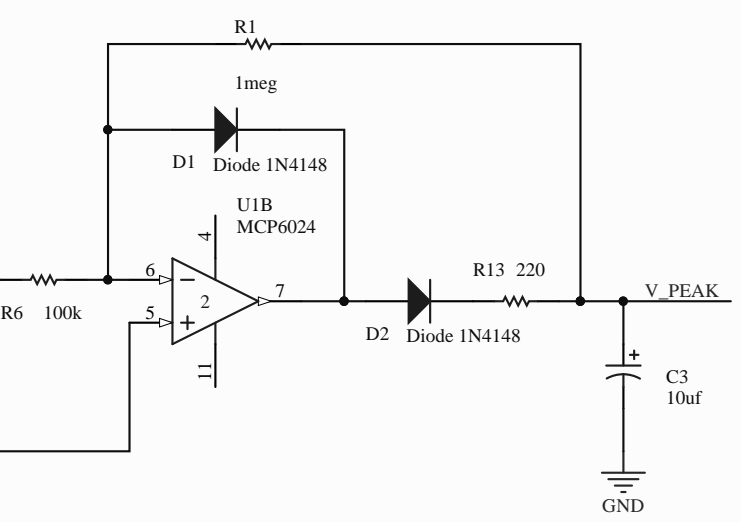
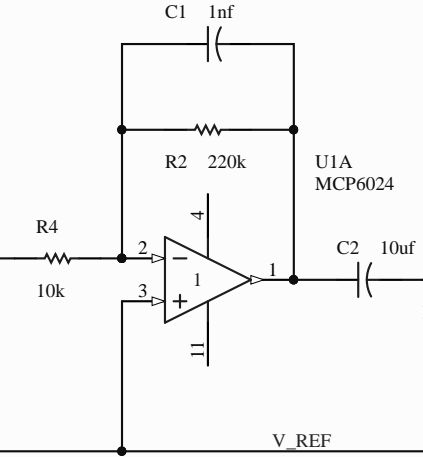
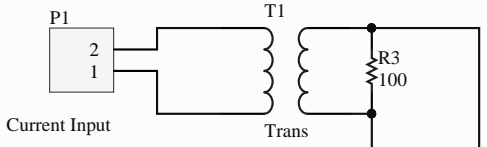
Current Transformer

Preamp X 22 Gain

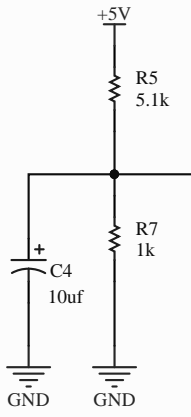
Precision Rectifier with X 10 Gain and Peak Detector

A

A



Virtual Ground- 800mV



B

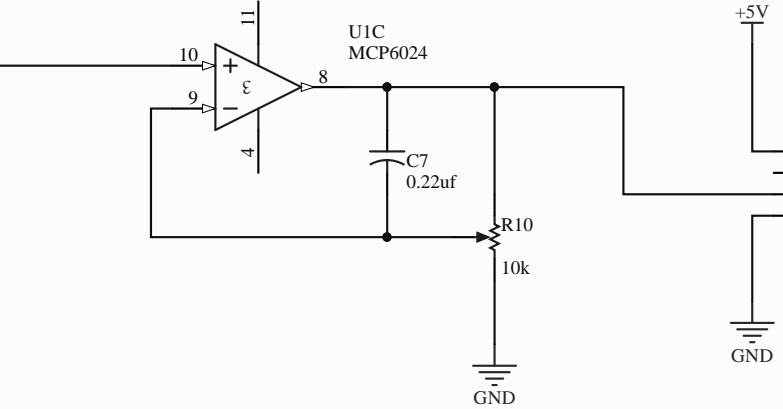
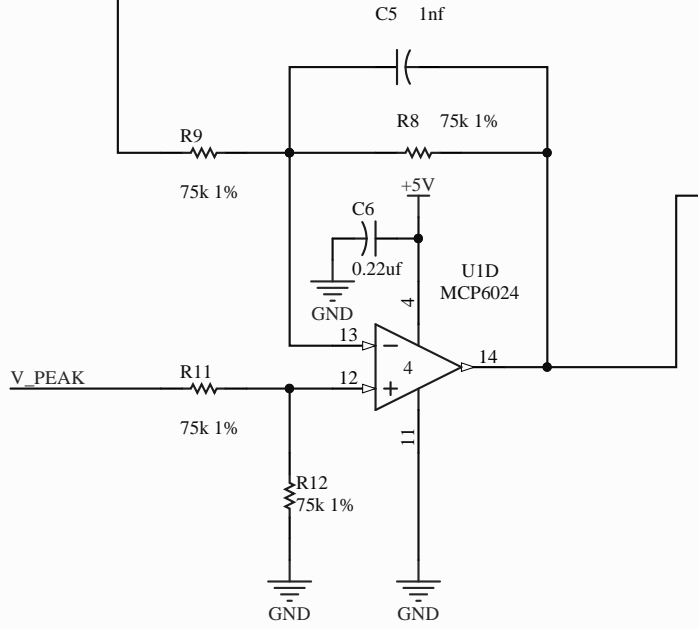
B

Differential Amplifier

DC Gain Amplifier

C

C



D

D

Title		
Current Sensor Signal Processor		
Size	Number	Revision
A		1
Date:	3/12/2020	Sheet of
File:	E:\Fernekes Designs\..Current_Sensor_SchDrawn By:	