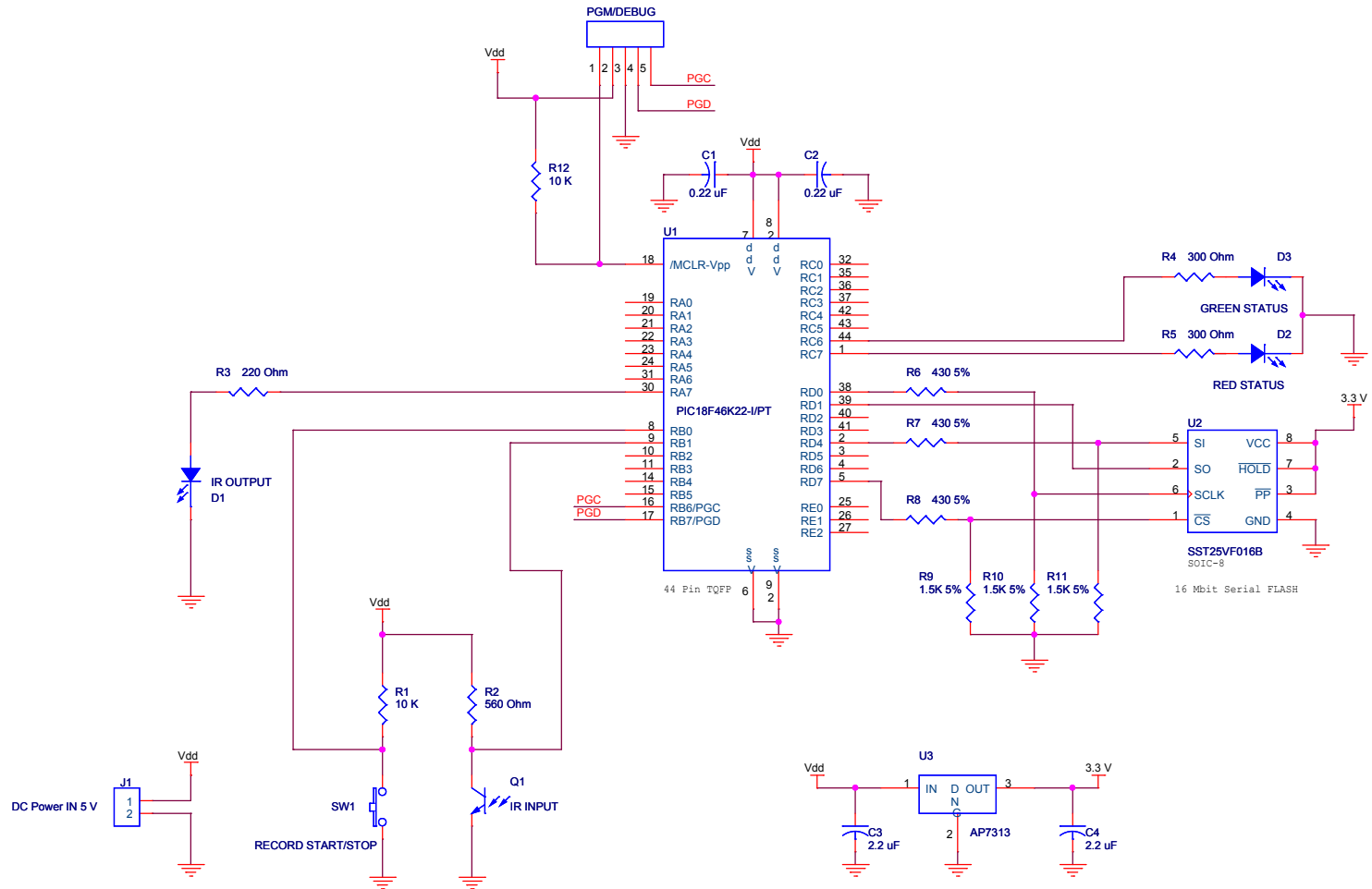


Not a physical part- pads and holes in the PCB



Title		
IR Rememberizer		
Size	Document Number	Rev
B	<Doc>	1
Date:	Tuesday, August 05, 2014	Sheet 1 of 1