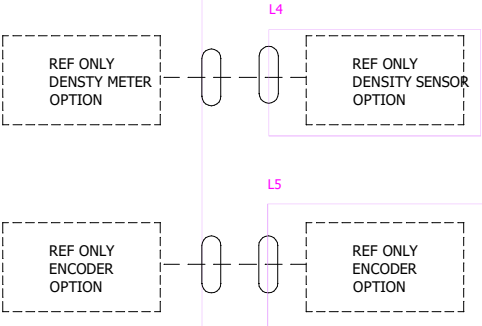
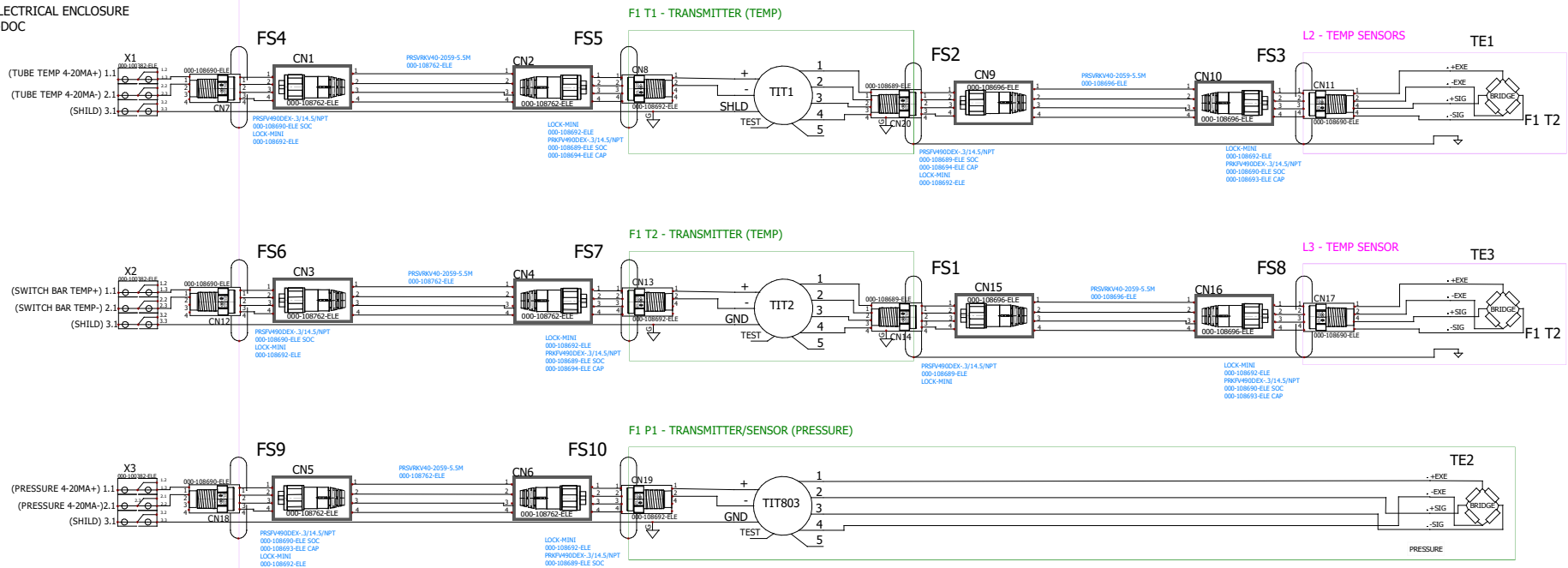


L1 - ENCLOSURE PIM

REF MAIN ELECTRICAL ENCLOSURE
000-111413-DOC



- REFERENCE DESIGNATORS:
- FS-FITTING SET (ENCLOSURE ENTRY)
 - K-RELAYS(ALL-OPTO)
 - PS-POWER SUPPLIES
 - P-CONNECTOR PLUG (SOC)
 - J-CONNECTOR JACK (PIN)
 - F-FUSE
 - CB-CIRCUIT BREAKER
 - M-MOTOR/CLUTCH
 - L-ENCLOSURE
 - R-RESISTOR
 - D-DIODE
 - S-SWITCH
 - X-TERMINAL BLOCKS

- NOTES:
- 1) FOR ALL BOTTOM ACCESS ONLY DESIGN: DIN RAIL TO BE MOUNTED VERTICALLY
 - 2) ALL TERMINAL CONNECTION TO HAVE CRIMP FERRULES.
 - 3) WIRE LABELS: ALL WIRE ENDS WILL BE LABELLED TO INCLUDE A) TARGET.PIN AND B) WIRE NUMBER (X1.22 W23)
 - 4) CABLE GLANDS (FSx): EXPOSED METAL TO BE COVERED IN RUBBER GROMMET
 - 5) WIRE WRAPS SHALL BE STAINLESS (NO NYLON OR OTHER PLASTICS ALLOWED)
 - 6) L500, L800 AND CORRESPONDING FSx FITTING SETS EXISTS IN MULTI-ENCLOSURE DESIGNS ONLY. FOR SINGLE ENCLOSURE DESIGNS, THIS FITTING (FSx) IS OMITTED AND ALL WIRING SHOWN IS CONTAINED IN ENCLOSURE L1
 - 7) CLASS/DIVISION RATING DETERMINED BY FITTING SET (FSx) BILL OF MATERIALS (BOM)
 - 8) CABLE GLANDS SHALL BE PROTECTED AGAINST CORROSION, EITHER BY HEAT SHRINK, CORROSION TAPE OR PVC SHROUD.
 - 9) CHASSIS GROUNDING SHALL BE MADE AT TWO DIAGONAL OPPOSITE CORNERS USING TWO-HOLE COMPRESSION CONNECTORS (2/0AWG COPPER).
 - 10) OPTIONAL PURGE INTERLOCK OPTION
 - 11) USE 18 AWG WIRING UNLESS OTHERWISE INDICATED
 - 12) ALL WIRES BUNDLES ENTERING ENCLOSURES SHALL BE PROTECT WITH HEATSHRINK



Flow Management Devices, LLC
5225 S 37th St, Suite 4
Phoenix, Az 85040
602-233-9885

SYSTEM WIRING SENSORS STD

NAME	DATE	TITLE:
DRAWN	7/9/2018	SYSTEM WIRING SENSORS STD
LAST REVISED	kazi.hussain	P/N: 000-113944-DOC
CHECKED		MODEL#: CLASS 1 DIV 2 TURCK
SO#:		
SHEET 01 OF 01		REVISION A