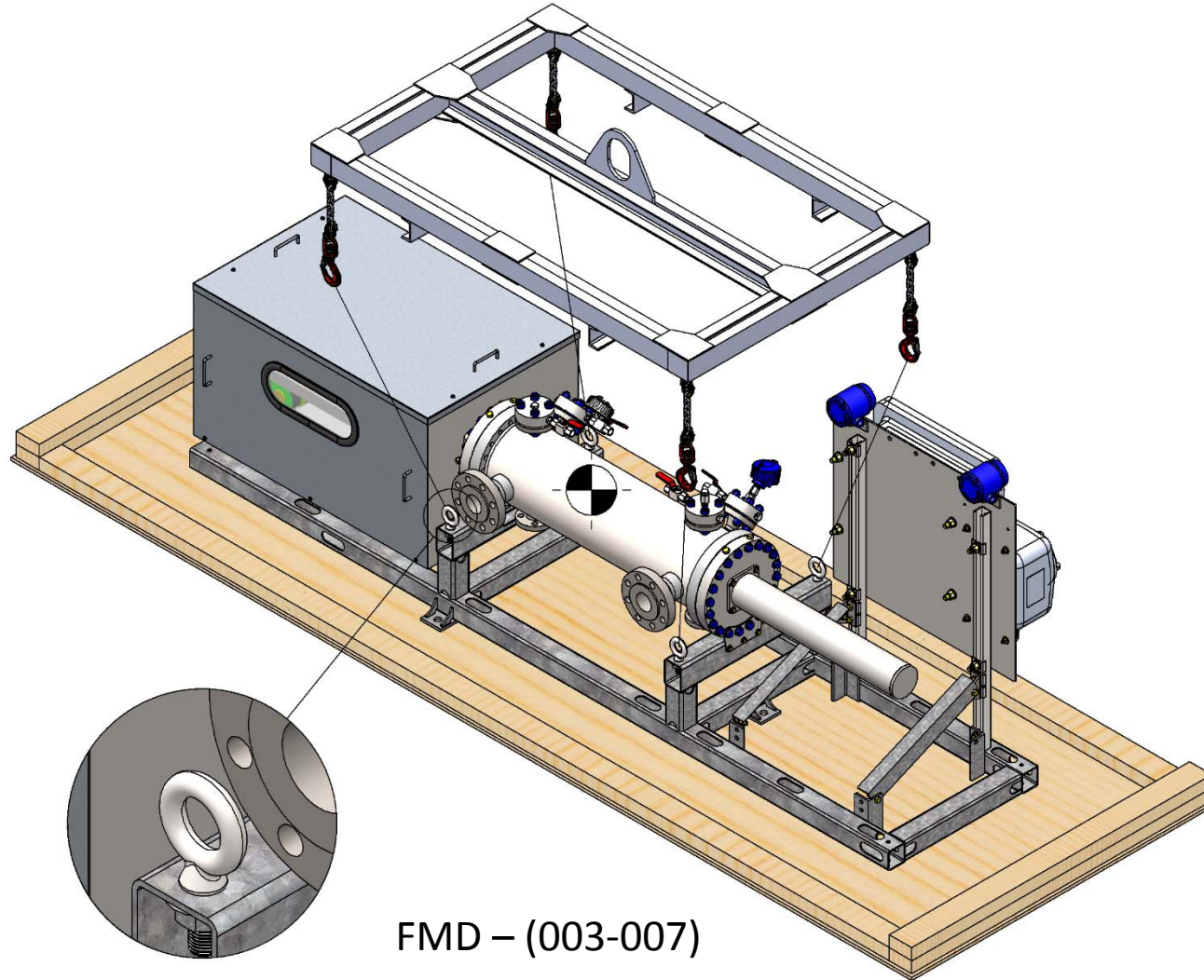
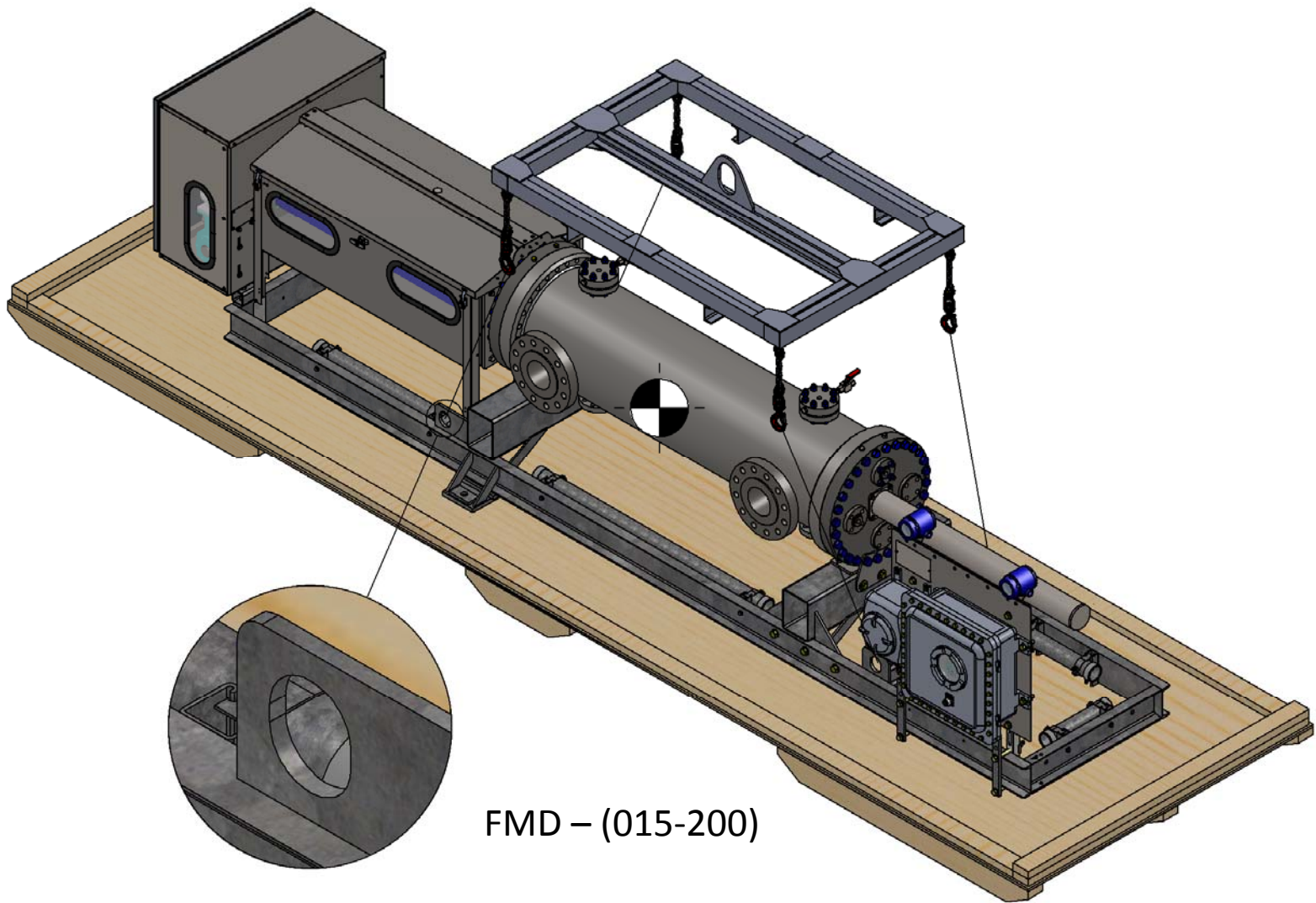


LIFTING PROVER FMD - (003-007) & FMD - (015-200)

The following figure indicates the location for lifting eyes and center of gravity to be used by forklift or crane operators.



FMD – (003-007)



FMD - (015-200)