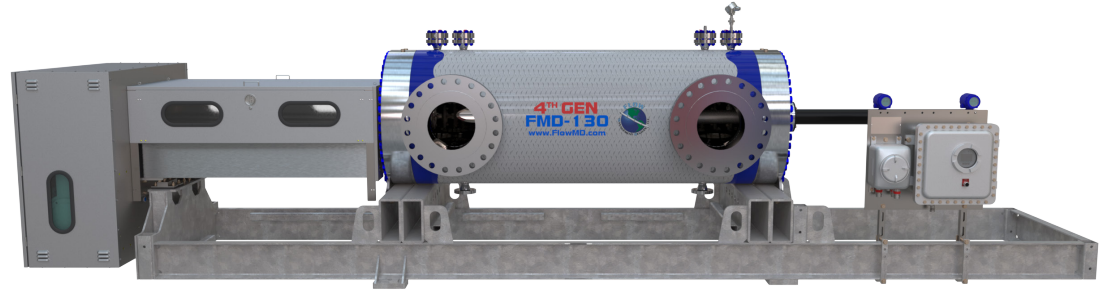


Unidirectional Captive Displacement Small Volume Prover

FMD130

The Flow MD Unidirectional Captive Displacement Provers set the standard in small volume proving. With an innovative and patented drive-end, the Flow MD line of provers provides superior design and functionality.



FMD130 Specifications

*Max Flow Rate	GPM	BPH	M ³ H	
	13,000	18,500	2,900	
Displaced Volume	Gallons		*Liters	
	Primary	Secondary	Primary	Secondary
	90	60	340	227
Std Flange Size	16" ANSI			
Turndown	1200 : 1			

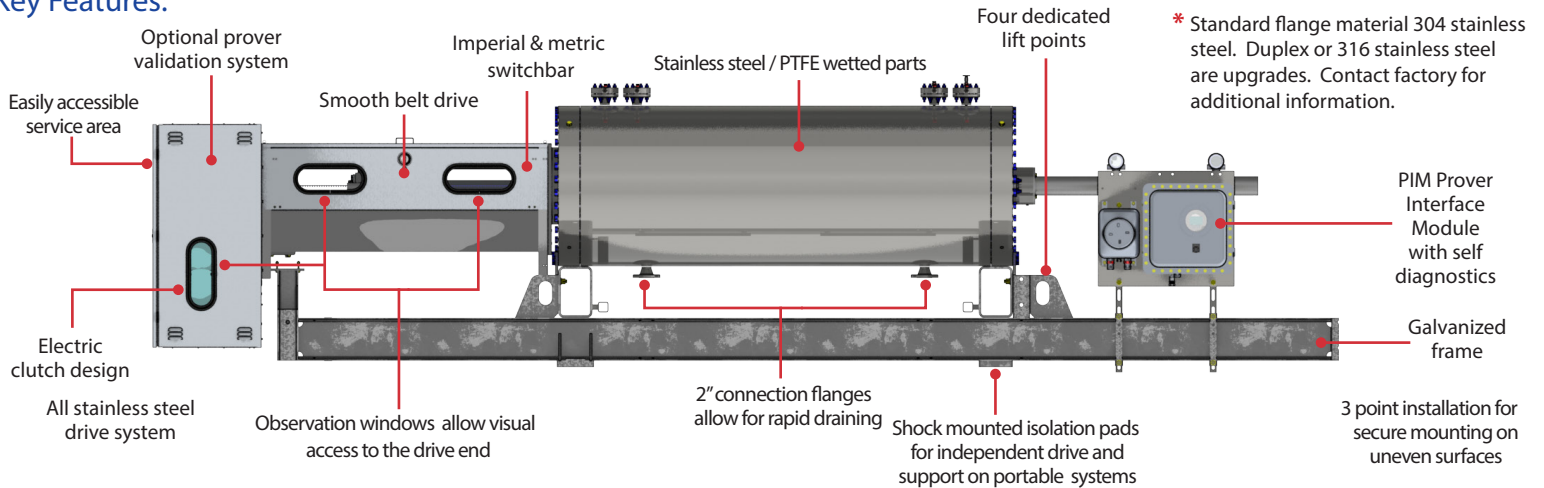
Approvals & Certifications

ISO	9001:2015 Cert# 0110-156-2, 17025:2005 Cert # L14240
EC	Mach Dir:2006/42/EC, EN 12100-2:2003, ATEX Directive 94/9/EC, EN 13463-1:2009, EN 13463-5:2003, EN 60079-0, EN 60079-7, EN 60079-11
CSA (US & Canada)	Class 3218 06, Class 1 Div 1 Group D; Class 1 Div 2 Group D / Clutch & Brake Assembly - EX m IIC T5
IECEX	USA /ETL/QAR 15.0014/0, 101653329CRT-002
ABSA	CRN: OF1072.2

*Please contact FMD to verify prover sizing. Meter type, process fluid and operating conditions must be considered to properly size a prover.

Please note: Standard prover volume is in gallons, liters are optional - Prover requires non-standard switchbar for liters. Alternate displaced volumes are available for liters, please contact factory for additional information. * Liters are a direct conversion and not indicative of Seraphin can sizes.

Key Features:

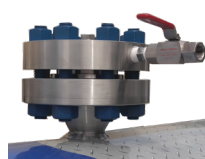


P.I.M Electronic Module

Vent Manifolds (2)

Electrical Connections

Included in the Standard Prover Package

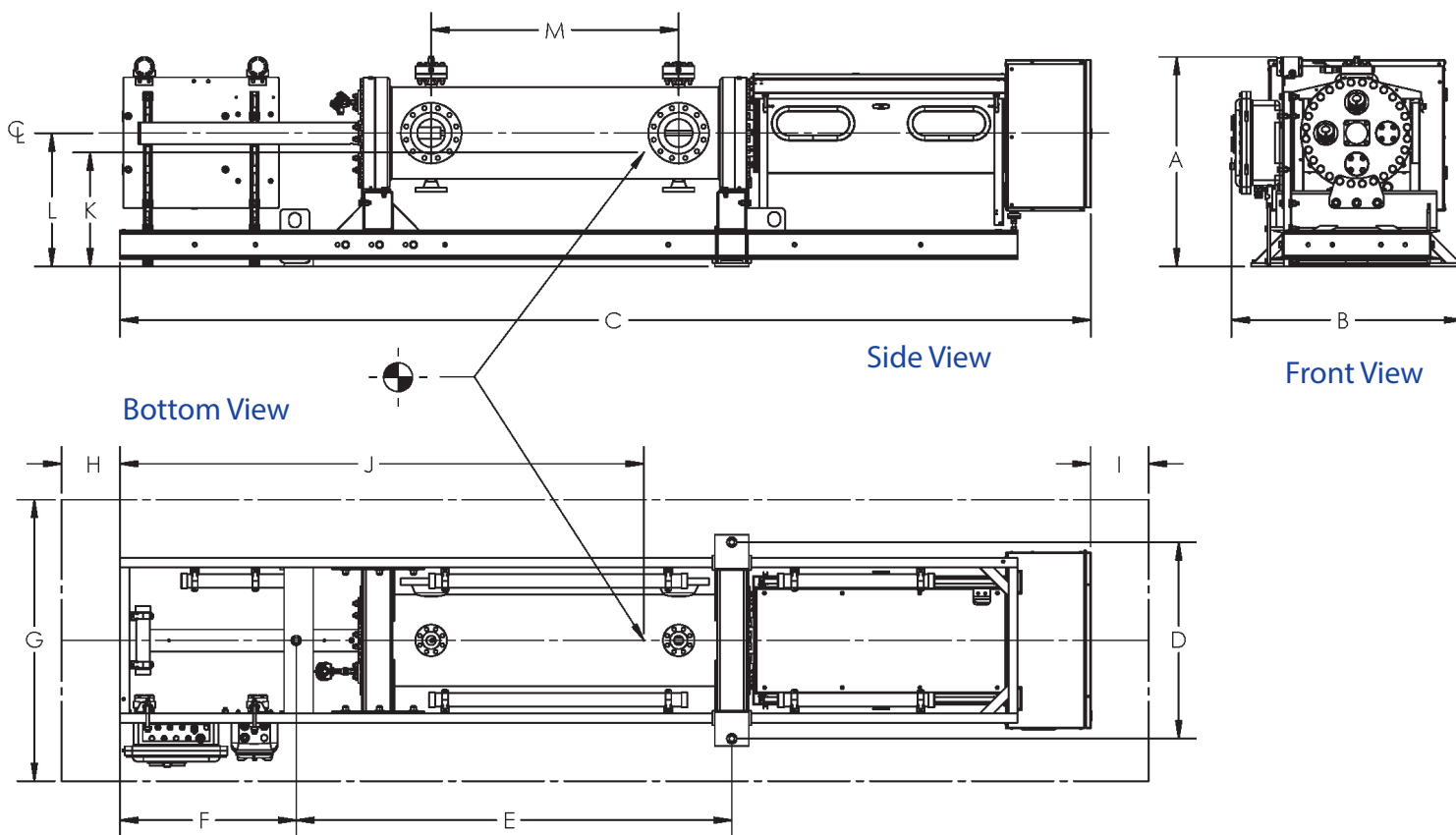


Check out the Prover Options Brochure for additional options

"In pursuit of improving liquid and gas measurement technology"

Flow Management Devices, LLC

+1.602.233.9885 - F: 602.233.9887
E: sales@flowmd.com - www.flowmd.com
5225 S. 37th St # 4 - Phoenix, AZ 85040 USA



Weights	Weight (+/- 5%)		Weight w/ Crate (+/- 5%) LBS	Weight Filled w/ Water (+/- 5%) LBS
	LBS	KGS		
ANSI Pressure 150 #	16,765	7,605	17,385	19,765
ANSI Pressure 300 #	18,110	8,215	18,740	21,060
ANSI Pressure 600 #	23,225	10,535	26,275	26,055

Dimensions (inches)		A	B	C	D	E	F	G	H	I	J	K	L	M
Model	Pressure Rating													
FMD130	150 #	72	69	280	56	94	87	124	30	30	160	35	42.25	73.00
FMD130	300 #	76	64	280	56	98	83	124	30	30	155	35	42.25	73.00
FMD130	600 #	76	64	288	56	106	85	124	30	30	157	37	42.88	71.50

Drawing Notes:

1. DIMENSIONS "J" AND "K" ARE FOR CENTER OF GRAVITY WITHIN 6 INCHES -
2. DIMENSIONS "A", "B" AND "C" ARE OVERALL DIMENSIONS -
3. SPACIAL DIMENSIONS HAVE A TOLERANCE OF +/- 1.00 INCHES
4. DIMENSIONS "G", "H" AND "I" ARE FOR SERVICE ZONE -
5. ALL DIMENSIONS ARE SUBJECT TO CHANGE WITHOUT NOTICE

Energy Consumption	Motor Voltage/Phase Availability & Amperage Draw			
	Motor Size 7.5 hp	Voltage /Phase	230VAC 3ph	400VAC 3ph
Amperage Draw		19	CF	9.5

CF = Consult Factory



Contact Us Today to Discuss your Proving Application

Flow Management Devices, LLC

+1.602.233.9885 - F: 602.233.9887

E: sales@flowmd.com - www.flowmd.com

5225 S. 37th St # 4 - Phoenix, AZ 85040 USA