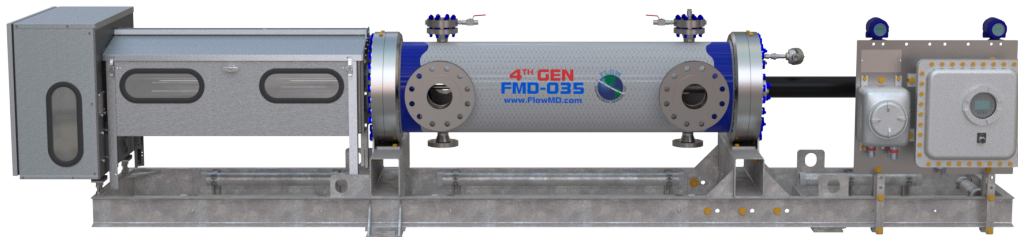


Unidirectional Captive Displacement Small Volume Prover FMDA35

The Flow MD Unidirectional Captive Displacement Provers set the standard in small volume proving. With an innovative and patented drive-end, the Flow MD line of provers provides superior design and functionality.



FMDA35 Specifications

*Max Flow Rate	GPM	BPH	M ³ H	
	3,500	5,000	790	
Displaced Volume	Gallons		*Liters	
	Primary	Secondary	Primary	Secondary
	25	20	95	76
Std Flange Size	8" ANSI			
Turndown	1200 : 1			

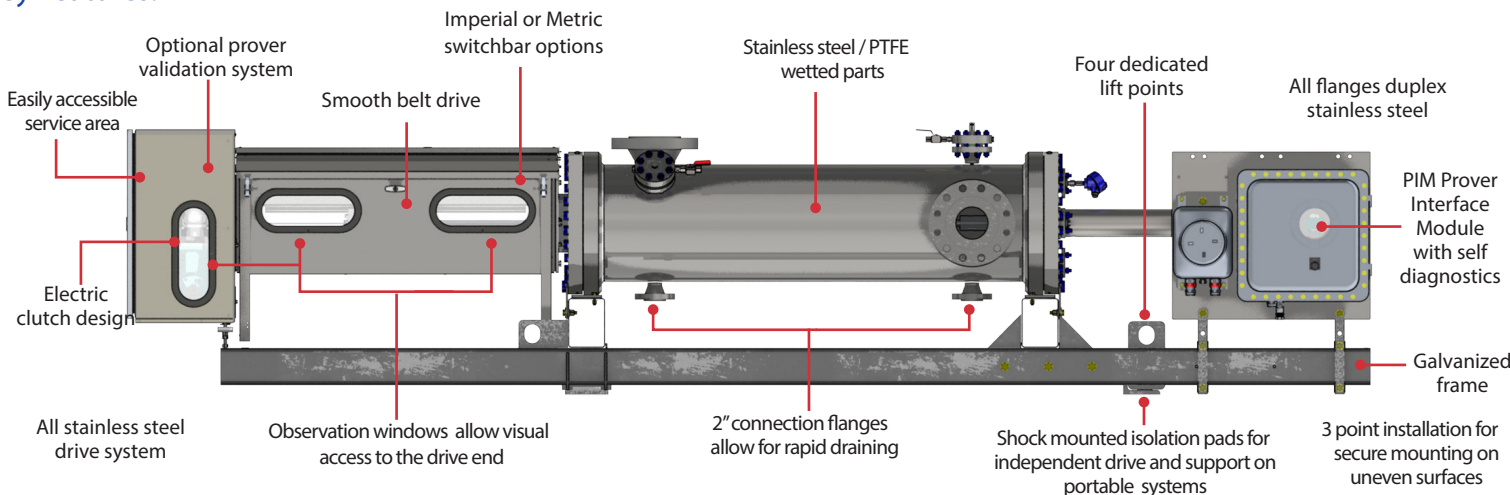
Approvals & Certifications

ISO	9001:2015 Cert# 0110-156-2, 17025:2005 Cert # L14240
EC	Mach Dir:2006/42/EC, EN 12100-2:2003, ATEX Directive 94/9/EC, EN 13463-1:2009, EN 13463-5:2003, EN 60079-0, EN 60079-7, EN 60079-11
CSA (US & Canada)	Class 3218 06, Class 1 Div 1 Group D; Class 1 Div 2 Group D / Clutch & Brake Assembly - EX m IIC T5
IECEx	USA /ETL/QAR 15.0014/00 , 101653329CRT-002
ABSA	CRN: OF1072.2

*Please contact FMD to verify prover sizing. Meter type, process fluid and operating conditions must be considered to properly size a prover.

Please Note: Standard prover volume is in gallons, liters are optional. Prover requires non-standard switchbar for liters. Alternate displaced volumes are available for liters, please contact factory for additional information. * Liters are a direct conversion and not indicative of Seraphin can sizes.

Key Features:

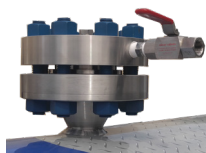


P.I.M Electronics Module

Vent Manifolds (2)

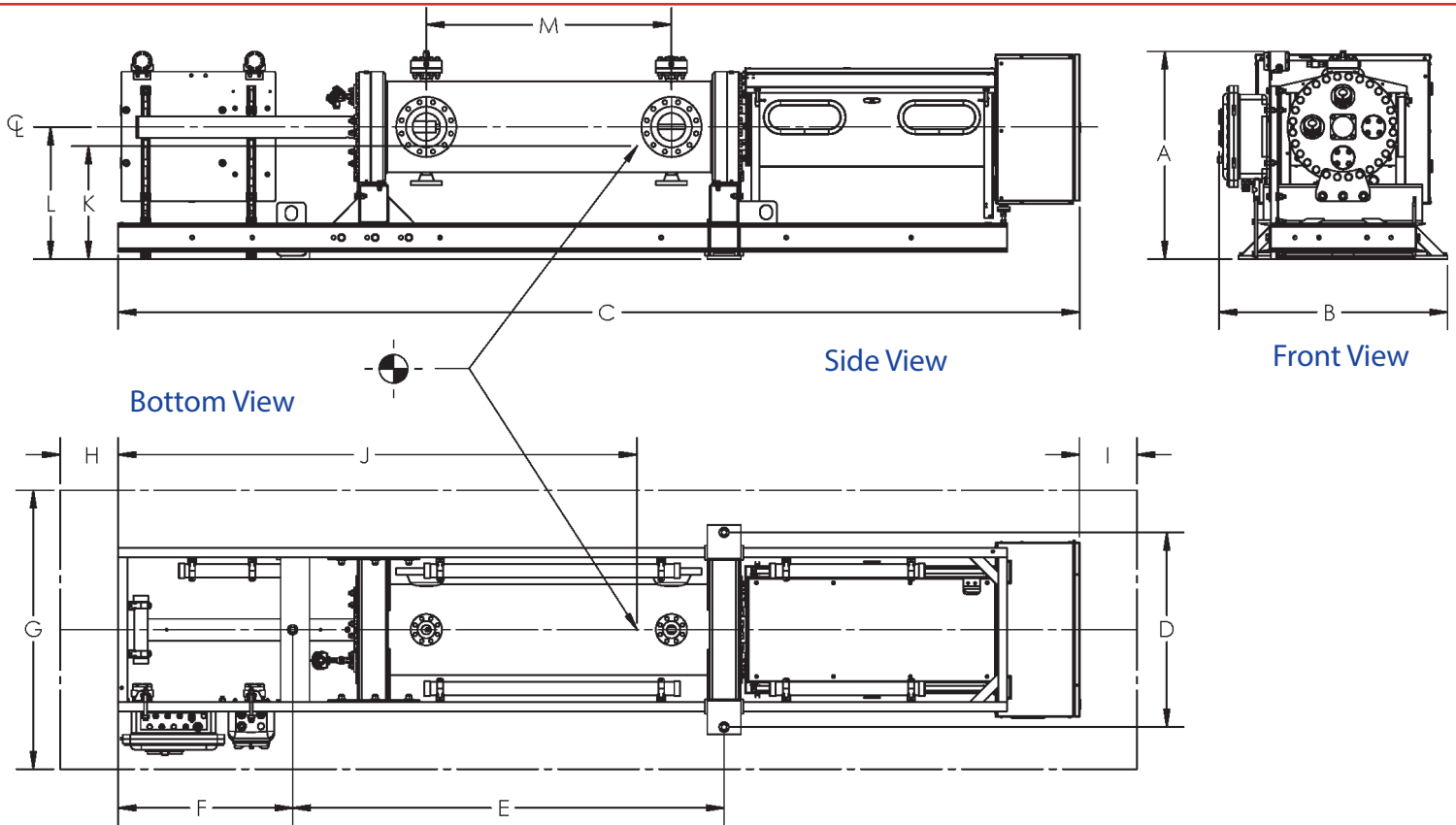
Electrical Connections

Included in the Standard Prover Package



Check out FMD's Prover Options Brochure for additional options

"In pursuit of improving liquid and gas measurement technology"



Weights	Weight (+/- 10%)		Weight w/ Crate (+/- 10%) LBS	Weight Filled w/ Water (+/- 10%) LBS
	LBS	KGS		
ANSI Pressure 150 #	4,180	1,900	4,880	4,775
ANSI Pressure 300 #	4,280	1,945	4,980	4,875
ANSI Pressure 600 #	4,380	1,990	5,080	4,975
ANSI Pressure 900 #	5,600	2,540	6,300	6,195

Dimensions (inches)		A	B	C	D	E	F	G	H	I	J	K	L	M
Model	Pressure Rating													
FMDA35	150/300/600 #	50	48	200	41	90	37	109	30	30	100	24	29.5	51
FMDA35	900 #	50	48	200	41	90	37	109	30	30	96	27	30	51

Drawing Notes:
 1. DIMENSIONS "J" AND "K" ARE FOR CENTER OF GRAVITY WITHIN 6 INCHES -2. DIMENSIONS "A," "B" AND "C" ARE OVERALL DIMENSIONS -3. SPACIAL DIMENSIONS HAVE A TOLERANCE OF +/- 1.00 INCHES -4. DIMENSIONS "G," "H" AND "I" ARE FOR SERVICE ZONE -5. ALL DIMENSIONS ARE SUBJECT TO CHANGE WITHOUT NOTICE

Energy Consumption	Motor Voltage/Phase Availability & Amperage Draw						
	Voltage /Phase	24 VDC	120 VAC	230 VAC 1ph	230 VAC 3ph	400 VAC 3 ph	460 VAC 3 ph
Motor Size							
1.0 hp	Amperage Draw	40	13	6.5	3.0	2.0*	1.5

*50 Hertz

Contact Us Today to Discuss your Proving Application



Flow Management Devices, LLC