

## Unidirectional Captive Displacement Small Volume Prover

### FMD200

The Flow MD Unidirectional Captive Displacement Provers set the standard in small volume proving. With an innovative and patented drive-end, the Flow MD line of provers provides superior design and functionality.



#### FMD200 Specifications

*Max Flow Rate	GPM	BPH	M <sup>3</sup> H	
	20,000	28,500	4,500	
**Displaced Volume	Gallons		***Liters	
	Primary	Secondary	Primary	Secondary
	140	100	530	378
Std Flange Size	20" ANSI B16.5			
Turndown	1200 : 1			

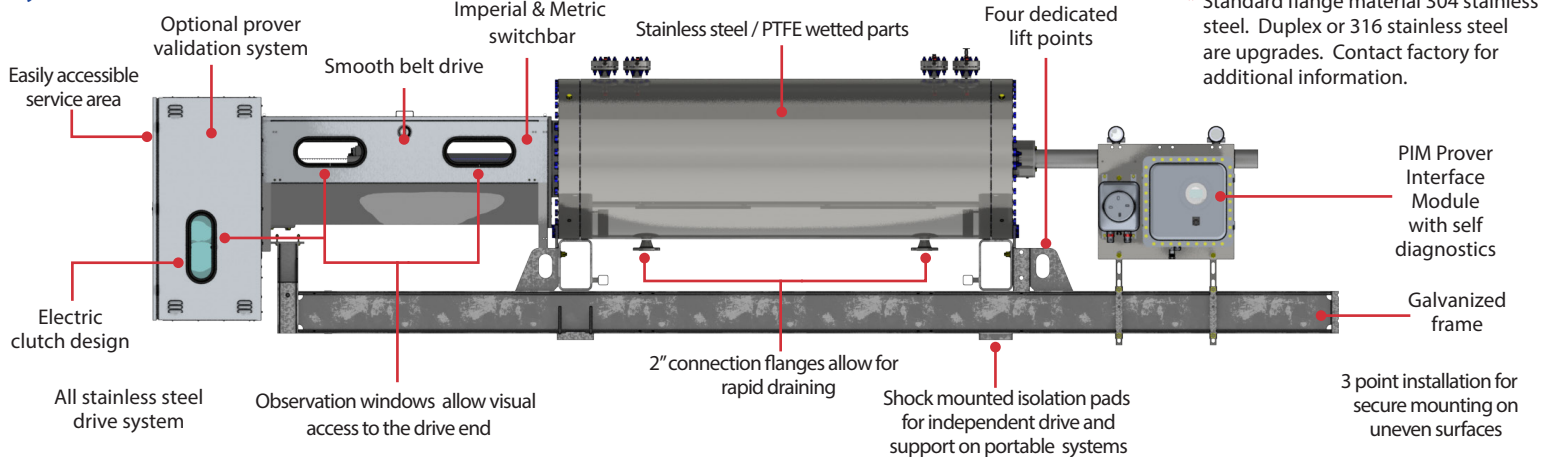
#### Approvals & Certifications

ISO	9001:2015 Cert# 0110-156-2, 17025:2005 Cert # L14240
EC	Mach Dir:2006/42/EC, EN 12100-2:2003, ATEX Directive 94/9/EC, EN 13463-1:2009, EN 13463-5:2003, EN 60079-0, EN 60079-7, EN 60079-11
CSA (US & Canada)	Class 3218 06, Class 1 Div 1 Group D; Class 1 Div 2 Group D / Clutch & Brake Assembly - EX m IIC T5
IECEX	USA /ETL/QAR 15.0014/0 , 101653329CRT-002
ABSA	CRN: OF1072.2

\*Please contact FMD to verify prover sizing. Meter type, process fluid and operating conditions must be considered to properly size a prover.

\*\*Please note: Standard prover volume is in gallons, liters are optional. Prover requires non-standard switchbar for liters. Alternate displaced volumes are available for liters, please contact factory for additional information. \*\*\* Liters are a direct conversion and not indicative of Seraphin can sizes.

#### Key Features:

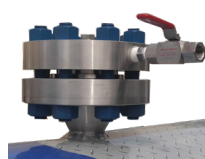


P.I.M Electronic Module

Vent Manifolds (2)

Electrical Connections

Included in the Standard Prover Package

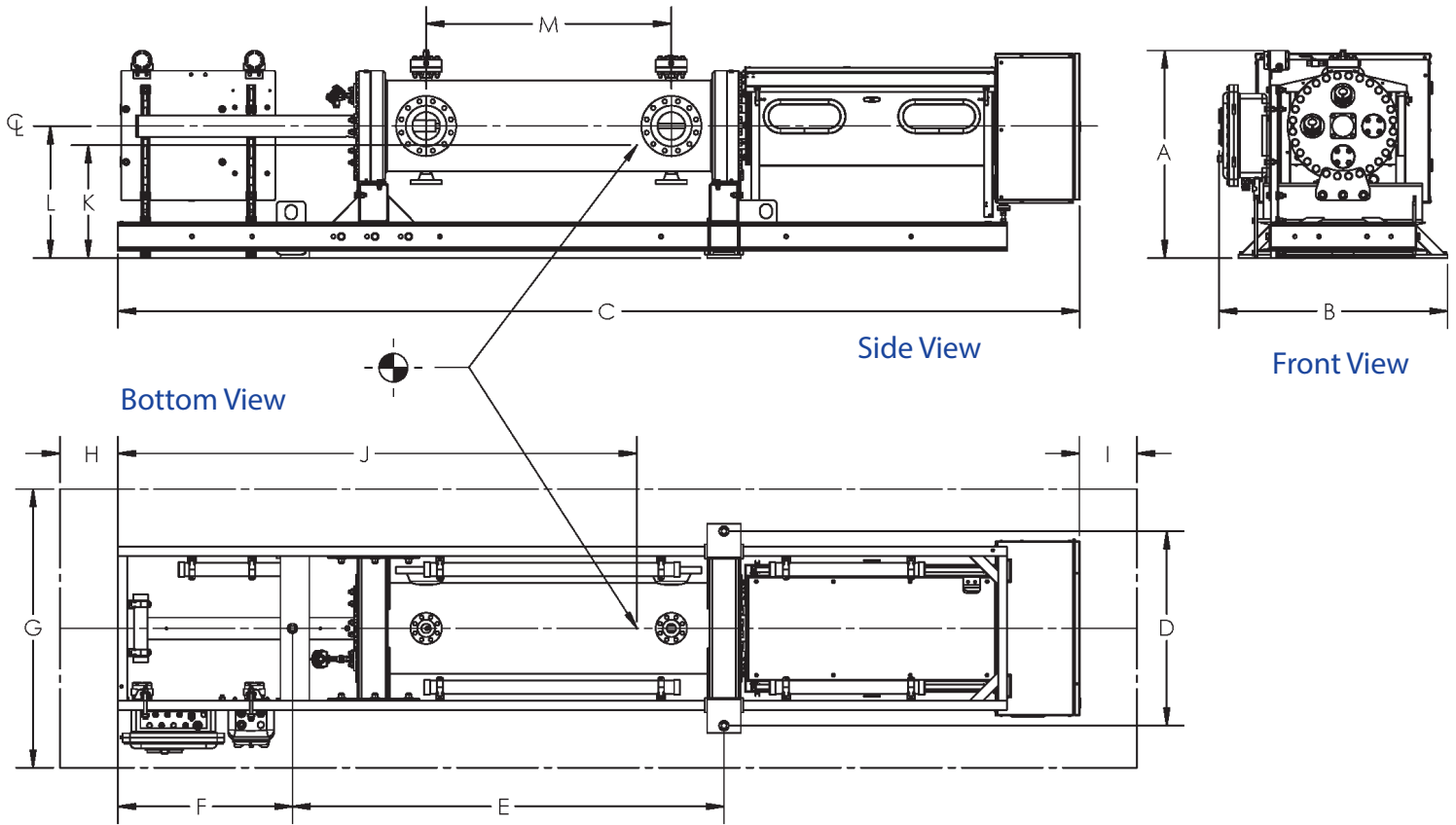


Check out the Prover Options Brochure for additional options

“In pursuit of improving liquid and gas measurement technology”

Flow Management Devices, LLC

+1.602.233.9885 - F: 602.233.9887  
E: sales@flowmd.com - www.flowmd.com  
5225 S. 37th St # 4 - Phoenix, AZ 85040 USA



Weights	Weight (+/- 5%)		Weight w/ Crate (+/- 5%) LBS	Weight Filled w/ Water (+/- 5%) LBS
	LBS	KGS		
ANSI Pressure 150 #	20,480	9,290	24,840	24,960
ANSI Pressure 300 #	23,680	10,740	28,040	28,160
ANSI Pressure 600 #	33,850	15,355	38,210	38,330

Dimensions (inches)		A	B	C	D	E	F	G	H	I	J	K	L	M
Model	Pressure Rating													
FMD200	150 #	78	72	294	64	108	87	132	30	30	152	39	45.38	80
FMD200	300 #	80	72	299	64	115	85	132	30	30	162	39	45.50	80
FMD200	600 #	80	72	308	64	121	88	132	30	30	163	42	46.75	79.50

**Drawing Notes:**

1. DIMENSIONS "J" AND "K" ARE FOR CENTER OF GRAVITY WITHIN 6 INCHES - 2. DIMENSIONS "A", "B" AND "C" ARE OVERALL DIMENSIONS - 3. SPACIAL DIMENSIONS HAVE A TOLERANCE OF +/- 1.00 INCHES 4. DIMENSIONS "G", "H" AND "I" ARE FOR SERVICE ZONE - 5. ALL DIMENSIONS ARE SUBJECT TO CHANGE WITHOUT NOTICE

Energy Consumption	Motor Voltage/Phase Availability & Amperage Draw			
	Motor Size 7.5 hp	Voltage /Phase	230 VAC 3ph	400 VAC 3ph
Amperage Draw		19	CF	9.5

CF = Consult Factory



Contact Us Today to Discuss your Proving Application

Flow Management Devices, LLC

+1.602.233.9885 - F: 602.233.9887  
E: sales@flowmd.com - www.flowmd.com  
5225 S. 37th St # 4 - Phoenix, AZ 85040 USA