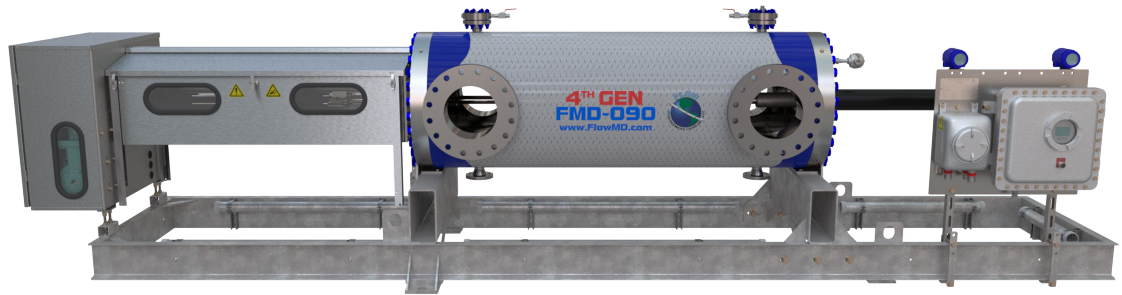


Unidirectional Captive Displacement Small Volume Prover FMD090

The Flow MD Unidirectional Captive Displacement Provers set the standard in small volume proving. With an innovative and patented drive-end, the Flow MD line of provers provides superior design and functionality.



FMD090 Specifications

*Max Flow Rate	GPM	BPH	M ³ H	
	9,000	12,850	2,000	
Displaced Volume	Gallons		*Liters	
	Primary	Secondary	Primary	Secondary
	80	60	302	227
Std Flange Size	12" ANSI			
Turndown	1200 : 1			

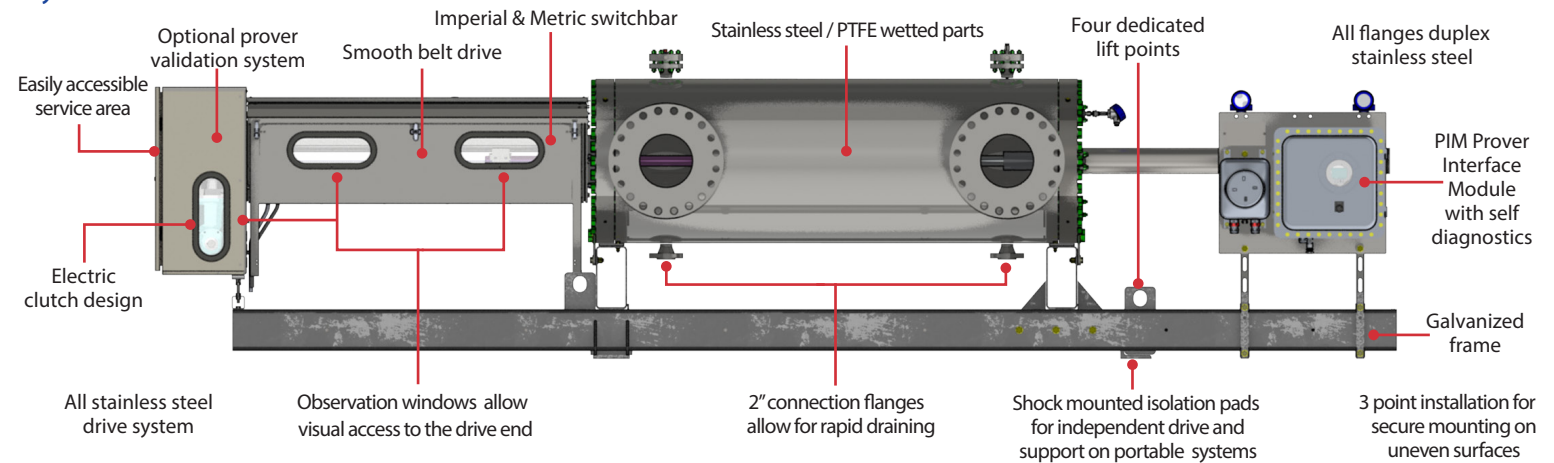
Approvals & Certifications

ISO	9001:2015 Cert# 0110-156-2, 17025:2005 Cert # L14240
EC	Mach Dir:2006/42/EC, EN 12100-2:2003, ATEX Directive 94/9/EC, EN 13463-1:2009, EN 13463-5:2003, EN 60079-0, EN 60079-7, EN 60079-11
CSA (US & Canada)	Class 3218 06, Class 1 Div 1 Group D; Class 1 Div 2 Group D / Clutch & Brake Assembly - EX m IIC T5
IECEX	USA /ETL/QAR 15.0014/0 , 101653329CRT-002
ABSA	CRN: OF1072.2

*Please contact FMD to verify prover sizing. Meter type, process fluid and operating conditions must be considered to properly size a prover.

Please note: Standard prover volume is in gallons, liters are optional. Prover requires non-standard switchbar for liters. Alternate displaced volumes are available for liters, please contact factory for additional information. *Liters are a direct conversion and not indicative of Seraphin can sizes.

Key Features:

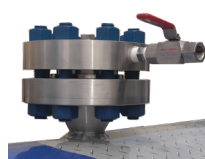


P.I.M Electronic Module

Vent Manifolds (2)

Electrical Connections

Included in the Standard Prover Package

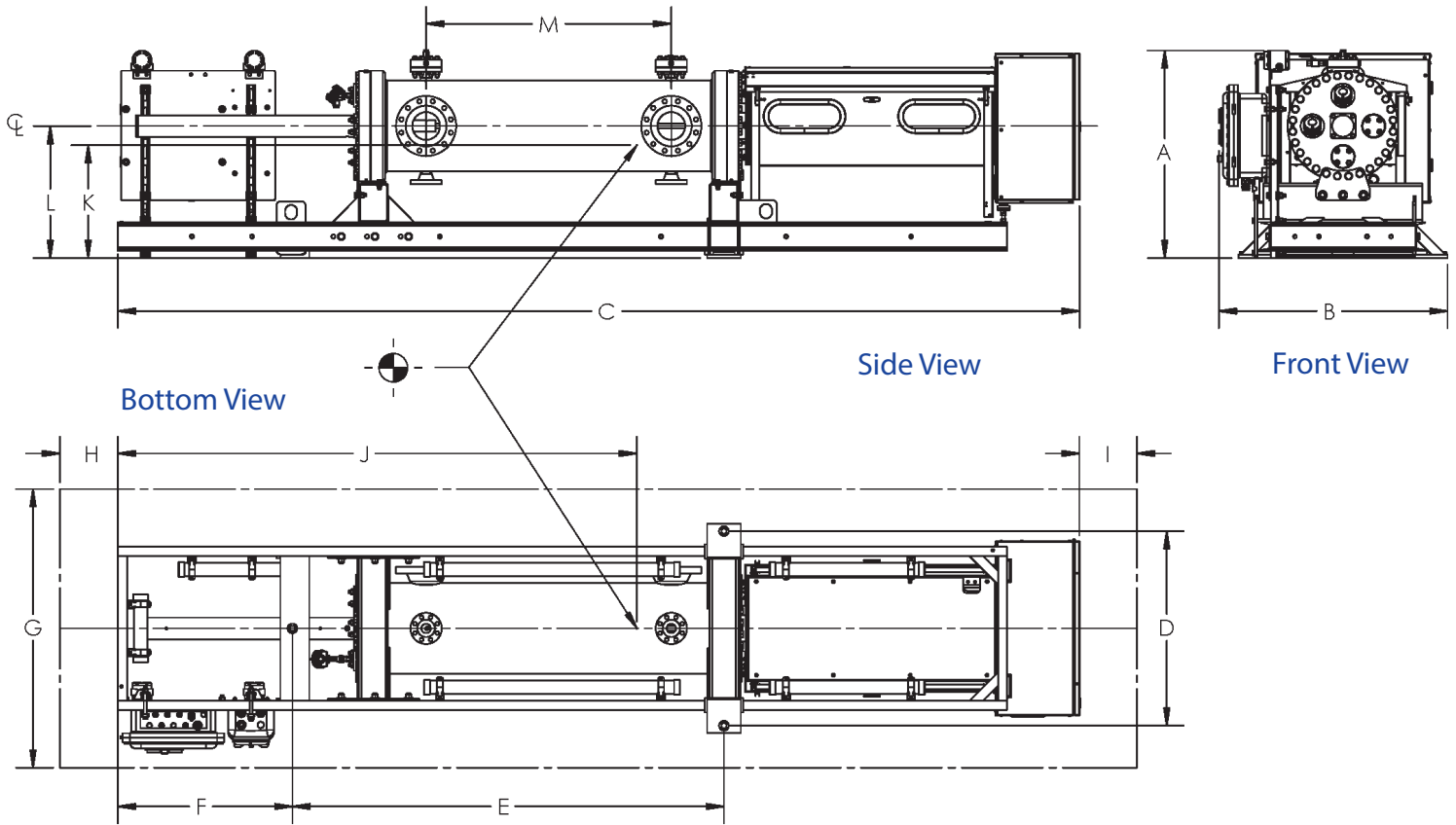


Check out the Prover Options Brochure for additional options

“In pursuit of improving liquid and gas measurement technology”

Flow Management Devices, LLC

+1.602.233.9885 - F: 602.233.9887
E: sales@flowmd.com - www.flowmd.com
5225 S. 37th St # 4 - Phoenix, AZ 85040 USA



Weights	Weight (+/- 5%)		Weight w/ Crate (+/- 5%) LBS	Weight Filled w/ Water (+/- 5%) LBS
	LBS	KGS		
ANSI Pressure 150 #	10,975	4,990	12,230	12,630
ANSI Pressure 300 #	11,165	5,075	12,420	12,820
ANSI Pressure 600 #	11,360	5,165	12,615	13,015

Dimensions (inches)		A	B	C	D	E	F	G	H	I	J	K	L	M
Model	Pressure Rating													
FMD090	150/300/600 #	60	59	237	52	101	50	120	30	30	114	34	37.75	65

Drawing Notes:

1. DIMENSIONS "J" AND "K" ARE FOR CENTER OF GRAVITY WITHIN 6 INCHES - 2. DIMENSIONS "A," "B" AND "C" ARE OVERALL DIMENSIONS - 3. SPACIAL DIMENSIONS HAVE A TOLERANCE OF +/- 1.00 INCHES 4. DIMENSIONS "G," "H" AND "I" ARE FOR SERVICE ZONE - 5. ALL DIMENSIONS ARE SUBJECT TO CHANGE WITHOUT NOTICE

Energy Consumption	Motor Voltage/Phase Availability & Amperage Draw						
	Voltage /Phase	24 VDC	120 VAC	230 VAC 1ph	230 VAC 3ph	400 VAC 3 ph	460 VAC 3 ph
Motor Size 2.0 hp	Amperage Draw	--	22	11	5.8	CF	2.9

CF=Consult Factory



Contact Us Today to Discuss your Proving Application

Flow Management Devices, LLC

+1.602.233.9885 - F: 602.233.9887
E: sales@flowmd.com - www.flowmd.com
5225 S. 37th St # 4 - Phoenix, AZ 85040 USA