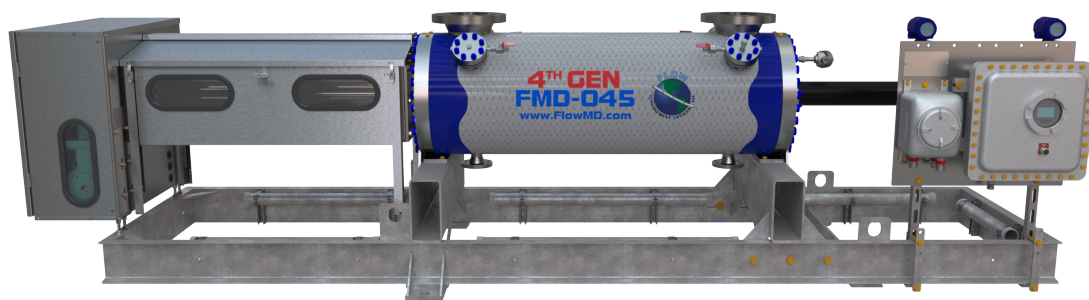




The Flow MD Unidirectional Captive Displacement Provers set the standard in small volume proving. With an innovative and patented drive-end, the Flow MD line of provers provides superior design and functionality.



#### FMD045 Specifications

*Max Flow Rate	GPM	BPH	M <sup>3</sup> H	
	4,500	6,400	1,022	
**Displaced Volume	Gallons		***Liters	
	Primary	Secondary	Primary	Secondary
	35	25	132	95
Std Flange Size	8" ANSI B16.5			
Turndown	1200 : 1			

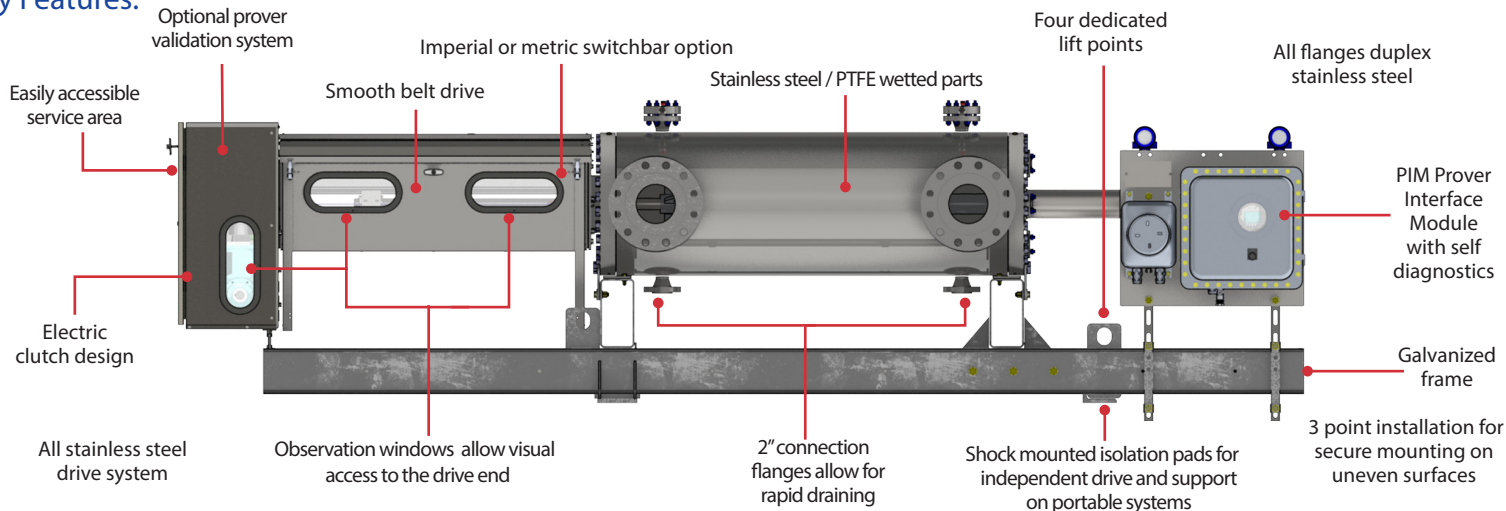
#### Approvals & Certifications

ISO	9001:2015 Cert# 0110-156-2, 17025:2005 Cert # L14240
EC	Mach Dir:2006/42/EC, EN 12100-2:2003, ATEX Directive 94/9/EC, EN 13463-1:2009, EN 13463-5:2003, EN 60079-0, EN 60079-7, EN 60079-11
CSA (US & Canada)	Class 3218 06, Class 1 Div 1 Group D; Class 1 Div 2 Group D / Clutch & Brake Assembly - EX m IIC T5
IECEX	USA /ETL/QAR 15.0014/00 , 101653329CRT-002
ABSA	CRN: OF1072.2

\*Please contact FMD to verify prover sizing. Meter type, process fluid and operating conditions must be considered to properly size a prover.

\*\*Please note: Standard prover volume is in gallons, liters are optional - Prover requires non-standard switchbar for liters. Alternate displaced volumes are available for liters, please contact factory for additional information. \*\*\* Liters are a direct conversion and not indicative of Seraphin can sizes.

#### Key Features:

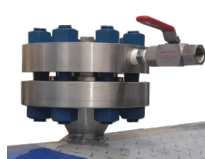


PIM Electronics Module

Vent Manifolds (2)

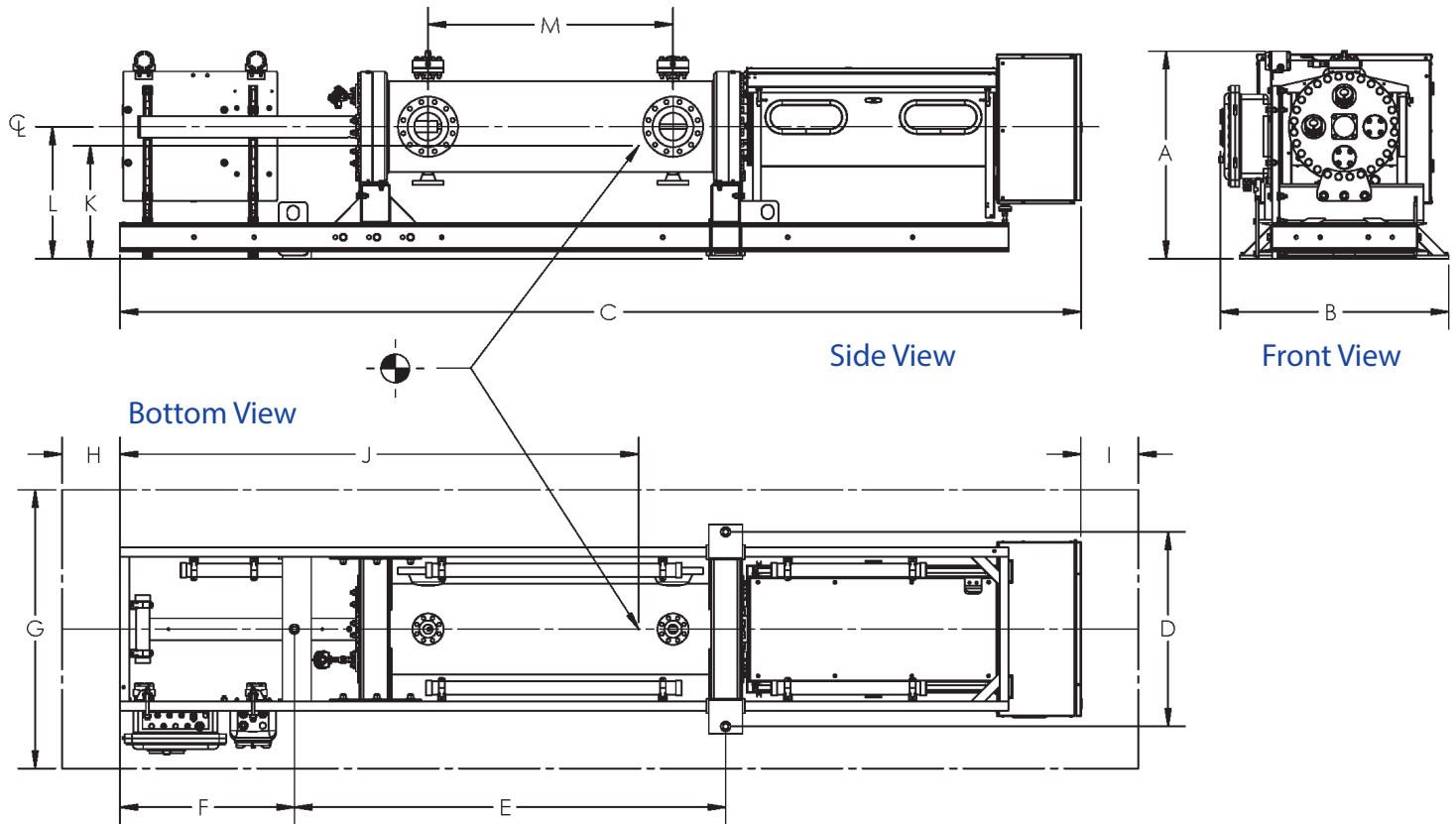
Electrical Connections

Included in the Standard Prover Package



Check out FMD's Prover Options Brochure for additional options

"In pursuit of improving liquid and gas measurement technology"



Weights	Weight (+/- 10%)		Weight w/ Crate (+/-10%) LBS	Weight Filled w/ Water (+/- 10%) LBS
	LBS	KGS		
ANSI Pressure 150 #	7,130	3,240	8,055	7,925
ANSI Pressure 300 #	7,230	3,285	8,155	8,025
ANSI Pressure 600 #	7,330	3,330	8,255	8,125
ANSI Pressure 900 #	8,750	3,970	9,675	9,545

Dimensions		A	B	C	D	E	F	G	H	I	J	K	L	M
Model	Pressure Rating													
FMD045	150/300/600 #	53	60	196	52	85	35	120	30	30	95	30	34.38	54.25
FMD045	900 #	55	60	196	52	85	35	120	30	30	93	31	35.00	53.38

**Drawing Notes:**

1. DIMENSIONS "J" AND "K" ARE FOR CENTER OF GRAVITY WITHIN 6 INCHES - 2. DIMENSIONS "A", "B" AND "C" ARE OVERALL DIMENSIONS - 3. SPACIAL DIMENSIONS HAVE A TOLERANCE OF +/- 1.00 INCHES - 4. DIMENSIONS "G", "H" AND "I" ARE FOR SERVICE ZONE - 5. ALL DIMENSIONS ARE SUBJECT TO CHANGE WITHOUT NOTICE

Energy Consumption	Motor Voltage/Phase Availability & Amperage Draw												
	Voltage /Phase	24 VDC		120 VAC		230 VAC 1ph		230 VAC 3ph		400 VAC 3 ph		460 VAC 3 ph	
Motor Size 1.0hp (Portable & DC) 1.5hp (Stationary & 120-480 VAC)	Amperage Draw	1 hp	40	1 hp	13	1 hp	9.5	1.0 hp	CF	1.0 hp	CF	1.0 hp	CF
				1.5 hp	19	1.5 hp	11	1.5 hp	3.8	1.5 hp	CF	1.5 hp	1.9

CF=Consult Factory



Contact Us Today to Discuss your Proving Application

Flow Management Devices, LLC