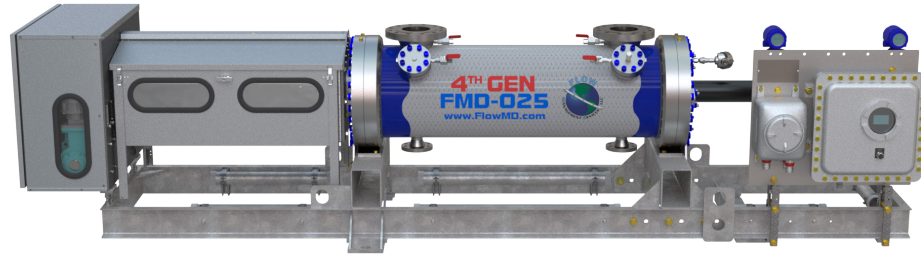


Unidirectional Captive Displacement Small Volume Prover

FMD025

The Flow MD Unidirectional Captive Displacement Provers set the standard in small volume proving. With an innovative and patented drive-end, the Flow MD line of provers provides superior design and functionality.



FMD025 Specifications

*Max Flow Rate	GPM	BPH	M ³ H	
	2,500	3,570	560	
Displaced Volume	Gallons		*Liters	
	Primary	Secondary	Primary	Secondary
	20	15	76	57
Std Flange Size	6" ANSI			
Turndown	1200 : 1			

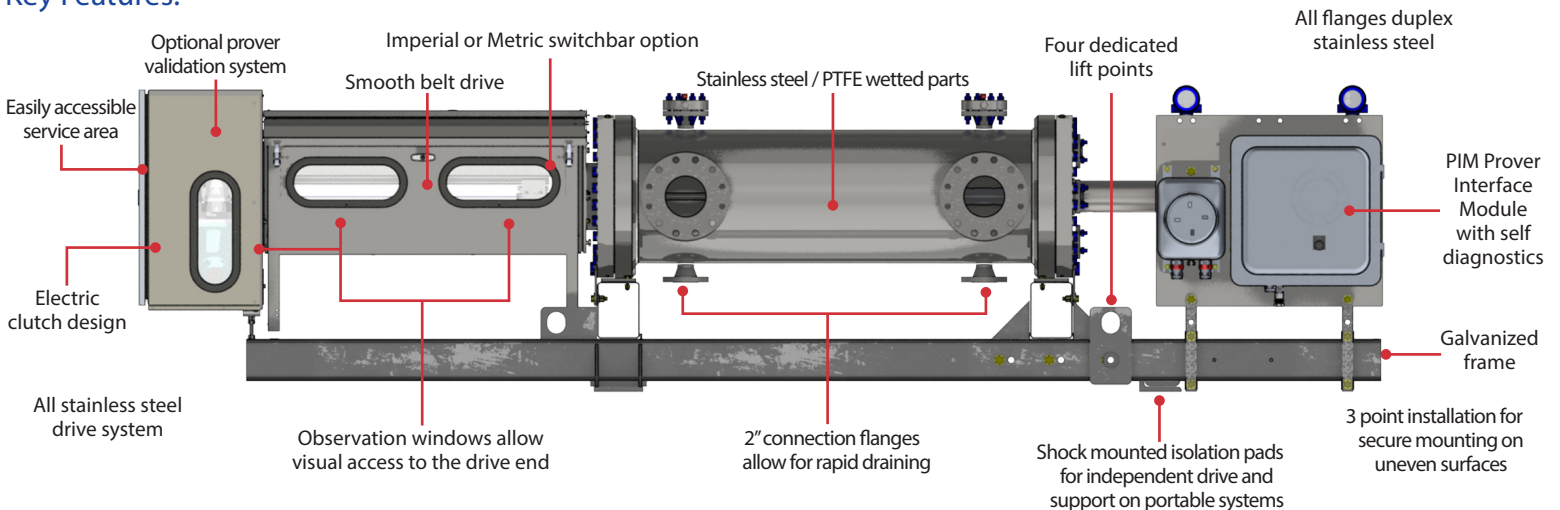
Approvals & Certifications

ISO	9001:2015 Cert# 0110-156-2, 17025:2005 Cert # L14240
EC	Mach Dir:2006/42/EC, EN 12100-2:2003, ATEX Directive 94/9/EC, EN 13463-1:2009, EN 13463-5:2003, EN 60079-0, EN 60079-7, EN 60079-11
CSA (US & Canada)	Class 3218 06, Class 1 Div 1 Group D; Class 1 Div 2 Group D / Clutch & Brake Assembly - EX m IIC T5
IECEX	USA /ETL/QAR 15.0014/00 , 101653329CRT-002
ABSA	CRN: OF1072.2

*Please contact FMD to verify prover sizing. Meter type, process fluid and operating conditions must be considered to properly size a prover.

Please Note: Standard prover volume is in gallons, liters are optional. Prover requires non-standard switchbar for liters. Alternate displaced volumes are available for liters, please contact factory for additional information. *Liters are a direct conversion and not indicative of Seraphin can sizes.

Key Features:

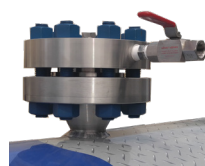


P.I.M Electronics Module

Vent Manifolds (2)

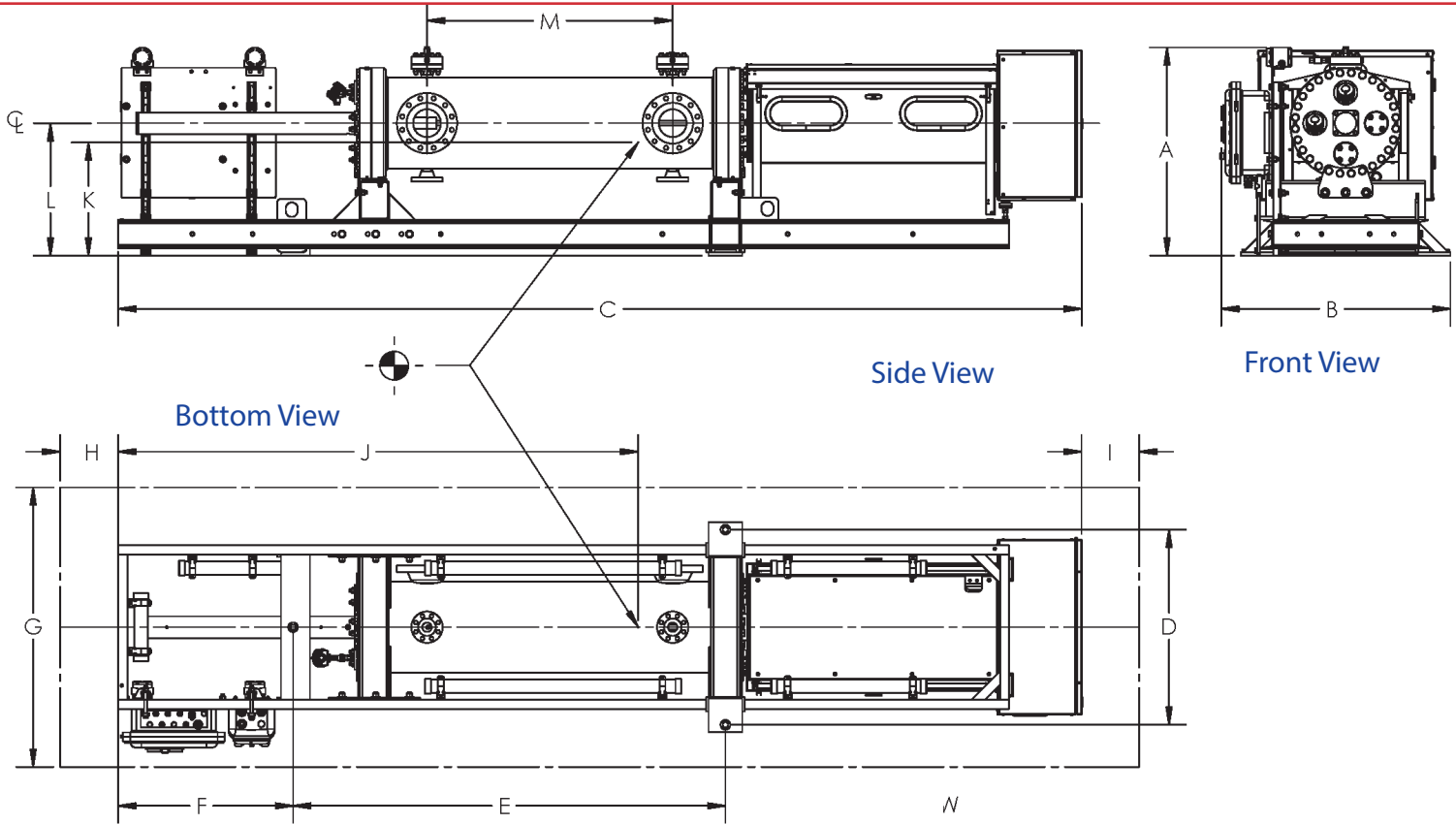
Electrical Connections

Included in
Standard Prover
Package



Check out FMD's
Prover Options Brochure
for additional options

"In pursuit of improving liquid and gas measurement technology"



Weights	Weight (+/- 10%)		Weight w/ Crate (+/- 10%) LBS	Weight Filled w/ Water (+/- 10%) LBS
	LBS	KGS		
ANSI Pressure 150 #	3,930	1,790	4,530	4,090
ANSI Pressure 300 #	4,020	1,830	4,630	4,180
ANSI Pressure 600 #	4,110	1,870	4,710	4,270
ANSI Pressure 900 #	5,400	2,450	6,000	5,560

Dimensions		A	B	C	D	E	F	G	H	I	J	K	L	M
Model	Pressure Rating													
FMD025	150/300/600#	49	48	175	41	77	31	109	30	30	86	24	29.5	42
FMD025	900#	49	48	175	41	77	31	109	30	30	84	27	30	42

Drawing Notes:
 1. DIMENSIONS "J" AND "K" ARE FOR CENTER OF GRAVITY WITHIN 6 INCHES - 2. DIMENSIONS "A", "B" AND "C" ARE OVERALL DIMENSIONS - 3. SPACIAL DIMENSIONS HAVE A TOLERANCE OF +/- 1.00 INCHES - 4. DIMENSIONS "G", "H" AND "I" ARE FOR SERVICE ZONE - 5. ALL DIMENSIONS ARE SUBJECT TO CHANGE WITHOUT NOTICE

Energy Consumption	Motor Voltage/Phase Availability & Amperage Draw							
	Motor Size	Voltage /Phase	24 VDC	120 VAC	230 VAC 1ph	230 VAC 3ph	400 VAC 3 ph	460 VAC 3 ph
1.0 hp	Amperage Draw		40	13	6.5	3.0	2.0 *	1.5

*50 Hertz



Contact Us Today to Discuss your Proving Application

Flow Management Devices, LLC