

Unidirectional Captive Displacement Small Volume Prover

FMD007

The Flow MD Unidirectional Captive Displacement Provers set the standard in small volume proving. With an innovative and patented drive-end, the Flow MD line of provers provides superior design and functionality.



FMD007 Specifications

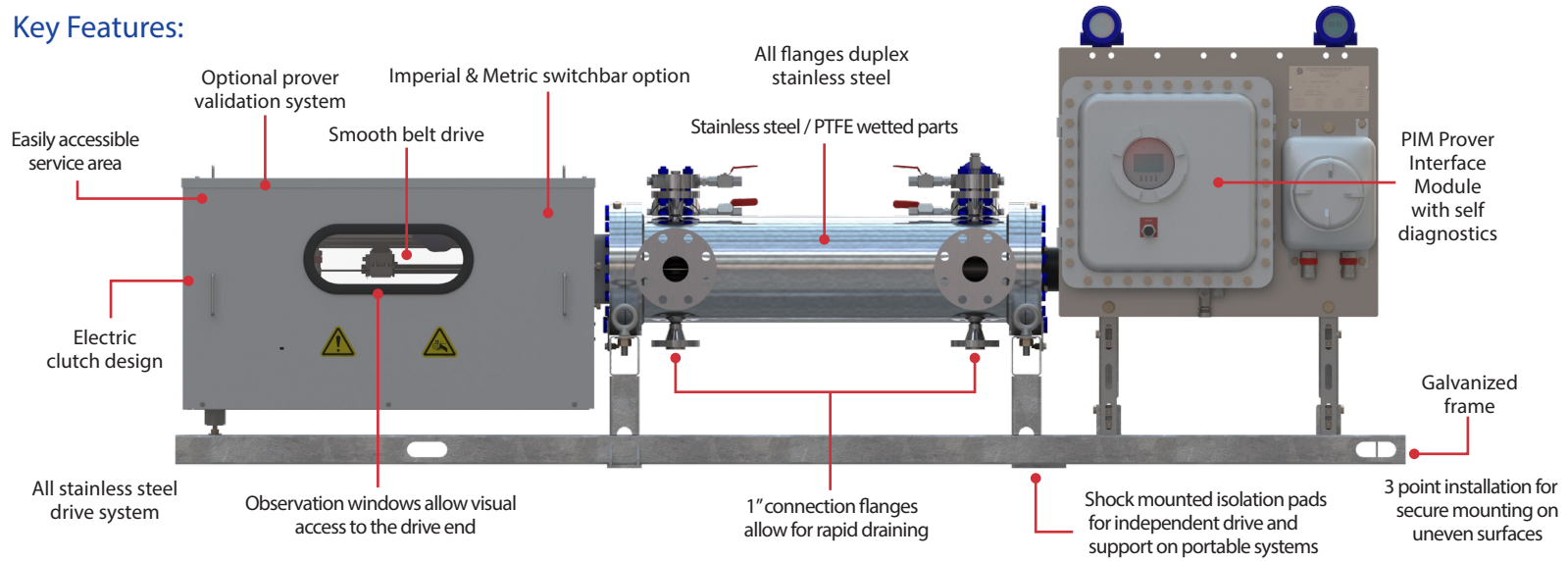
*Max Flow Rate	GPM	BPH	M ³ H	
	700	1000	150	
Displaced Volume	Gallons		*Liters	
	Primary	Secondary	Primary	Secondary
	5	4	19	15
Std Flange Size	3" ANSI			
Turndown	1200 : 1			

Approvals & Certifications

ISO	9001:2015 Cert# 0110-156-2, 17025:2005 Cert # L14240
EC	Mach Dir:2006/42/EC, EN 12100-2:2003, ATEX Directive 94/9/EC, EN 13463-1:2009, EN 13463-5:2003, EN 60079-0, EN 60079-7, EN 60079-11
CSA (US & Canada)	Class 3218 06, Class 1 Div 1 Group D; Class 1 Div 2 Group D / Clutch & Brake Assembly - EX m IIC T5
IECEX	USA /ETL/QAR 15.0014/00 , 101653329CRT-002
ABSA	CRN: OF1072.2

*Please contact FMD to verify prover sizing. Meter type, process fluid and operating conditions must be considered to properly size a prover.
 Please Note: Standard prover volume is in gallons, liters are optional. Prover requires non-standard switchbar for liters. Alternate displaced volumes are available for liters, please contact factory for additional information. * Liters are a direct conversion and not indicative of Seraphin can sizes.

Key Features:



Included in the Standard Prover Package

P.I.M Electronics Module



Vent Manifolds (2)

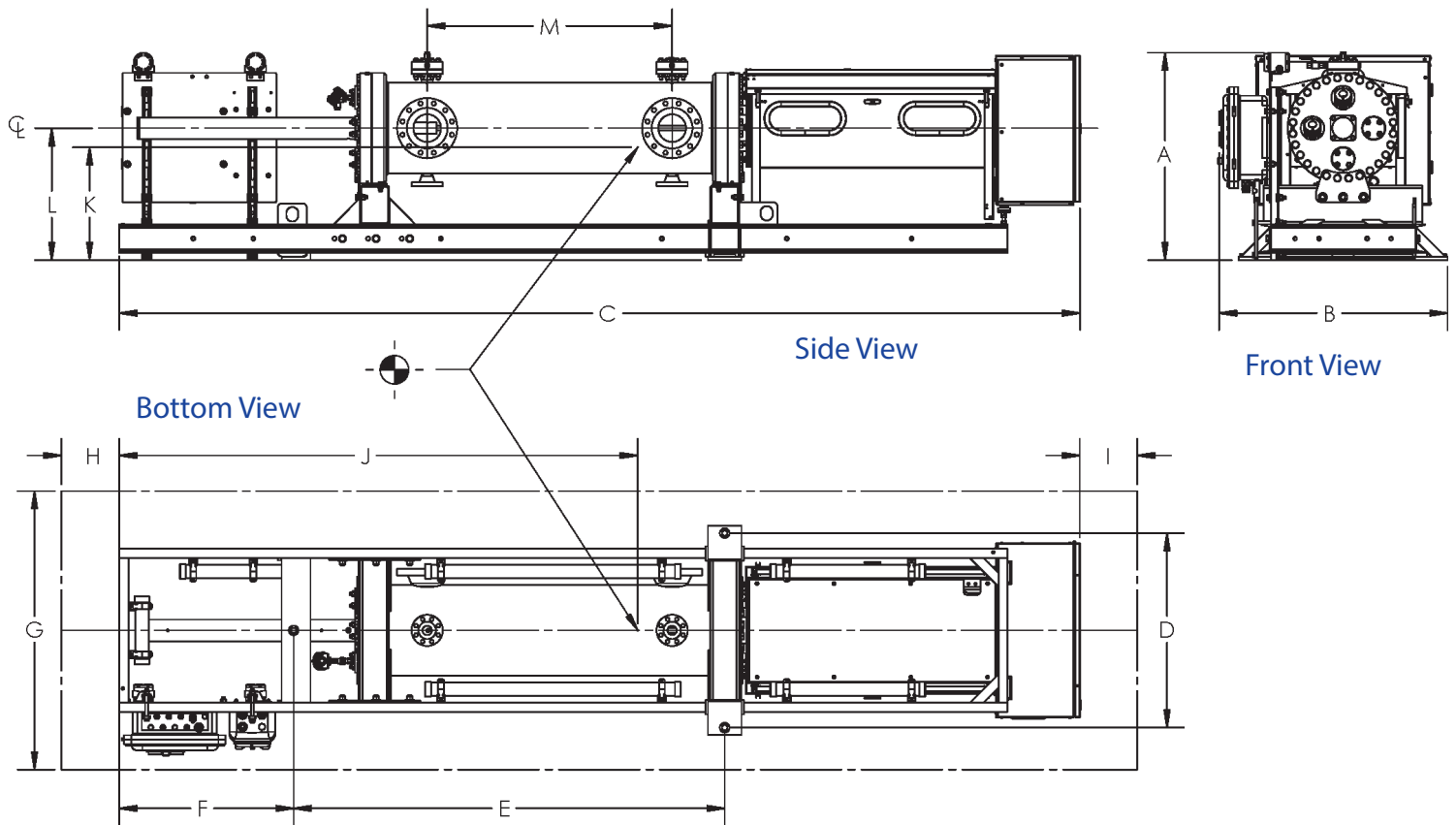


Electrical Connections



Check out FMD's Prover Options Brochure for additional options

"In pursuit of improving liquid and gas measurement technology"



Weights	Weight (+/- 10%)		Weight w/ Crate (+/-10%) LBS	Weight Filled w/ Water (+/- 10%) LBS
	LBS	KGS		
ANSI Pressure 150 #	1,730	790	2,130	1,830
ANSI Pressure 300 #	1,755	800	2,155	1,855
ANSI Pressure 600 #	1,780	810	2,180	1,880

Dimensions		A	B	C	D	E	F	G	H	I	J	K	L	M
Model	Pressure Rating													
FMD007	150/300/600 #	47	39	124	29	43	35	97	30	30	69	18	20	30

Drawing Notes:
 1. DIMENSIONS "J" AND "K" ARE FOR CENTER OF GRAVITY WITHIN 6 INCHES - 2. DIMENSIONS "A," "B" AND "C" ARE OVERALL DIMENSIONS - 3. SPACIAL DIMENSIONS HAVE A TOLERANCE OF +/- 1.00 INCHES - 4. DIMENSIONS "G," "H" AND "I" ARE FOR SERVICE ZONE - 5. ALL DIMENSIONS ARE SUBJECT TO CHANGE WITHOUT NOTICE

Energy Consumption	Motor Voltage/Phase Availability & Amperage Draw						
	Motor Size	Voltage /Phase	24 VDC	120 VAC	230 VAC 1ph	230 VAC 3ph	400 VAC 3 ph
.75 hp	Amperage Draw	28.2	10.6	5.3	3.2	CF	1.5

CF = Consult Factory



Contact Us Today to Discuss your Proving Application

Flow Management Devices, LLC

+1.602.233.9885 - F: 602.233.9887
 E: sales@flowmd.com - www.flowmd.com
 5225 S. 37th St # 4 - Phoenix, AZ 85040 USA