

FMD003

Data Sheet

Unidirectional Captive Displacement Prover



The Flow MD Unidirectional Captive Displacement Provers set the standard in small volume proving. With an innovative and patented drive-end, the Flow MD line of provers provides superior design and functionality.



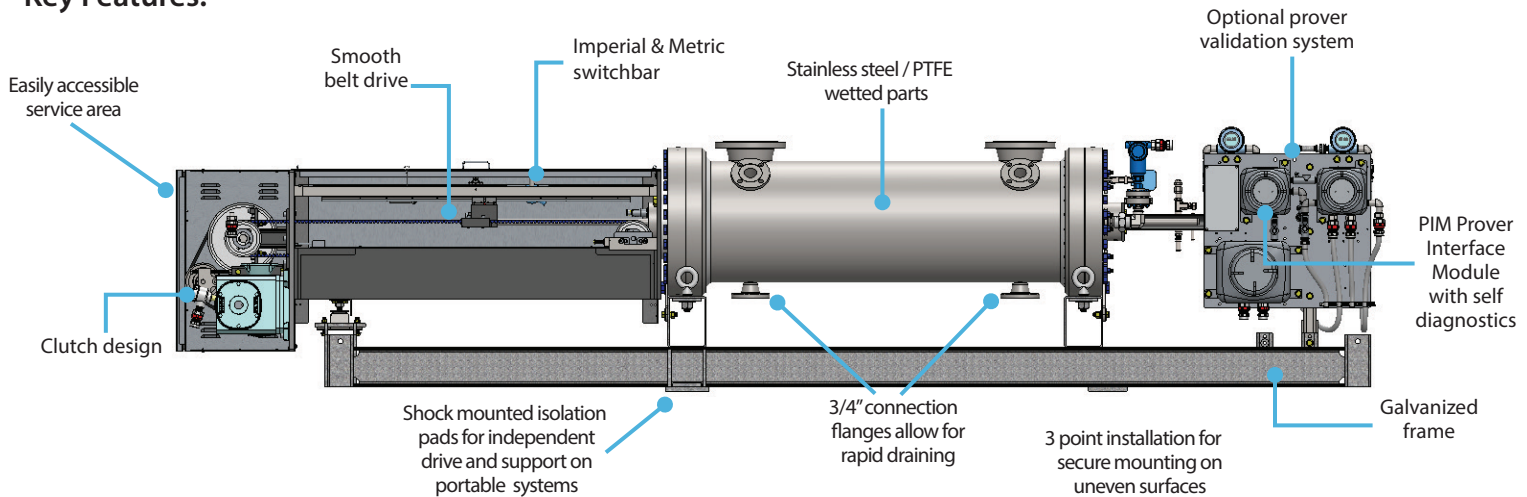
FMD003 Specifications

Max Flow Rate	GPM	BPH	M ³ H	
	300	428	68	
Displaced Volume	Gallons		Liters	
	Primary	Secondary	Primary	Secondary
	2	1	7	4
Std Flange Size	2" ANSI			
Turndown	1200 : 1			

Approvals & Certifications

ISO	9001:2008 Cert# 0110-156-2, 17025:2005 Cert # L14240
EC	Mach Dir:2006/42/EC, EN 12100-2:2003, ATEX Directive 94/9/EC, EN 13463-1:2009, EN 13463-5:2003, EN 60079-0, EN 60079-7, EN 60079-11
CSA (US & Canada)	Class 3218 06, Class 1 Div 1 Group D; Class 1 Div 2 Group D / Clutch & Brake Assembly - EX m IIC T5
IECEX	USA /ETL/QAR 15.0014/00 , 101653329CRT-002
ABSA	CRN: OF1072.2

Key Features:

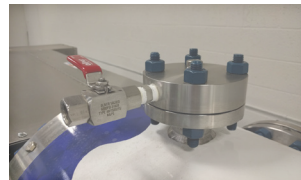


Included in Standard Prover Package

P.I.M Electronics Module



Vent Manifolds (2)



Electrical Connections



Check out the Prover Accessories Brochure for additional options

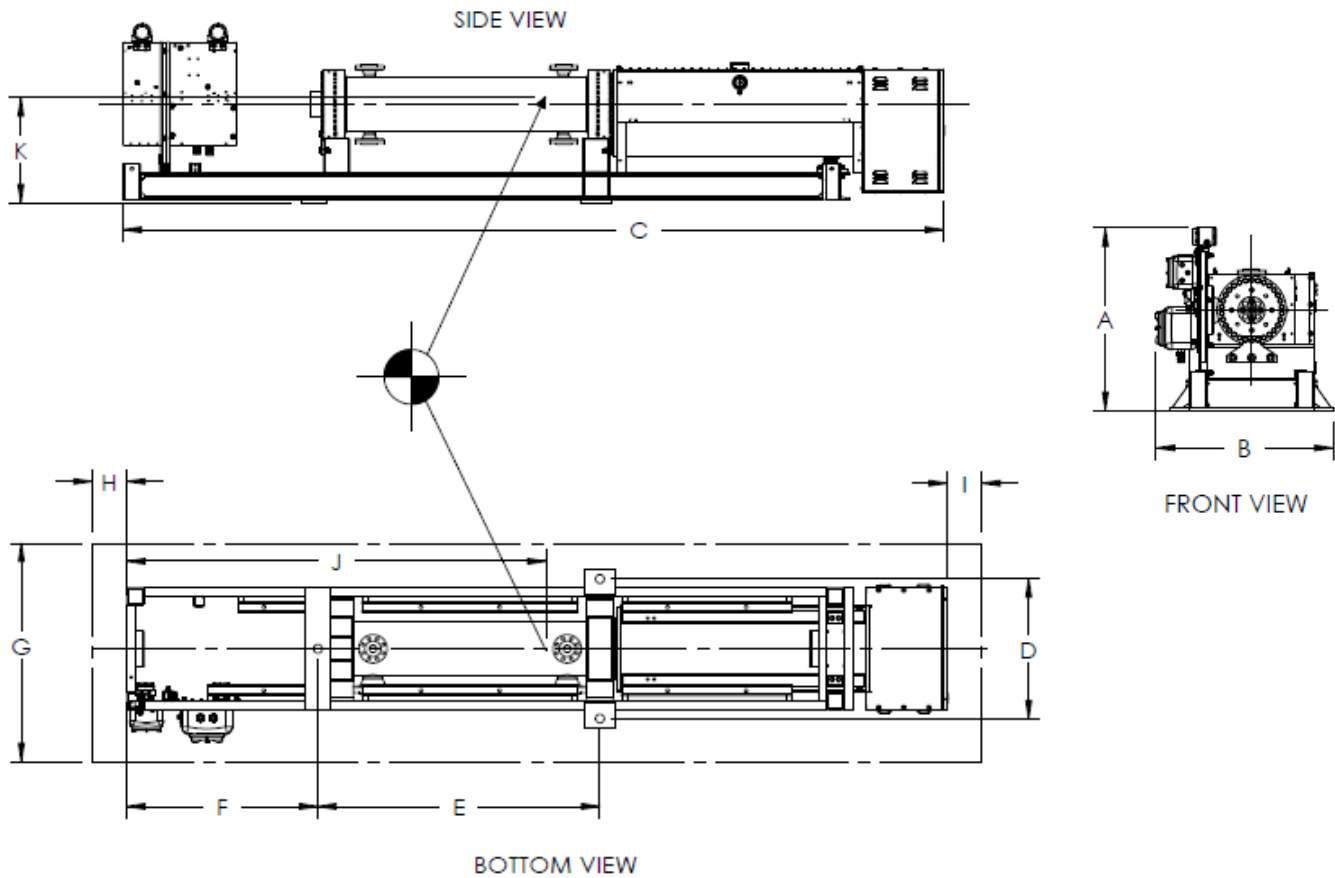
"In pursuit of improving liquid and gas measurement technology"

Flow Management Devices, LLC

+1.602.233.9885
 F: 602.233.9887
 E: sales@flowmd.com
 www.flowmd.com
 5225 S. 37th St # 4
 Phoenix, AZ 85040 USA

FMD003

Dimensional Drawings



Weights	Weight (+/- 5%)		Weight w/ Crate (+/- 5%) LBS	Weight Filled w/ Water (+/- 5%) LBS
	LBS	KGS		
ANSI Pressure 300 #	1,360	616	1,705	1,440
ANSI Pressure 600 #	1,368	620	1,713	1,450
ANSI Pressure 900 #	1,925	874	2,270	2,007

Dimensions		A	B	C	D	E	F	G	H	I	J	K
Model	Pressure Rating											
FMD003	150/300 #	38	32	97	29	33	19	97	30	30	56	17
FMD003	600/900 #	38	32	97	29	33	19	97	30	30	56	17

Drawing Notes:

1. DIMENSIONS "J" AND "K" ARE FOR CENTER OF GRAVITY WITHIN 6 INCHES
2. DIMENSIONS "A", "B" AND "C" ARE OVERALL DIMENSIONS
3. SPACIAL DIMENSIONS HAVE A TOLERANCE OF +/- 1.00 INCHES
4. DIMENSIONS "G", "H" AND "I" ARE FOR SERVICE ZONE
5. ALL DIMENSIONS ARE SUBJECT TO CHANGE WITHOUT NOTICE

Energy Consumption	Motor Voltage/Phase Availability & Amperage Draw							
	Motor Size	.5 hp	24 VDC	120 VAC	220 VAC	220 VAC 3 PHZ	240 VAC 3 PHZ	208/230 VAC 3 PHZ
		20	7.2 **	3.6**	3.2**	3.2**	3.2**	1.5***

* 50 Hz Operation Only ** 50 OR 60 Hz Operation *** 60 Hz Operation Only

