



LCD Cart
HHC7P2

Mobile Technology Workstations — Non-Powered



H Class LCD Cart HHC7P2

Model Number
HHC7P2-XX-YYYY-Z (w/ FSA-2)*

Worksurface Dimensions
20"D x 20"W

Base Dimensions
18"W x 20"D

Weight
50 lbs.

(XX = counterbalance system, YYYY = worksurface color, Z = accent color.
Refer to Non-Powered Spec Guide for more information)



Base

- Reference: **A18P** - Polished
- 18" Height Adjustment (28.5" - 46.5")
- 100mm Highly Mobile Rollerblade Casters (2 Locking/2 Non-Locking)
- 18"W x 20"D Footprint
- Height Adjustment Hand Lever

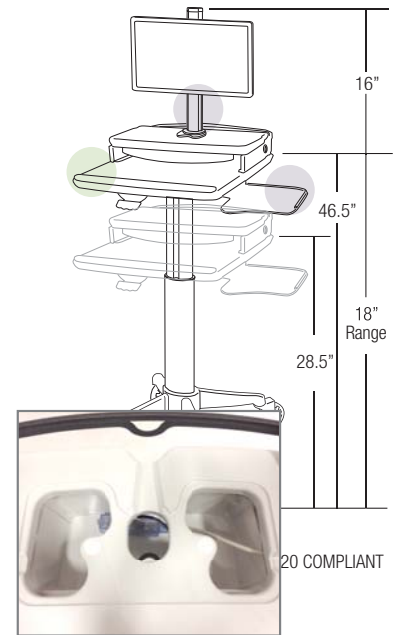
- ★ • Reference: **FSA-2**
Height adjustable. For LCD weights up to 15 lbs.

Worksurface

- Reference: **THB2020** (Dual Surface)
- 1" 3D Laminate -
Upper Surface: slope edge
Lower Surface: reversed tear drop edge
- Integrated Black Vinyl Palm Support

Accessory

- Reference: **CT** (Cord Tray)
- Reference: **SAM-3** (Swing A Mouse) 8"W x 9"D



Work Surface & Accent Colors



LCD Monitor Mount (FSA-2)



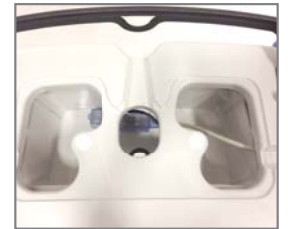
16" Height Adjustment, +/- 180° Rotation
+5/-15° Tilt with +/- 90° Swivel
VESA Std., 75mm or 100mm,
Weight Limit Not to exceed 15 lbs.

Cord Tray (CT)



16"W x 8"D x 5"H
Cable management for technology components and cables

Large Technology Storage Area



16"W x 8"D x 5"H
Clear acrylic cover included.

Maximize your efficiency. Our H Class Non-Powered Mobile Technology Workstations facilitate highly efficient interactions. Whatever the workflow requirements, Our H Class workstations are made to exceed requirements and built to last.

Multiple Options & Accessories (See Non-Powered Spec Guide for full listing)



BCH-9
Adjustable Bar Code Holder
Black Finish



UB-11
Utility Basket with Spacer
Platinum, Black Wrinkle or Ionic White Finish



HFH
Utility Basket
Platinum, Black Wrinkle or Ionic White Finish



CPC-3
Coiled Power Cord Holder
Hospital Grade - 3-Outlet
Grey Finish